

# FIO Series

## ► KL-90-A2.0

### Optical frontend (prism optics)

- Optical frontend for through-beam fiber optics D-S-A2.0-(2.5)-... (fiber optics available in various versions)
- Working distance typ. 20 mm ... 100 mm
- Can be focused
- High luminous efficacy
- Small mounting depth
- Scratch resistant glass optics
- Sturdy aluminum housing, anodized in black



Design

### Product name:

**KL-90-A2.0**

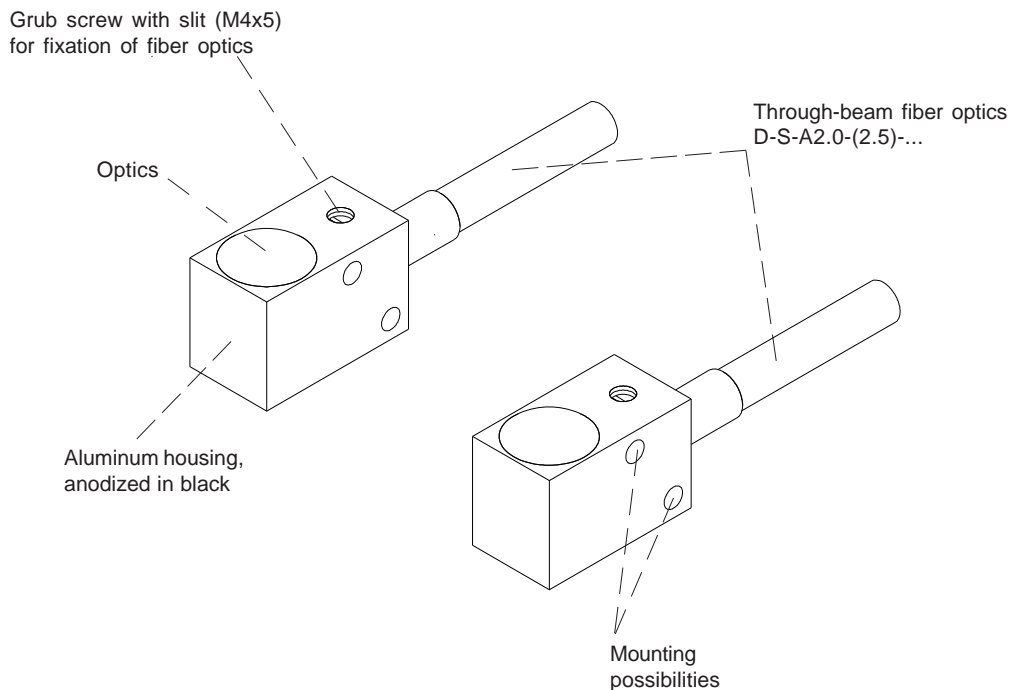
Suitable for fiber optics (please order separately):

**Through-beam fiber optics** (for through-beam fiber optics 2 pcs. KL-90-A2.0 are necessary)

D-S-A2.0-(2.5)-(length)-67°

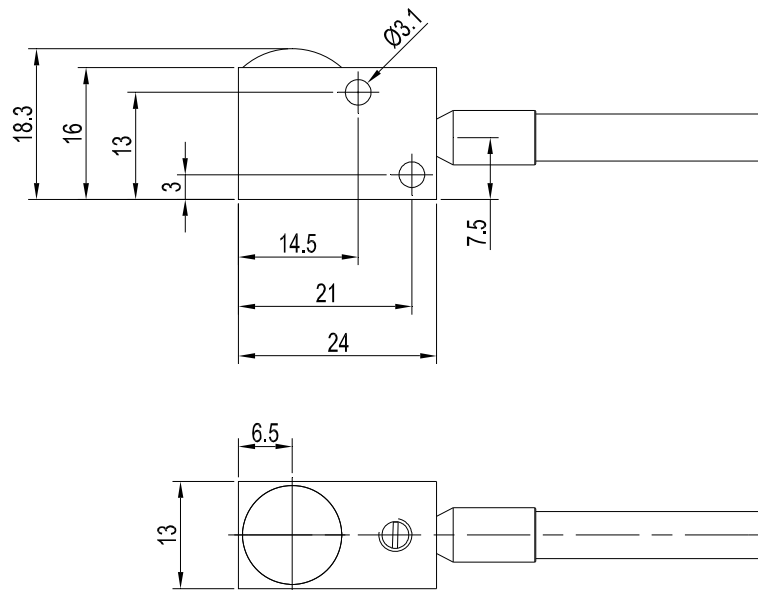
D-S-A2.0-(2.5)-(length)-22°

(standard lengths for fiber optics: 600 mm or 1200 mm)



Dimensions

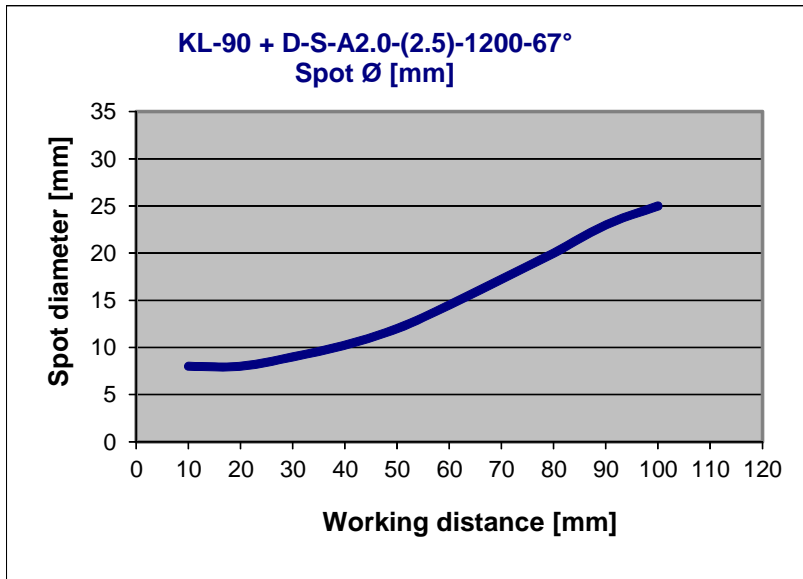
KL-90-A2.0



All dimensions in mm



Diagrams

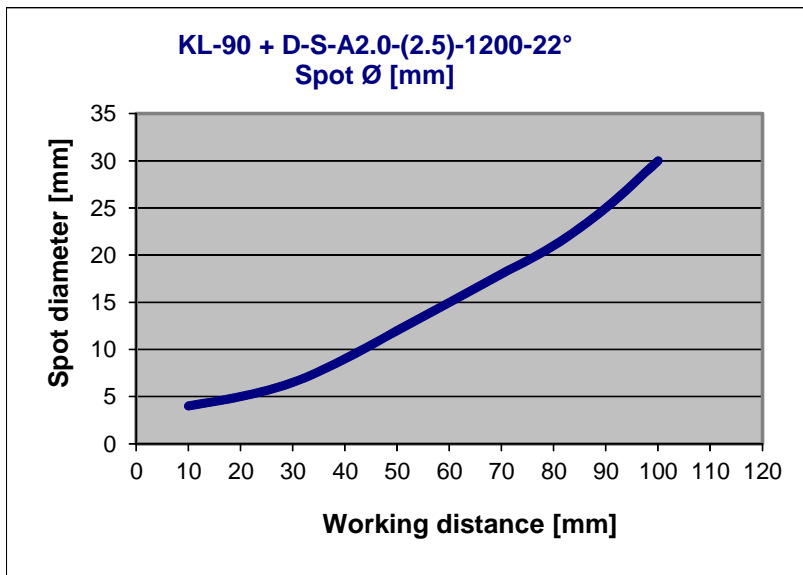


KL-90-A2.0 with D-S-A2.0-(2.5)-1200-67°:

**Spot diameter:**

8 mm (typ.) at working distance 10 mm  
 12 mm (typ.) at working distance 50 mm  
 25 mm (typ.) at working distance 100 mm

Max. distance transmitter/receiver = 400 mm  
 in case of optical transparent (bright) objects.



KL-90-A2.0 with D-S-A2.0-(2.5)-1200-22°:

**Spot diameter:**

4 mm (typ.) at working distance 10 mm  
 13 mm (typ.) at working distance 50 mm  
 30 mm (typ.) at working distance 100 mm

Max. distance transmitter/receiver = 400 mm  
 in case of optical transparent (bright) objects.