

# FIO Series

## ► KL-M18-XL-0°/(17°-60°)-30-M5.0

Angle-adjustable optical frontend for reflected light fiber optics T-S-M5.0-...

- Suitable for mounting of two reflected light fiber optics of type T-S-M5.0-... for operation with color sensors SPECTRO-3-FIO-...-XL
- Distance of fiber optics to measuring object: 30 mm
- With T-S-M5.0-(2.5)-...-67°: Spot size at distance 30 mm: typ. Ø 1 mm
- With T-S-M5.0-(5.0)-...-67°: Spot size at distance 30 mm: typ. Ø 2 mm
- Angle between transmitter and receiver fiber optics adjustable from 17° to 60°
- Focus adjustable on the transmitter side
- Sturdy aluminum housing, anodized in black



Design

### Product name:

**KL-M18-XL-0°/(17°-60°)-30-M5.0**

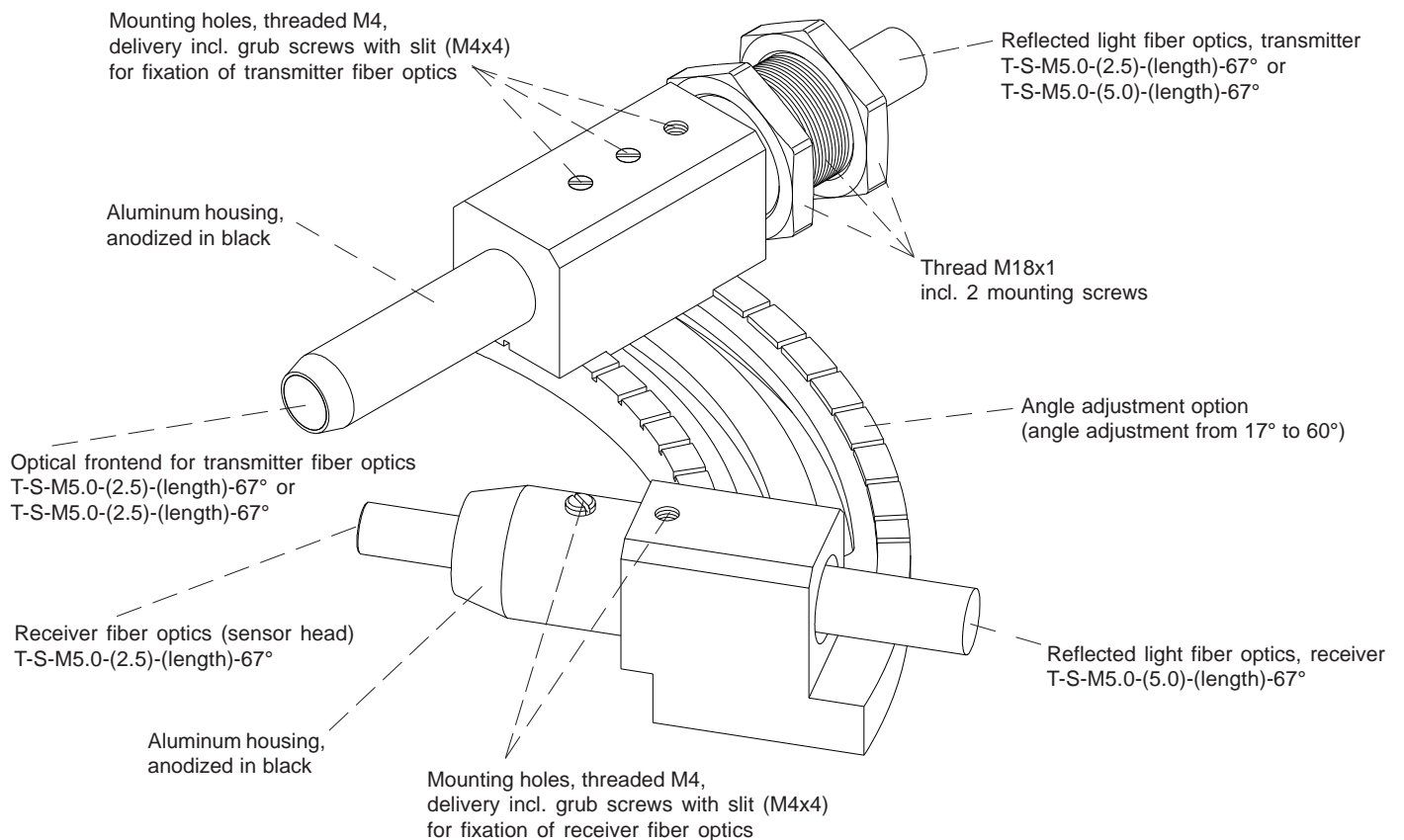
Suitable for mounting of two reflected light fiber optics (please order separately):

#### Reflected light fiber optics

T-S-M5.0-(2.5)-(length)-67° (transmitter) + T-S-M5.0-(5.0)-(length)-67° (receiver) or

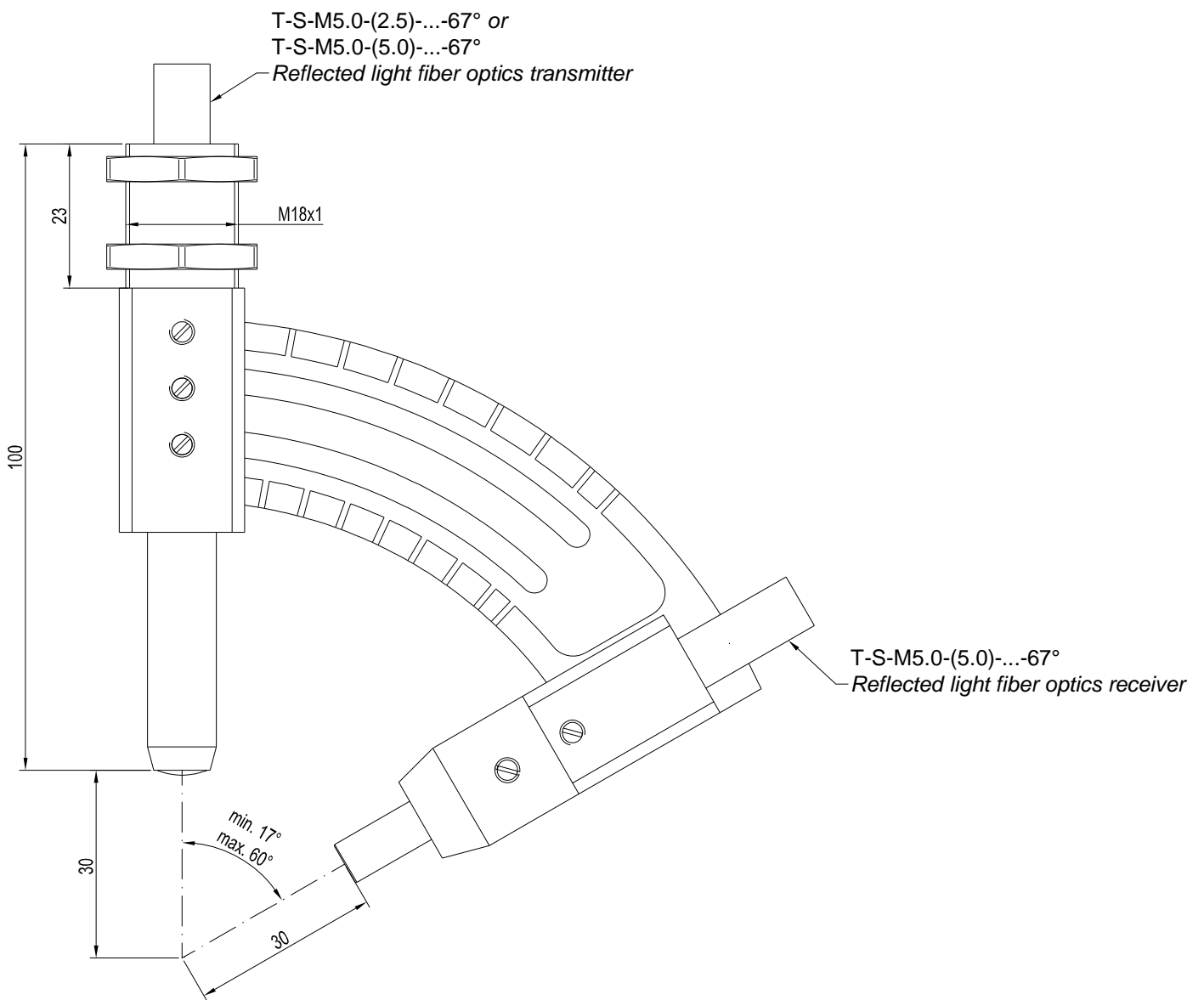
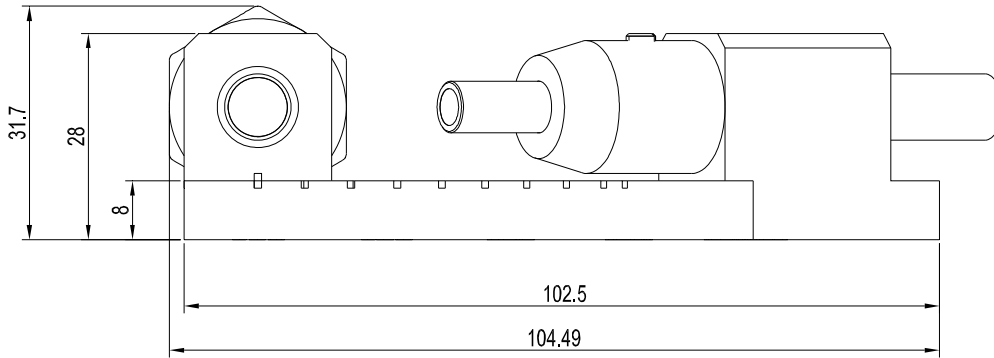
T-S-M5.0-(5.0)-(length)-67° (transmitter) + T-S-M5.0-(5.0)-(length)-67° (receiver)

(standard lengths of fiber optics: 1200 mm, 2000 mm, 3000 mm, 4000 mm, 5000 mm, 10000 mm)



**Sensor Instruments**

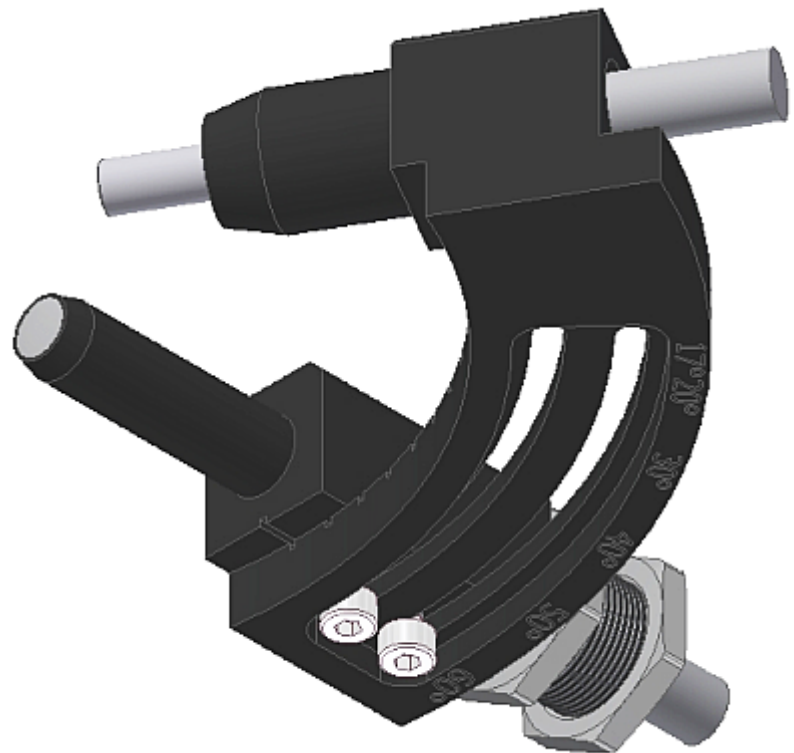
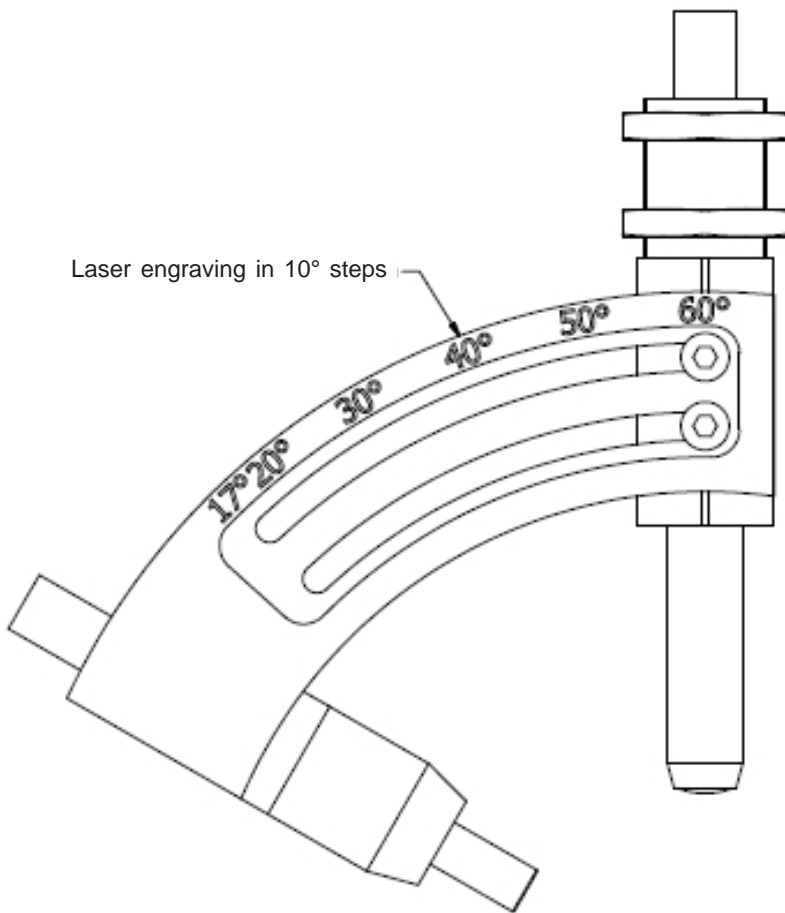
Dimensions



All dimensions in mm



Angle Adjustment





Fiber Optics

**Reflected light fiber optics**

**suitable for use with color sensors SPECTRO-3-FIO-ANA-XL and SPECTRO-3-FIO-JR-XL**

(please order fiber optics separately)

**T-S-M5.0-(2.5)-(length)-67° or****T-S-M5.0-(5.0)-(length)-67°**

**(for use at transmitter side of color sensor)**

T = Reflected light operation  
 S = Silicone metal sheath  
 M5.0-(2.5) = Sensor head type M5.0 with fiber bundle Ø 2.5 mm (on both sides)  
 M5.0-(5.0) = Sensor head type M5.0 with fiber bundle Ø 5.0 mm (on both sides)  
 length = 1200 / 2000 / 3000 / 4000 / 5000 / 10000 = Total length in mm  
 (please choose the required length)  
 67° = Beam opening angle

**T-S-M5.0-(5.0)-(length)-67°**

**(for use at receiver side of color sensor)**

T = Reflected light operation  
 S = Silicone metal sheath  
 M5.0-(5.0) = Sensor head type M5.0 with fiber bundle Ø 5.0 mm (on both sides)  
 length = 1200 / 2000 / 3000 / 4000 / 5000 / 10000 = Total length in mm  
 (please choose the required length)  
 67° = Beam opening angle