

FIO Series (Accessories)

► MOUNT-A3.0-40°-20

Mounting bracket for transmitted light fiber optics with sensor head type D-S-A3.0-...

- For mounting and optimum alignment of a transmitted light fiber optics type D-S-A3.0-...
- Angle of incidence 40° (2x 20° to the vertical) at a distance of 20 mm to the object measured from outer housing edge
- Fixation of the fiber optics by means of plastic screws
- Various mounting possibilities
- Sturdy aluminum housing, anodized in black
- Gloss control of very glossy surfaces

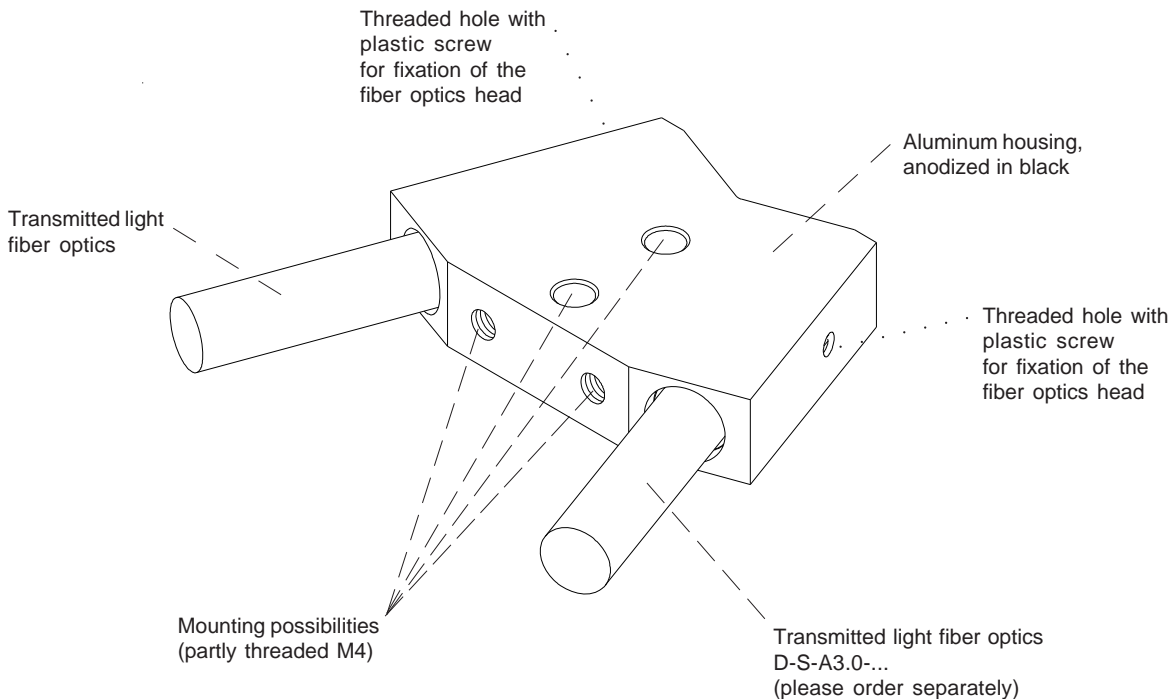


Design

Product name:

MOUNT-A3.0-40°-20 (suitable for transmitted light fiber optics D-S-A3.0-...)
(formerly: KL-20/20°-A3.0)

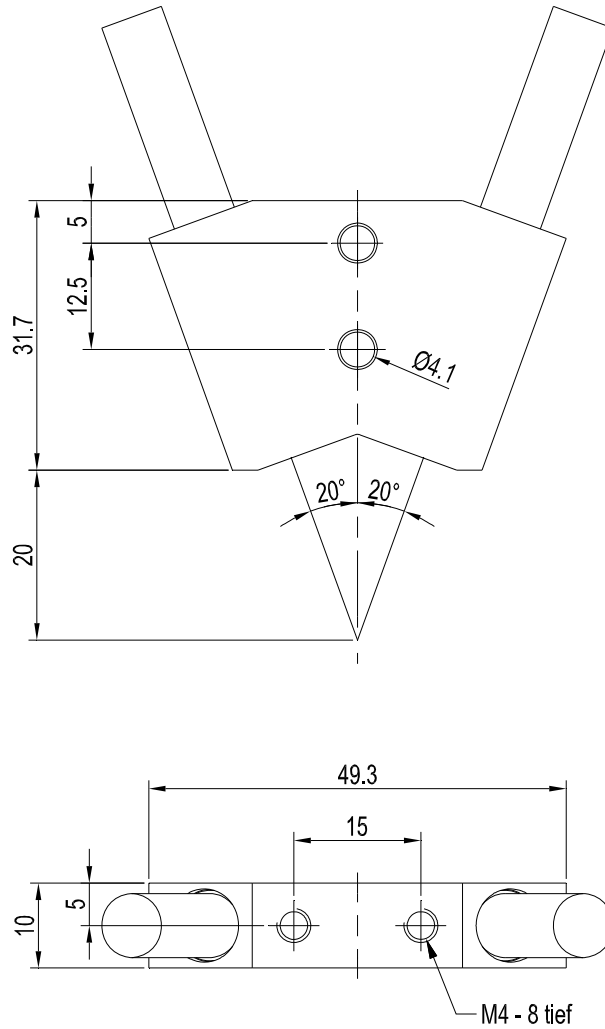
Please order fiber optics separately,
for further information please cf. catalog „FIO Series“





Dimensions

MOUNT-A3.0-40°-20



All dimensions in mm