

# Accessories

## ▶ A3.0-OFL

Offline unit (spacer) for reflected light fiber optics with sensor head type A3.0

Frontend for the targeted, insensitive to ambient light installation of the optical fiber R-S-A3.0-(3.0)-... onto an object.

- Plane installation on the object
- Easy mounting onto fiber optics by means of threaded pin
- Aluminum housing, anodized

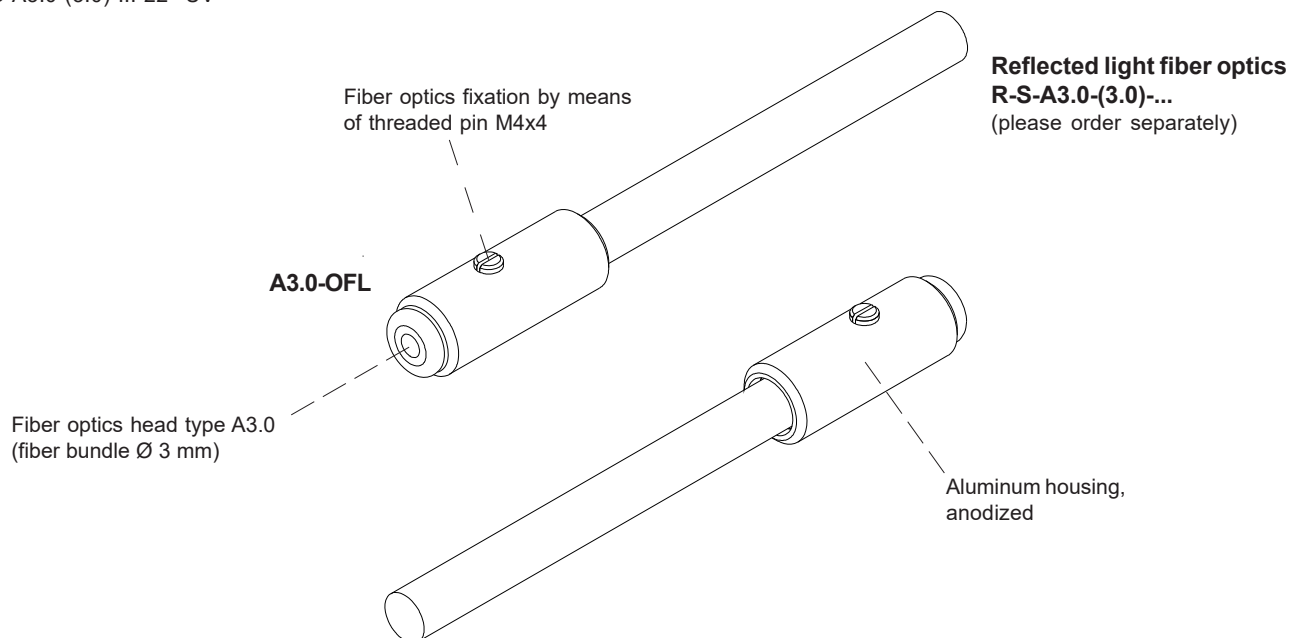


Design

### Product name:

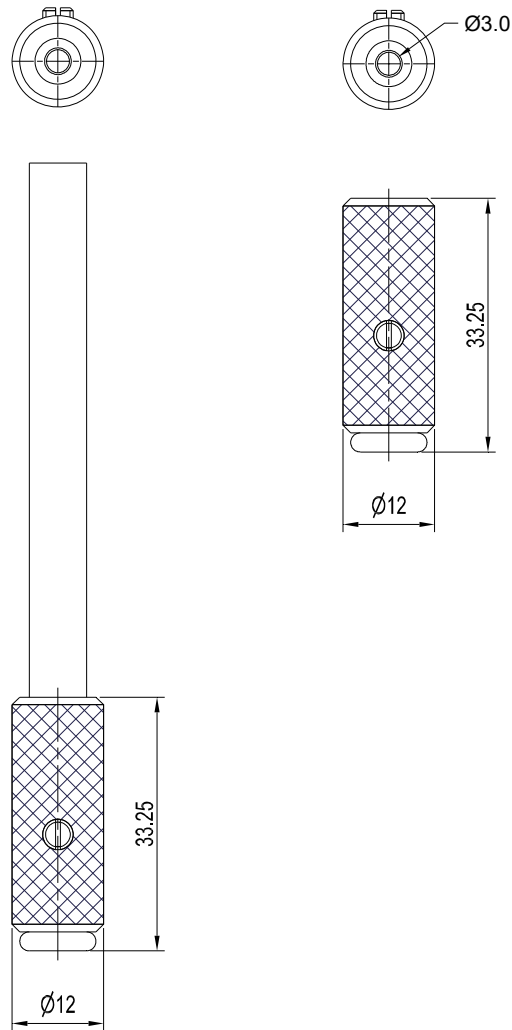
**A3.0-OFL** (offline unit for fiber optics type A3.0)

For use with reflected light fiber optics  
R-S-A3.0-(3.0)-...-67° or  
R-S-A3.0-(3.0)-...-22° or  
R-S-A3.0-(3.0)-...-22°-UV





Abmessungen



(Alle Abmessungen in mm)

