

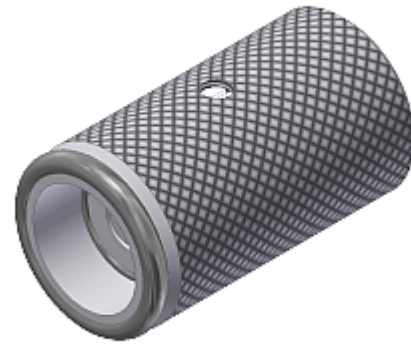
Accessories

▶ A3.0-OFL-D14/6

Offline unit (spacer) for reflected light fiber optics with sensor head type A3.0

Frontend for the targeted, insensitive to ambient light installation of the optical fiber R-S-A3.0-(3.0)-... onto an object.

- Plane installation on the object
- Opening \varnothing 14 mm
- Offset 6 mm inwards from fiber optics to measuring object
- Easy mounting onto fiber optics by means of threaded pin
- Aluminum housing, anodized

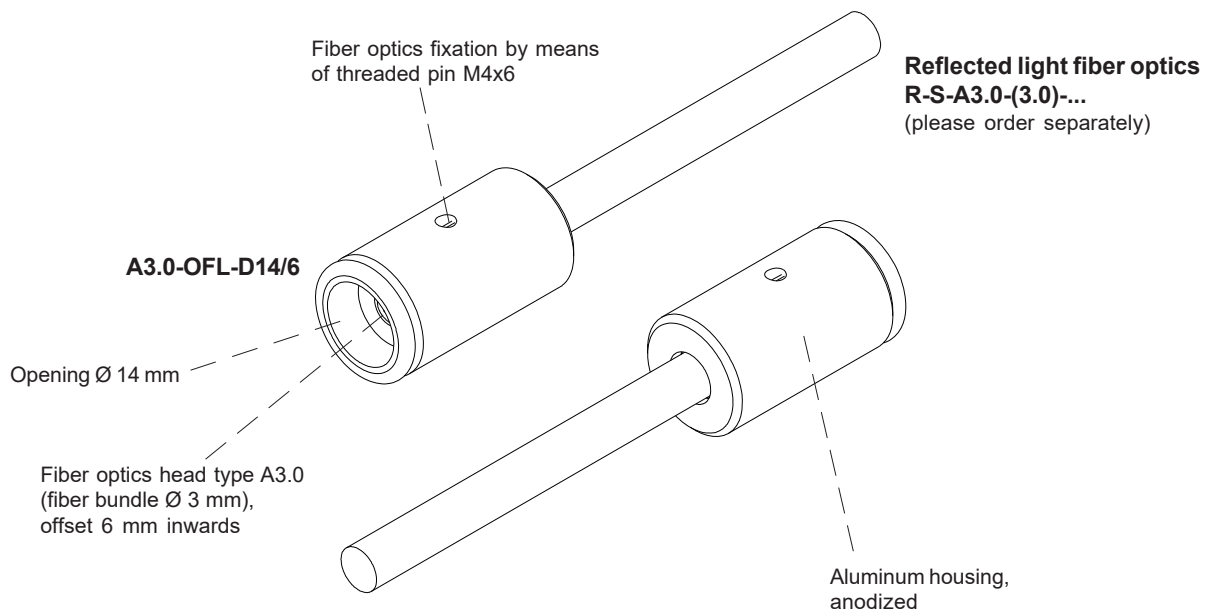


Design

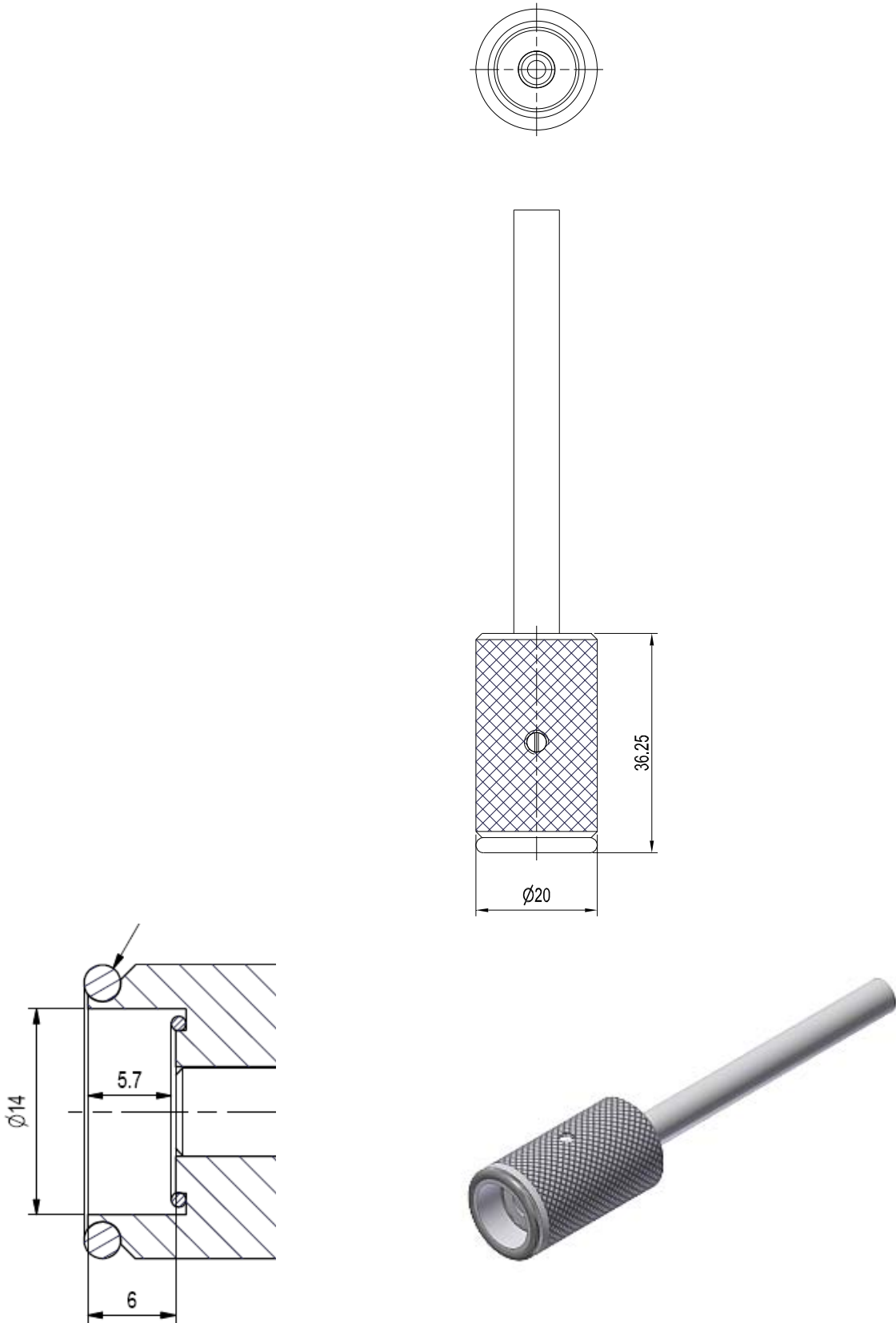
Product name:

A3.0-OFL-D14/6 (offline unit for fiber optics type A3.0)

For use with reflected light fiber optics
R-S-A3.0-(3.0)-...-67° or
R-S-A3.0-(3.0)-...-22° or
R-S-A3.0-(3.0)-...-22°-UV



Dimensions



(All dimensions in mm)