

Accessories

▶ **A3.0-OFL-SHIFT**

Offline unit (spacer) for reflected light fiber optics with sensor head type A3.0 with possibility to shift

Frontend for the targeted, insensitive to ambient light installation of the optical fiber R-S-A3.0-(3.0)-... onto an object.

- Plane installation on the object
- Possibility of shifting the fiber optics head inside the offline unit
- Easy mounting onto fiber optics by means of threaded pin
- Aluminum housing, anodized

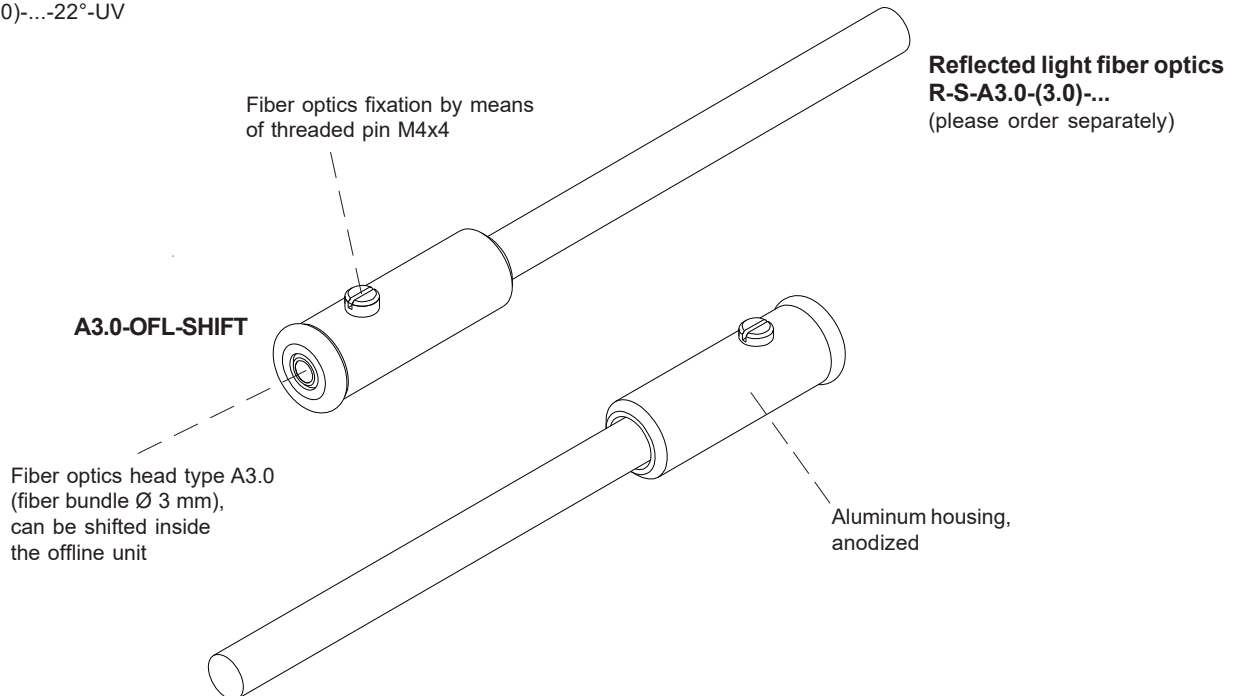


Design

Product name:

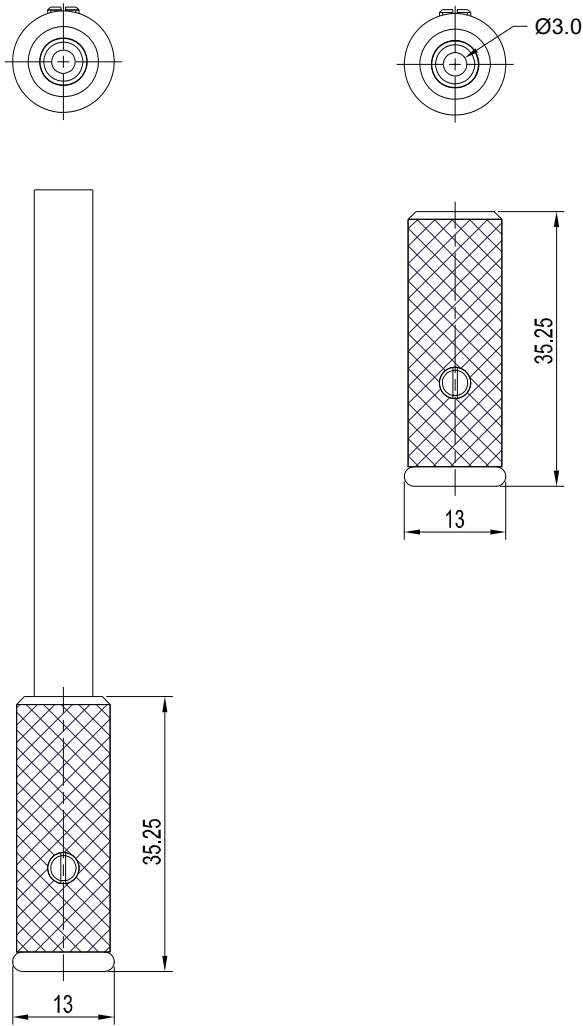
A3.0-OFL-SHIFT (offline unit for fiber optics type A3.0)

For use with reflected light fiber optics
R-S-A3.0-(3.0)-...-67° or
R-S-A3.0-(3.0)-...-22° or
R-S-A3.0-(3.0)-...-22°-UV





Dimensions



(All dimensions in mm)

