

FIO Series

► KL-8-OFL

Top-part for eliminating the effects of extraneous light, suitable for optical frontend KL-8-R2.1 in connecting with a reflected light fiber optics R-S-R2.1-(6x1)-...

- Enables targeted, insensitive to extraneous light placing of the KL-8-R2.1 optics to the measurement object
- Opening diameter 14 mm
- Aluminum housing, anodized in black
- Easy mounting on the optical frontend KL-8-R2.1

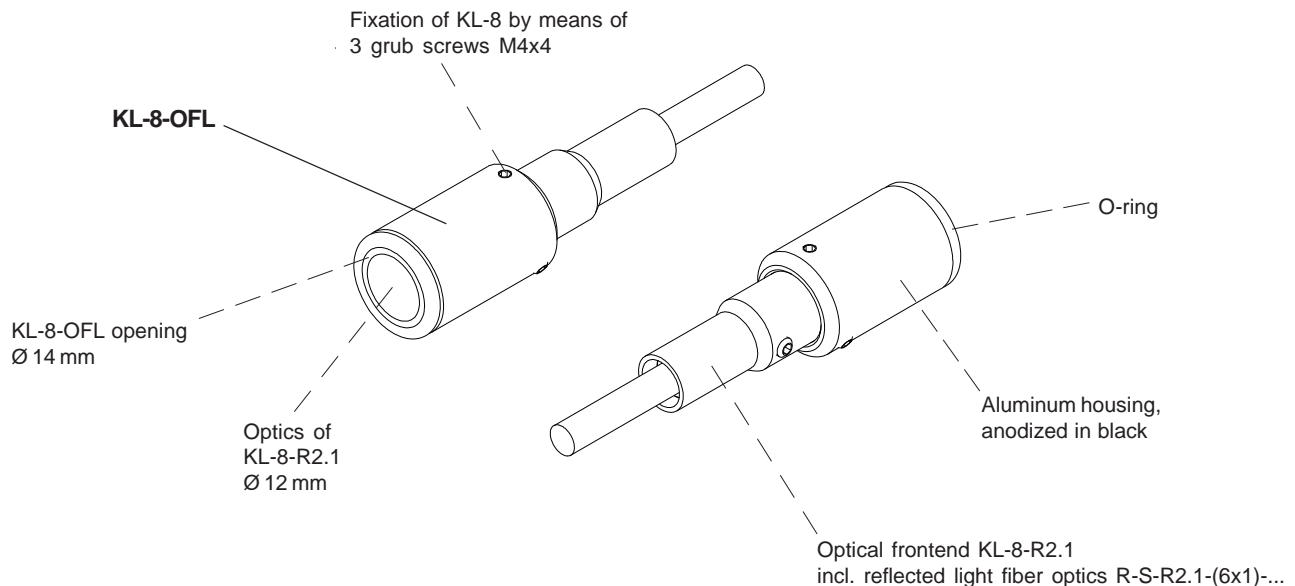


Design

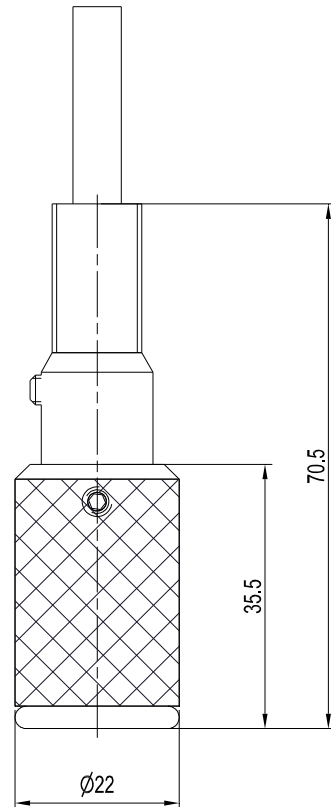
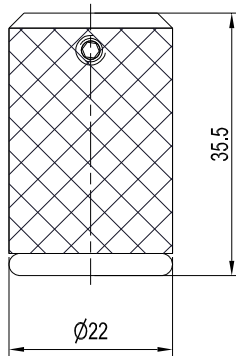
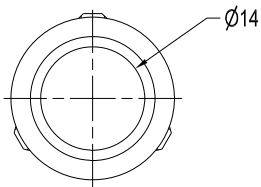
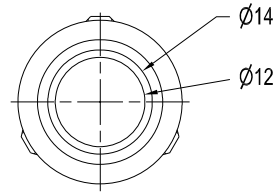
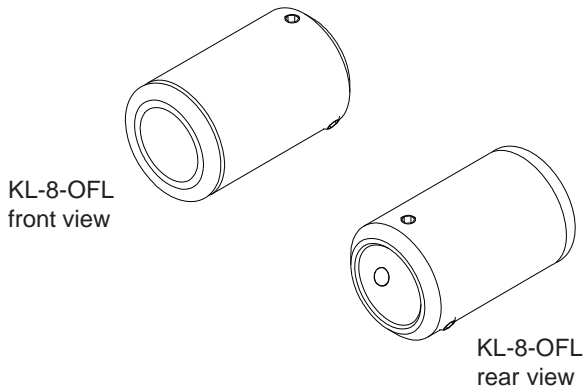
Product name:

KL-8-OFL (top-part for eliminating extraneous light)

for use with optical frontend KL-8-R2.1
in connection with a reflected light fiber optics
R-S-R2.1-(6x1)-...



Dimensions



All dimensions in mm



KL-8-OFL



KL-8-OFL

mounted on optical frontend KL-8-R2.1
with reflected light fiber optics R-S-R2.1-(6x1)-...