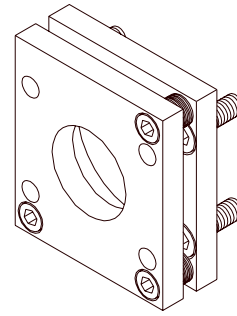


Accessories

▶ FL-12

Mounting flange for digital laser light barriers of type D-LAS2

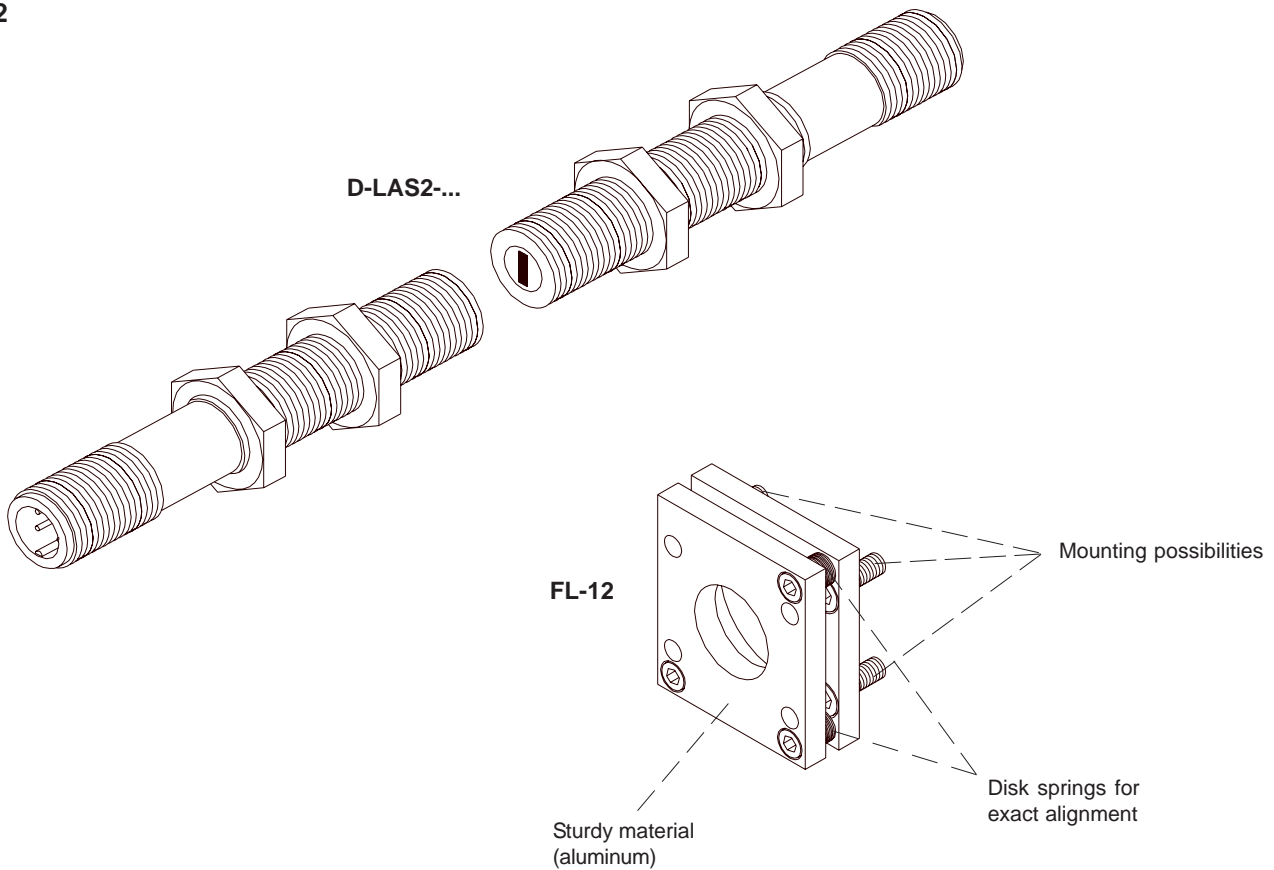
- Exact alignment by means of disk springs
- Sturdy material (aluminum)



Design

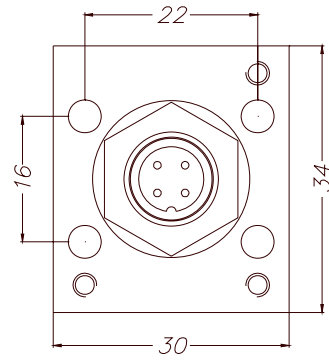
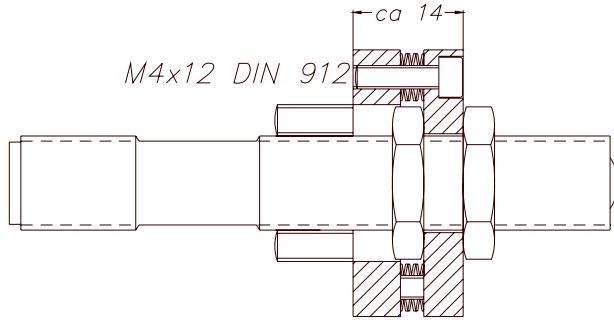
Product name:

FL-12





Dimensions



(All dimensions in mm)