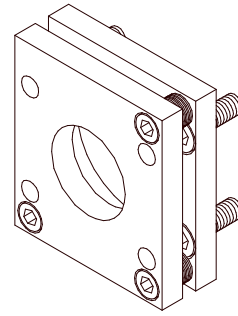


Assessories

▶ **FL-8** Mounting flange for digital laser light barriers of type D-LAS3

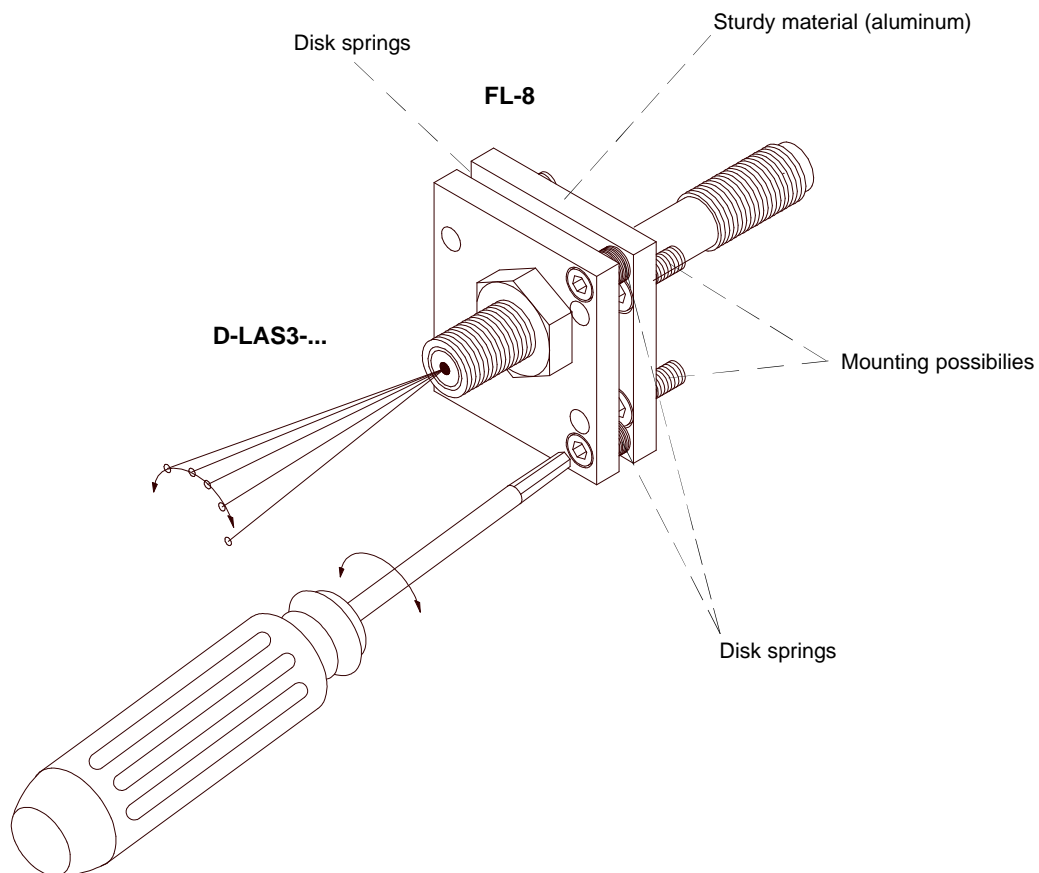
- Exact alignment by means of disk springs
- Sturdy material (aluminum)



Design

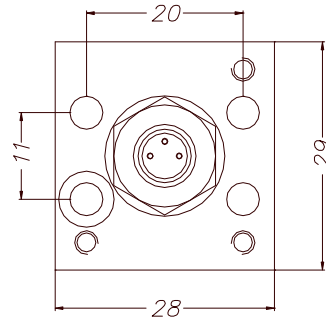
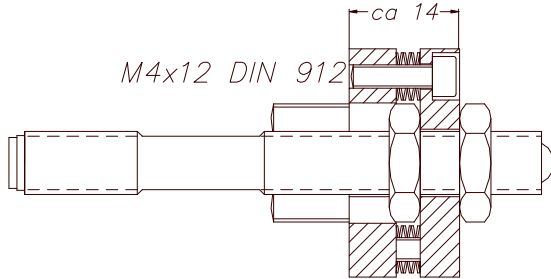
Product name:

FL-8





Dimensions



(All dimensions in mm)