

Accessories

▶ FL-90

Mounting flange for digital laser light barriers of type D-LAS90 or analog laser light barriers of type A-LAS-90

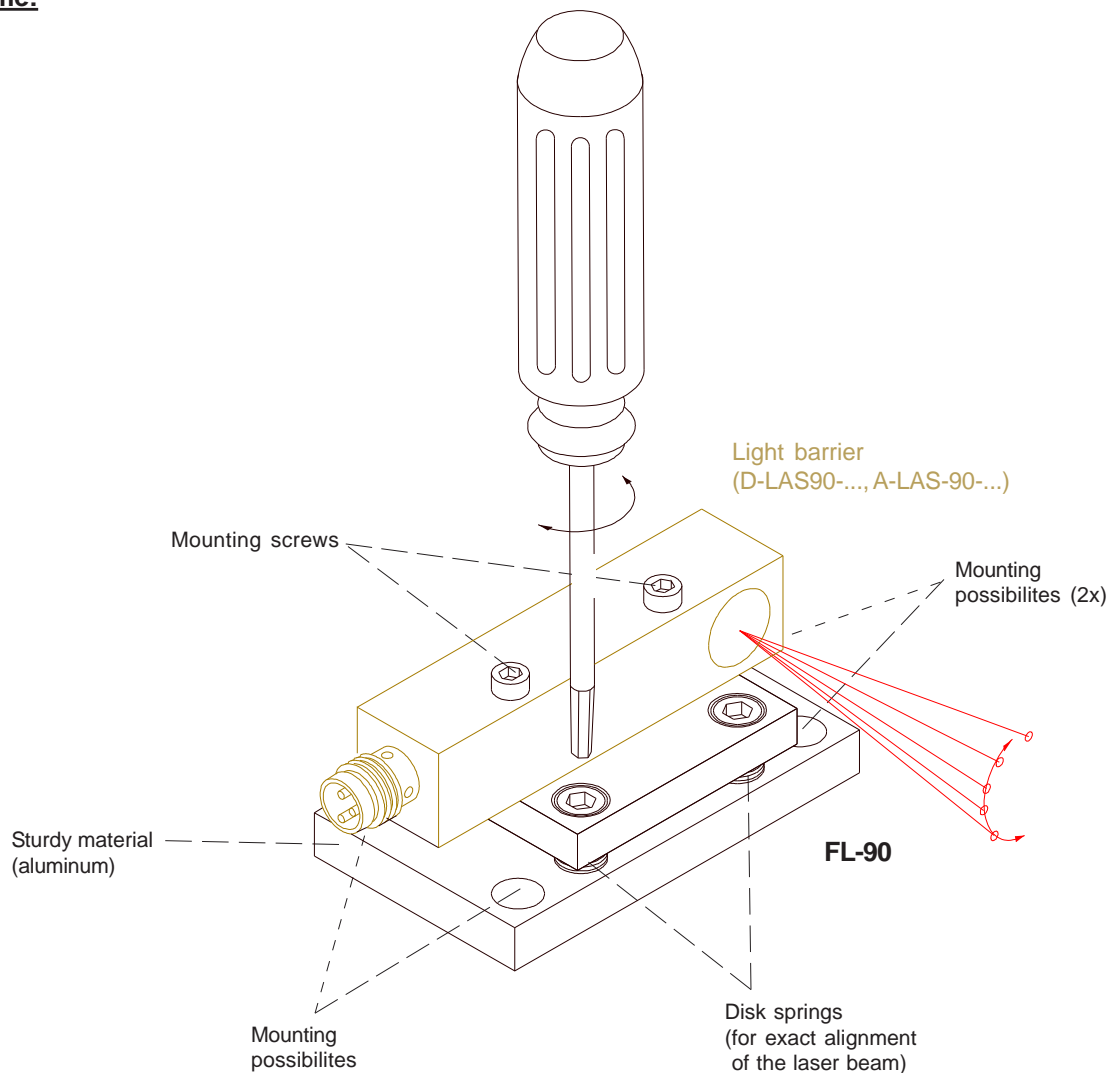
- Adjusting possibility of laser beam in vertical direction
- Exact alignment of laser beam by means of disk springs
- Sturdy material (aluminum)



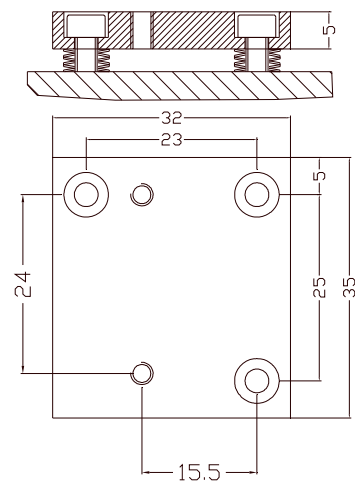
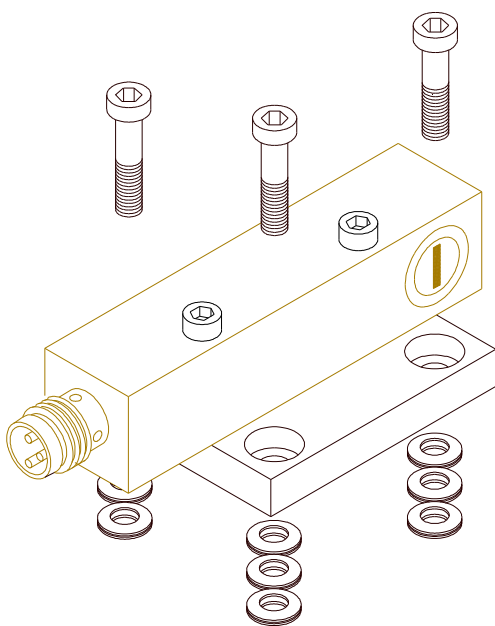
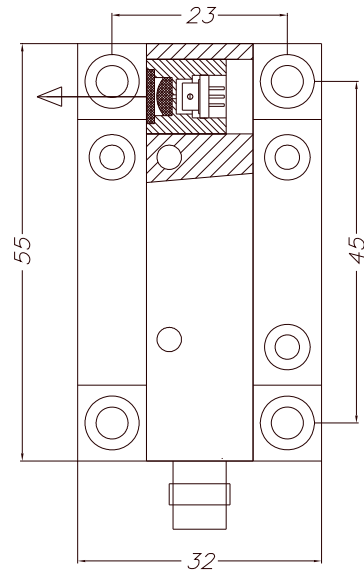
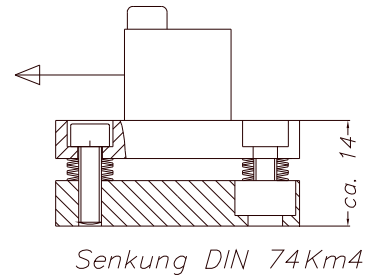
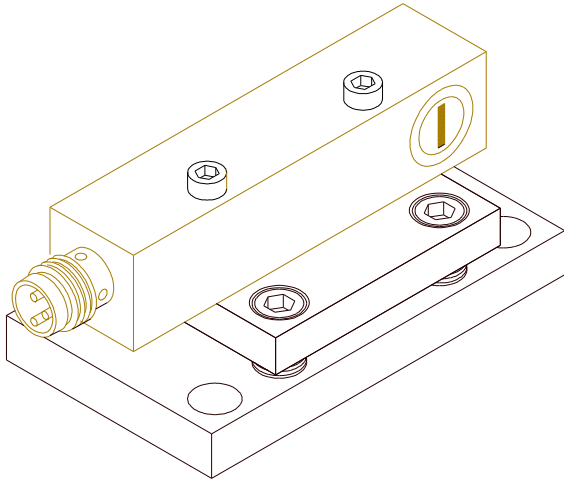
Design

Product name:

FL-90
(Flat flange)



Dimensions



(All dimensions in mm)