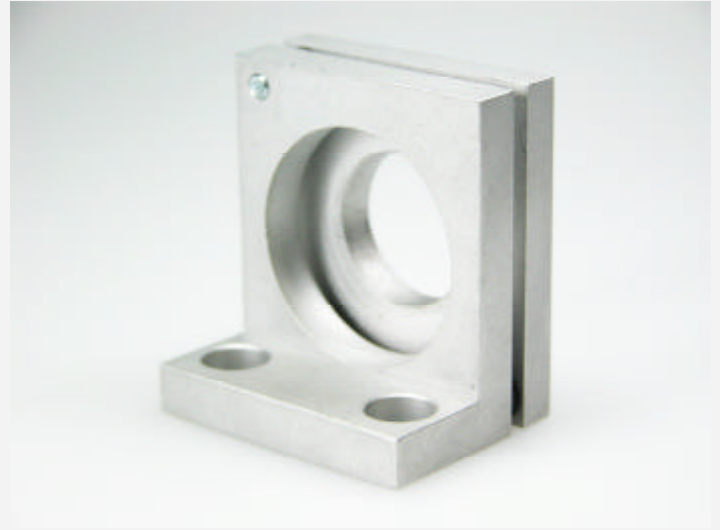


Accessories

▶ WFL-18

Mounting flange (angle type 90°) for digital laser light barriers of type D-LAS1

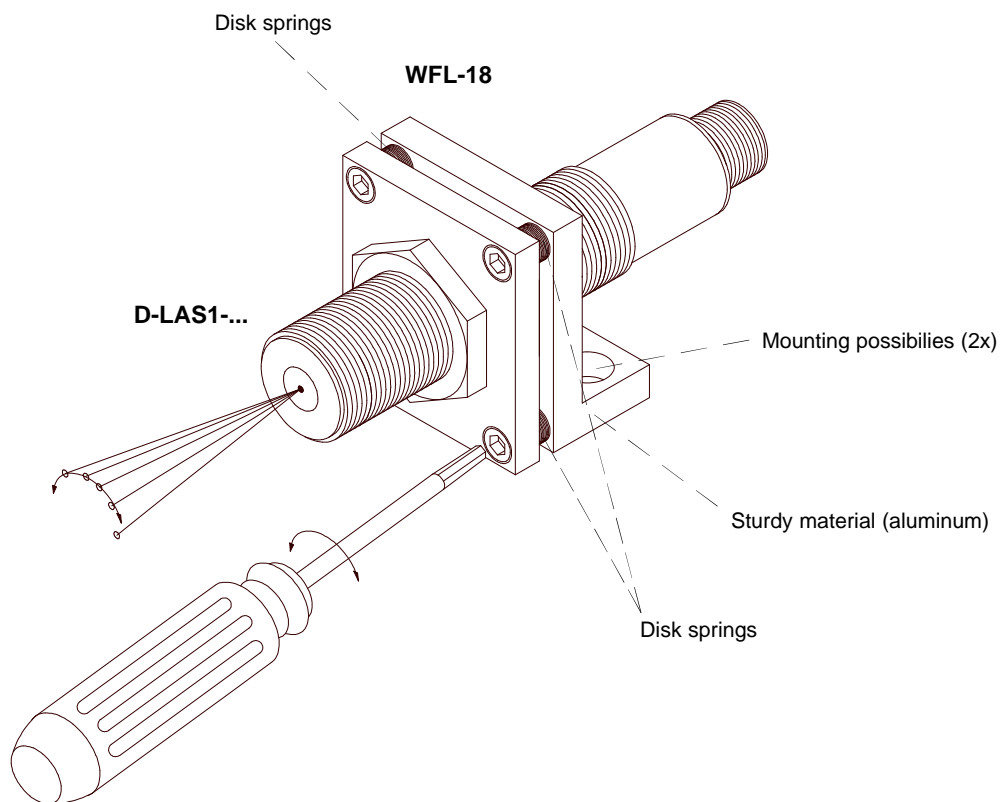
- Exact alignment by means of disk springs
- Sturdy material (aluminum)



Design

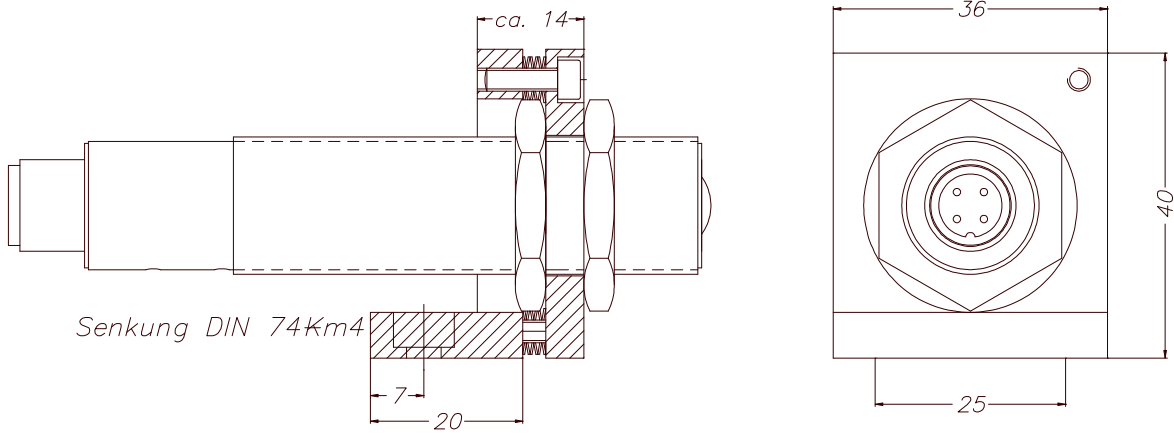
Product name:

WFL-18





Dimensions



(All dimensions in mm)