

Accessories

▶ FLB-TRA-...

Mounting rail for split frame light barriers
FLB-F2-... or FLB-F2-...-HS

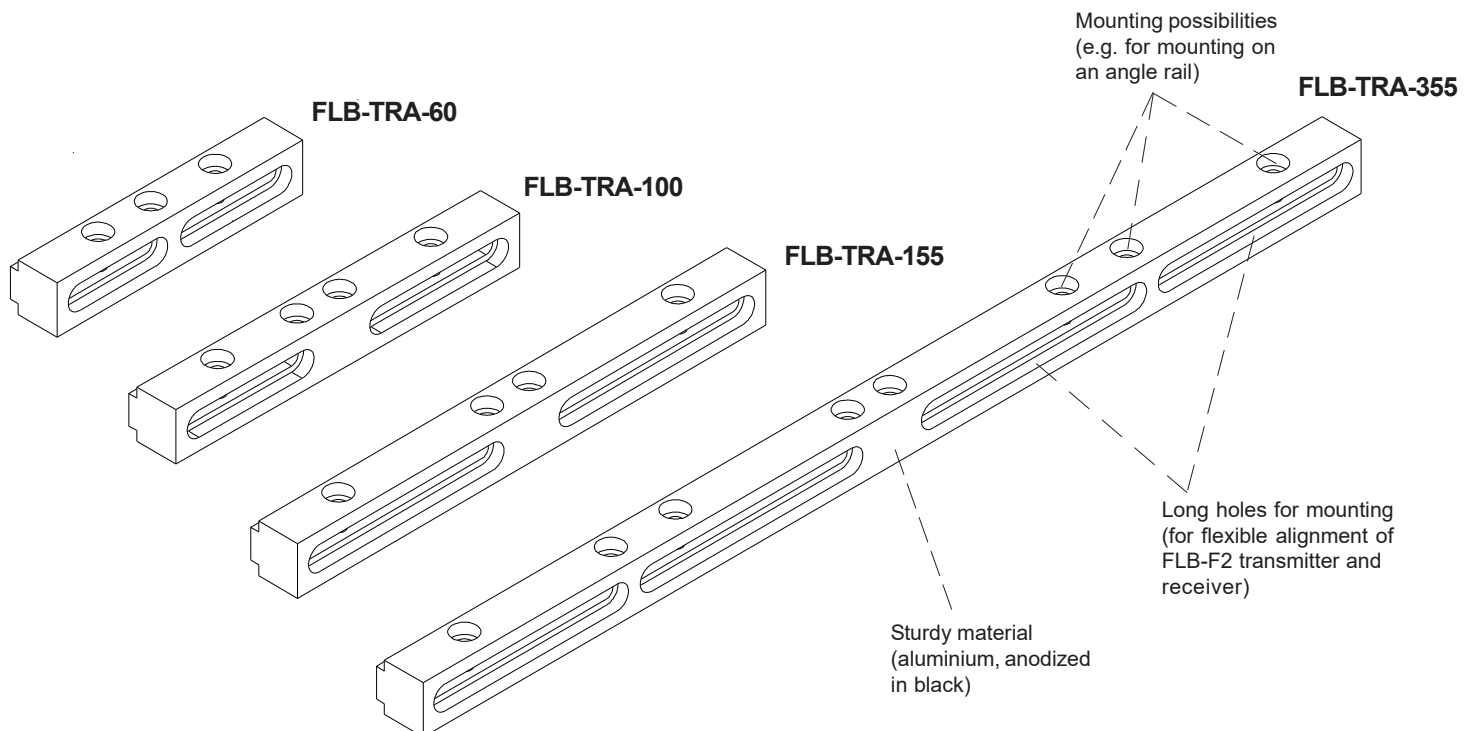
- Various lengths available
- Transmitter/receiver distance up to 755 mm
- Optimal alignment of the FLB-F2 transmitter and receiver by means of long holes
- Mounting holes for fixing FLB-F2 transmitter and receiver and for mounting of the complete unit
- Sturdy material (aluminum, black anodized)



Design

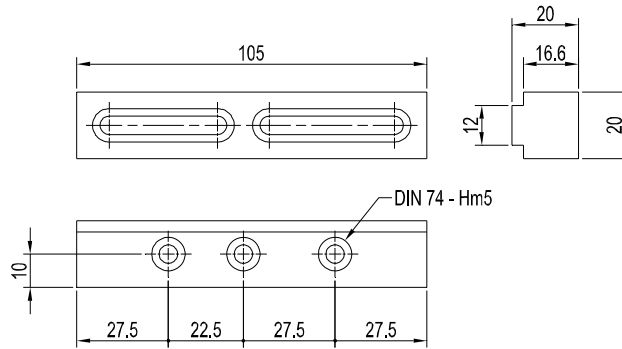
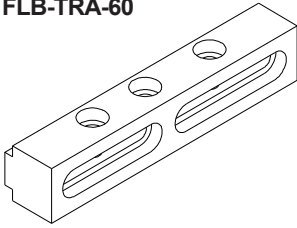
Product name:

FLB-TRA-60	max. 60 mm distance transmitter/receiver (total length of mounting rail = 105 mm)
FLB-TRA-80	max. 80 mm distance transmitter/receiver (total length of mounting rail = 125 mm)
FLB-TRA-100	max. 100 mm distance transmitter/receiver (total length of mounting rail = 145 mm)
FLB-TRA-155	max. 155 mm distance transmitter/receiver (total length of mounting rail = 205 mm)
FLB-TRA-355	max. 355 mm distance transmitter/receiver (total length of mounting rail = 400 mm)
FLB-TRA-555	max. 555 mm distance transmitter/receiver (total length of mounting rail = 600 mm)
FLB-TRA-755	max. 755 mm distance transmitter/receiver (total length of mounting rail = 800 mm)

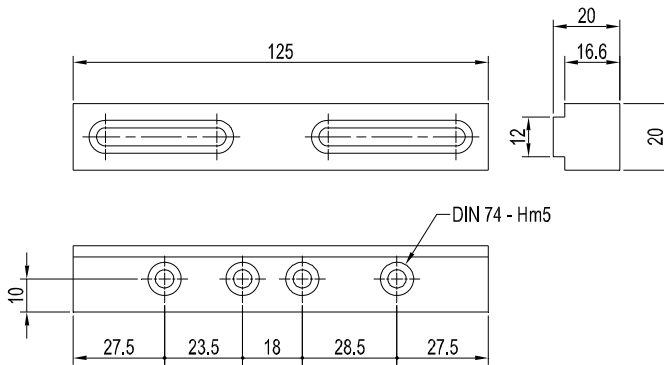
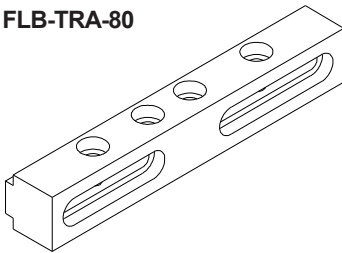


Dimensions

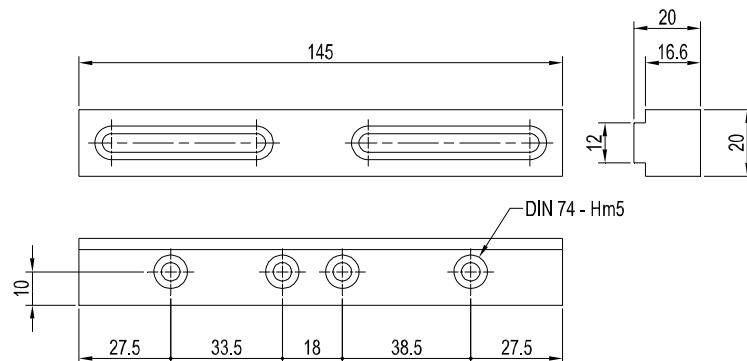
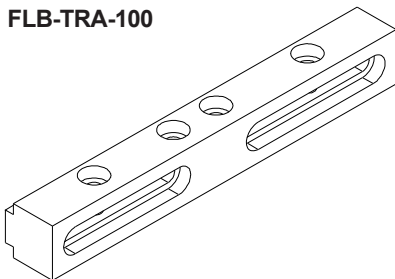
FLB-TRA-60



FLB-TRA-80



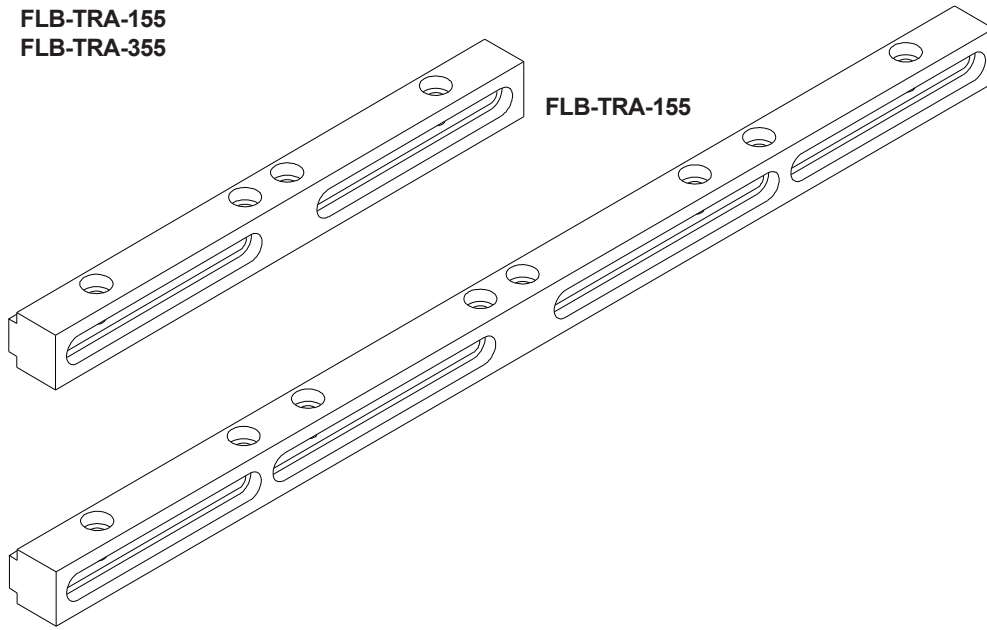
FLB-TRA-100



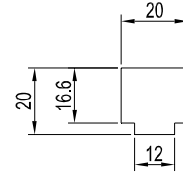
(All dimensions in mm)

Dimensions

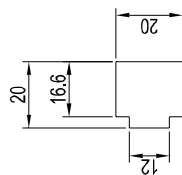
FLB-TRA-155
FLB-TRA-355



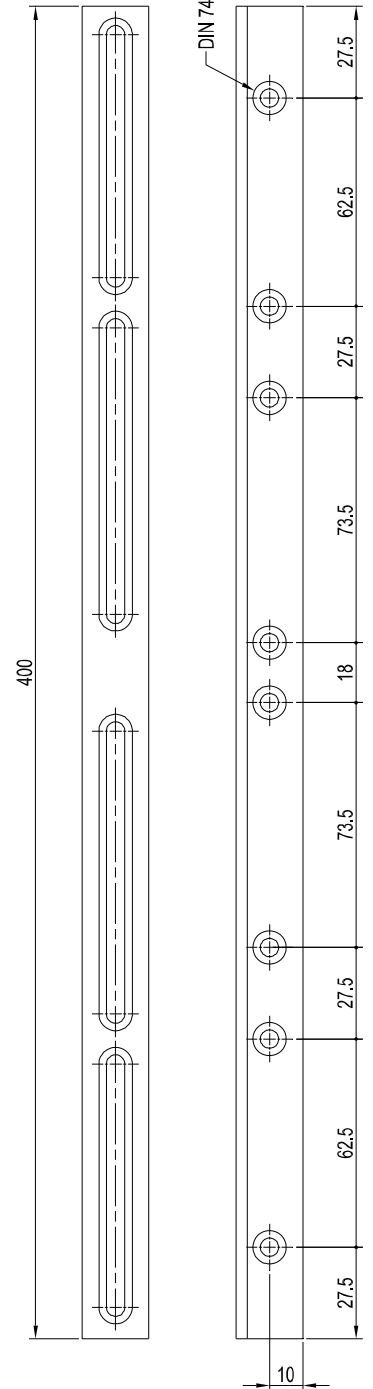
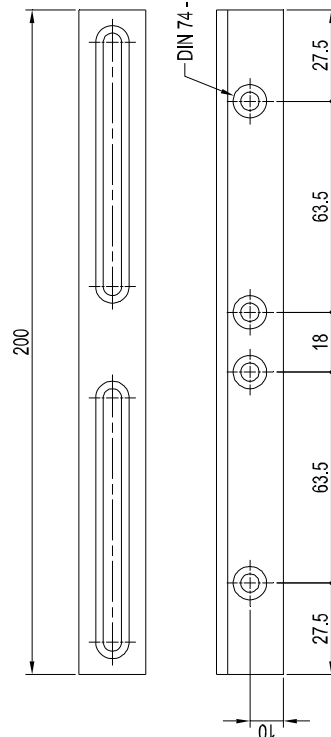
FLB-TRA-355



FLB-TRA-355



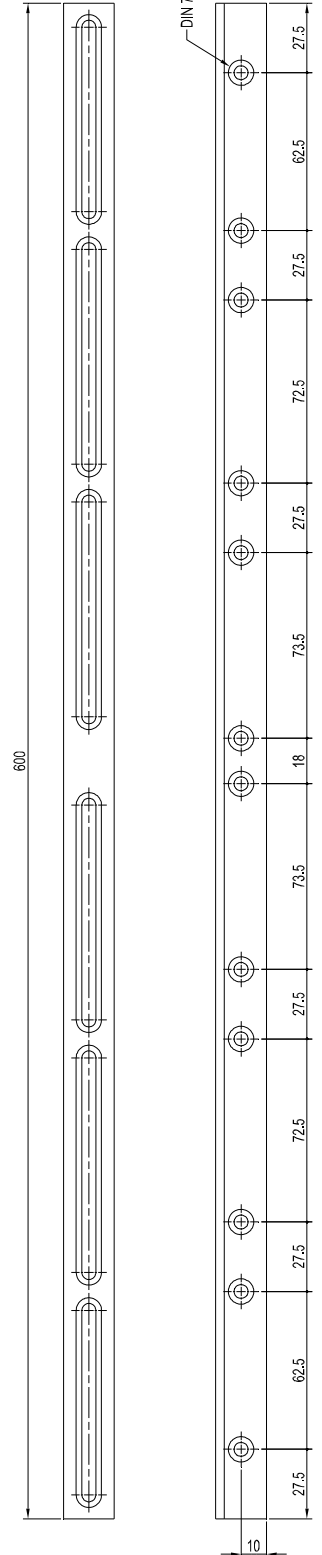
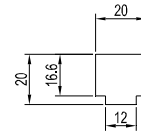
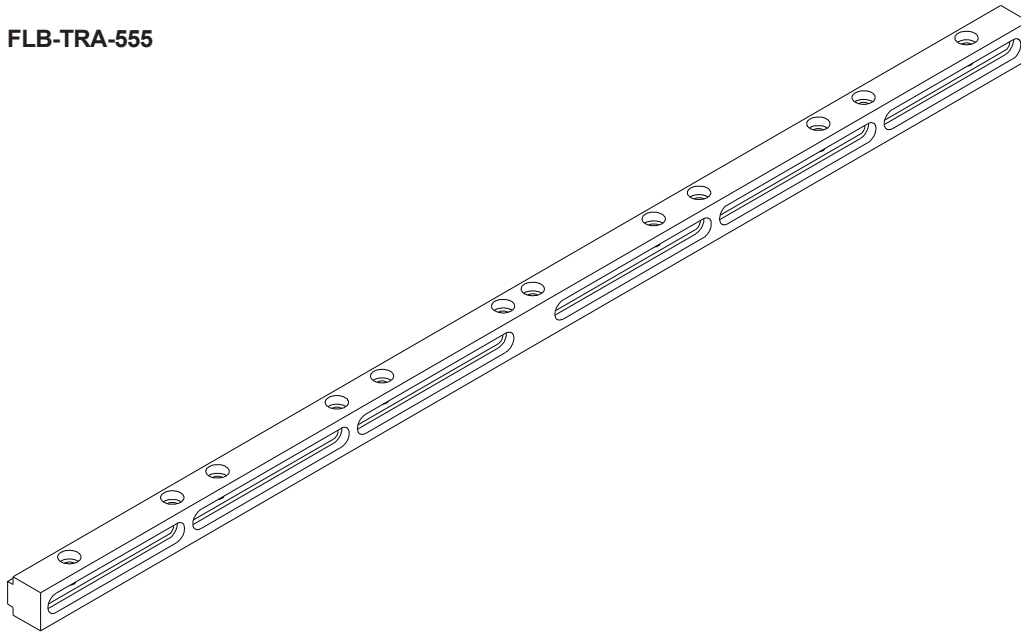
FLB-TRA-155



(All dimensions in mm)

Dimensions

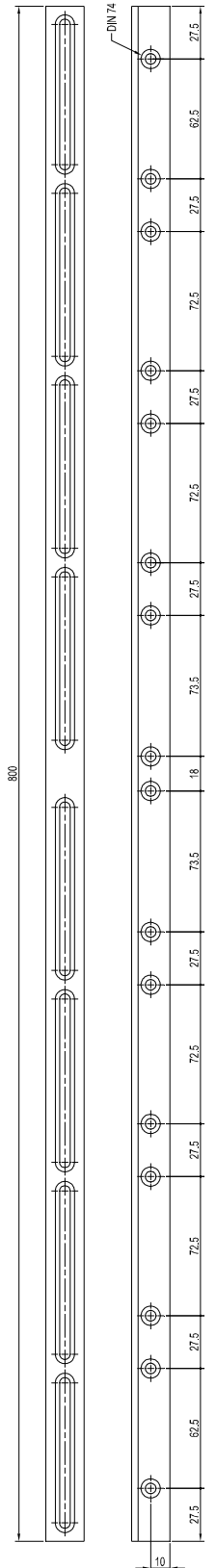
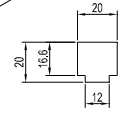
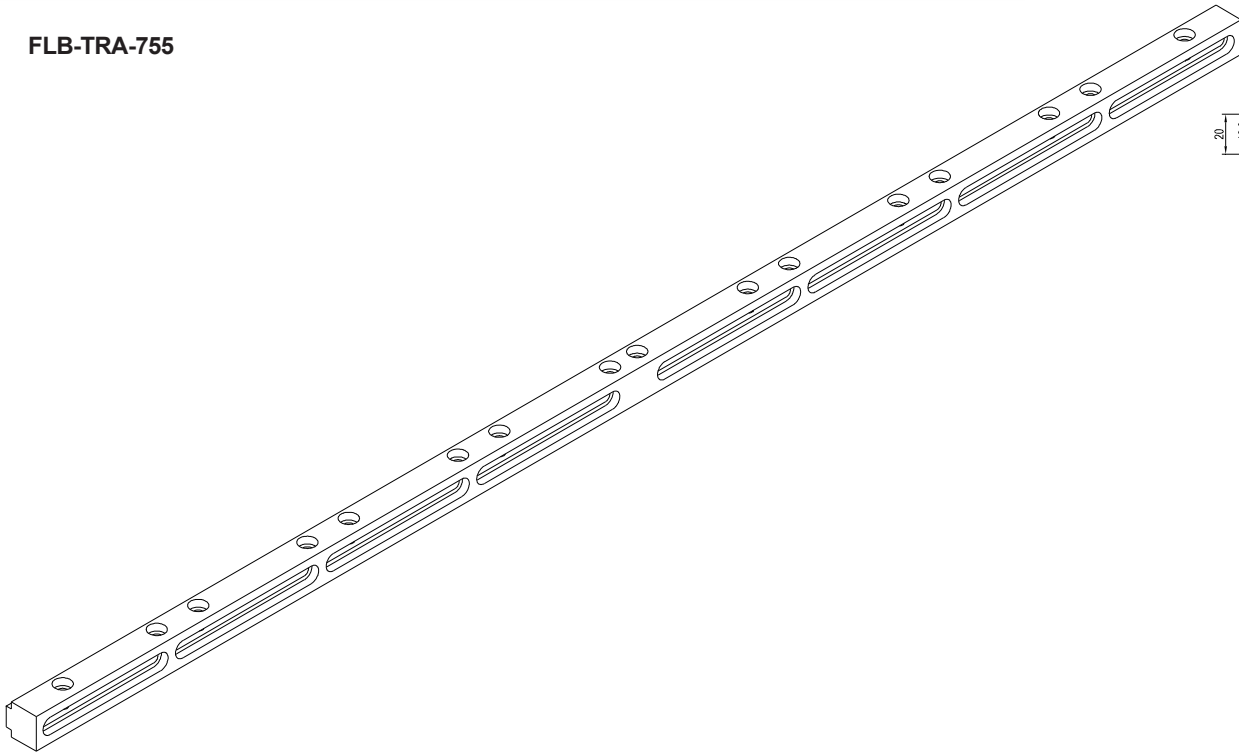
FLB-TRA-555



(All dimensions in mm)

Dimensions

FLB-TRA-755

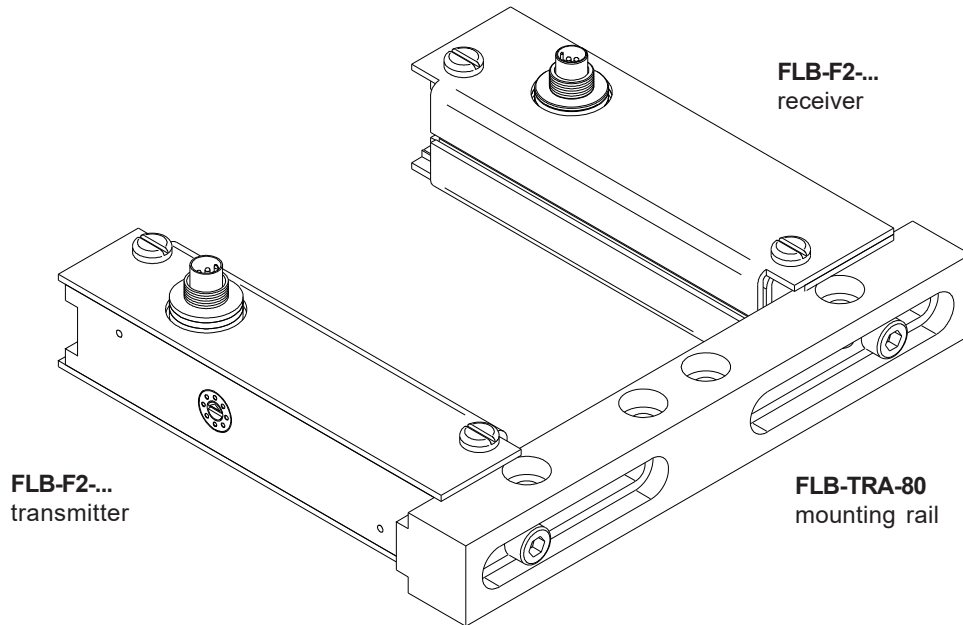


(All dimensions in mm)



Mounting Examples

FLB-F2-... with 1 mounting rail FLB-TRA-....:



FLB-F2-... with 2 mounting rails FLB-TRA-....:

