

Accessories

▶ TRA-L-LAS-TB-CL-...

Mounting rail for through-beam laser line sensors
(transmitter and receiver):

L-LAS-TB-6-CL

L-LAS-TB-(16)-CL

L-LAS-TB-28-CL or L-LAS-TB-28-AL

L-LAS-TB-50-CL or L-LAS-TB-50-AL

L-LAS-TB-75-CL or L-LAS-TB-75-AL

L-LAS-TB-100-CL or L-LAS-TB-100-AL

- Various lengths available
- Transmitter/receiver distance variable depending on the sensor model
- Optimal alignment of the L-LAS-TB-CL transmitters and receiver by means of long holes
- Mounting holes for fixing L-LAS-TB-CL
- Transmitter and receiver and for mounting the light barrier
- Sturdy material (aluminum, black anodized)



Design

Product name:

TRA-L-LAS-TB-CL-L200 (Total length traverse = 200 mm)

TRA-L-LAS-TB-CL-L400 (Total length traverse = 400 mm)

TRA-L-LAS-TB-CL-L600 (Total length traverse = 600 mm)

TRA-L-LAS-TB-CL-L800 (Total length traverse = 800 mm)

available as per request:

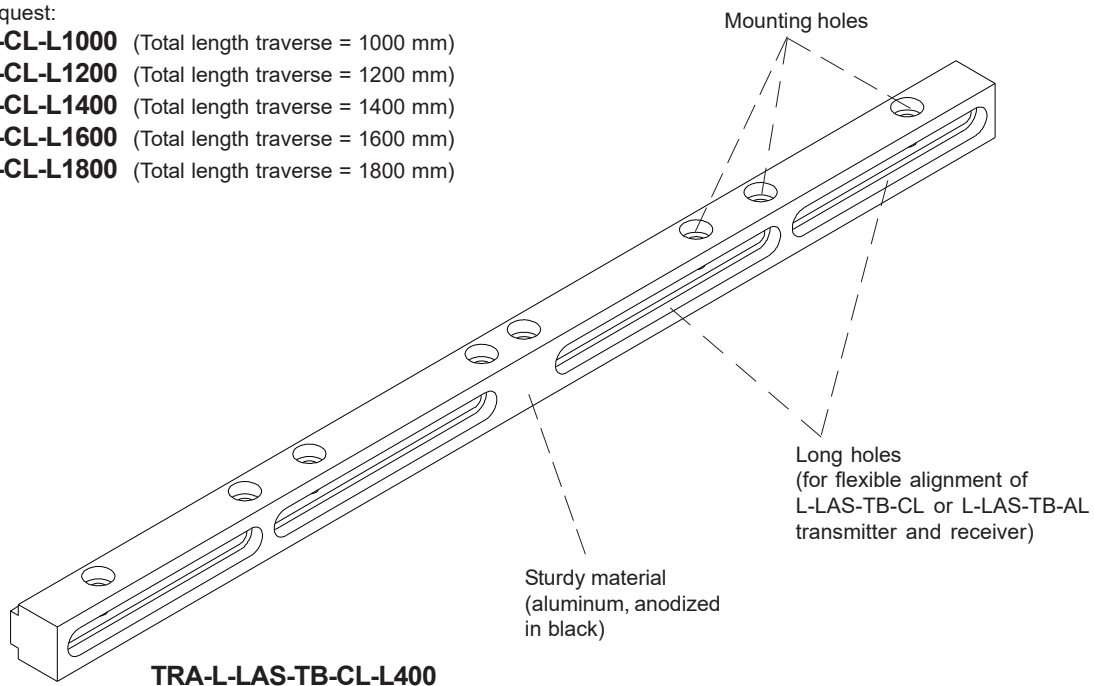
TRA-L-LAS-TB-CL-L1000 (Total length traverse = 1000 mm)

TRA-L-LAS-TB-CL-L1200 (Total length traverse = 1200 mm)

TRA-L-LAS-TB-CL-L1400 (Total length traverse = 1400 mm)

TRA-L-LAS-TB-CL-L1600 (Total length traverse = 1600 mm)

TRA-L-LAS-TB-CL-L1800 (Total length traverse = 1800 mm)

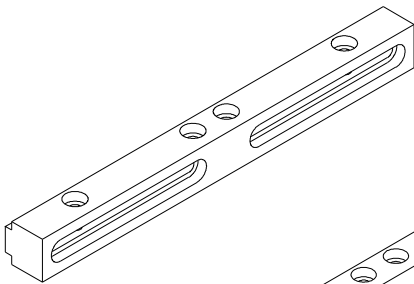




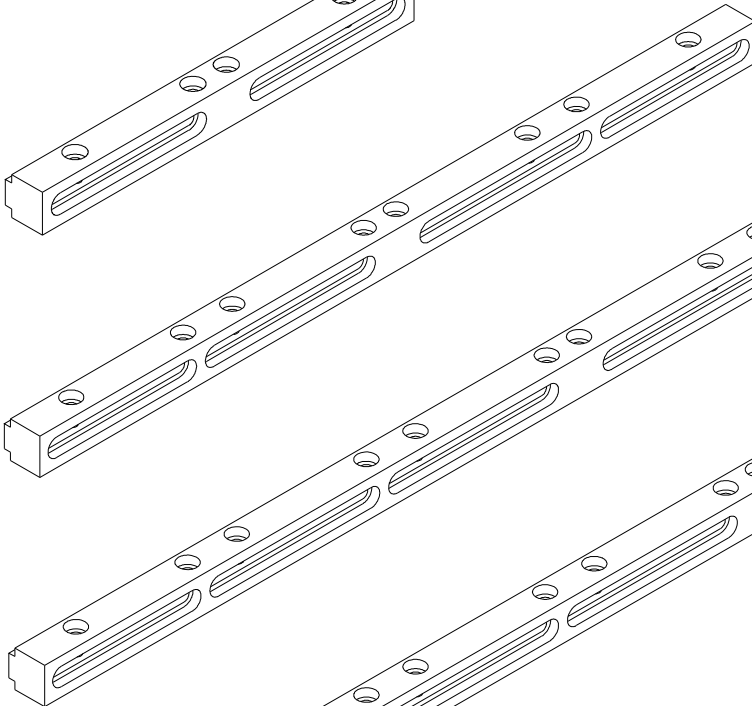
Distances

Max. distance T/R in case of use of mounting rail:	TRA-L-LAS-TB-CL-L200	TRA-L-LAS-TB-CL-L400	TRA-L-LAS-TB-CL-L600	TRA-L-LAS-TB-CL-L800
L-LAS-TB-6-T-CL L-LAS-TB-6-R-CL	max. distance T/R: 95 mm	max. distance T/R: 295 mm	max. distance T/R: 495 mm	max. distance T/R: 695 mm
L-LAS-TB-(16)-T-CL L-LAS-TB-(16)-R-CL	max. distance T/R: 60 mm	max. distance T/R: 260 mm	max. distance T/R: 460 mm	max. distance T/R: 660 mm
L-LAS-TB-28-T-CL (-AL) L-LAS-TB-28-R-CL (-AL)	----	max. distance T/R: 222 mm	max. distance T/R: 422 mm	max. distance T/R: 622 mm
L-LAS-TB-50-T-CL (-AL) L-LAS-TB-50-R-CL (-AL)	----	max. distance T/R: 205 mm	max. distance T/R: 405 mm	max. distance T/R: 605 mm
L-LAS-TB-75-T-CL (-AL) L-LAS-TB-75-R-CL (-AL)	----	max. distance T/R: 200 mm	max. distance T/R: 400 mm	max. distance T/R: 600 mm
L-LAS-TB-100-T-CL (-AL) L-LAS-TB-100-R-CL (-AL)	----	max. distance T/R: 160 mm	max. distance T/R: 360 mm	max. distance T/R: 560 mm

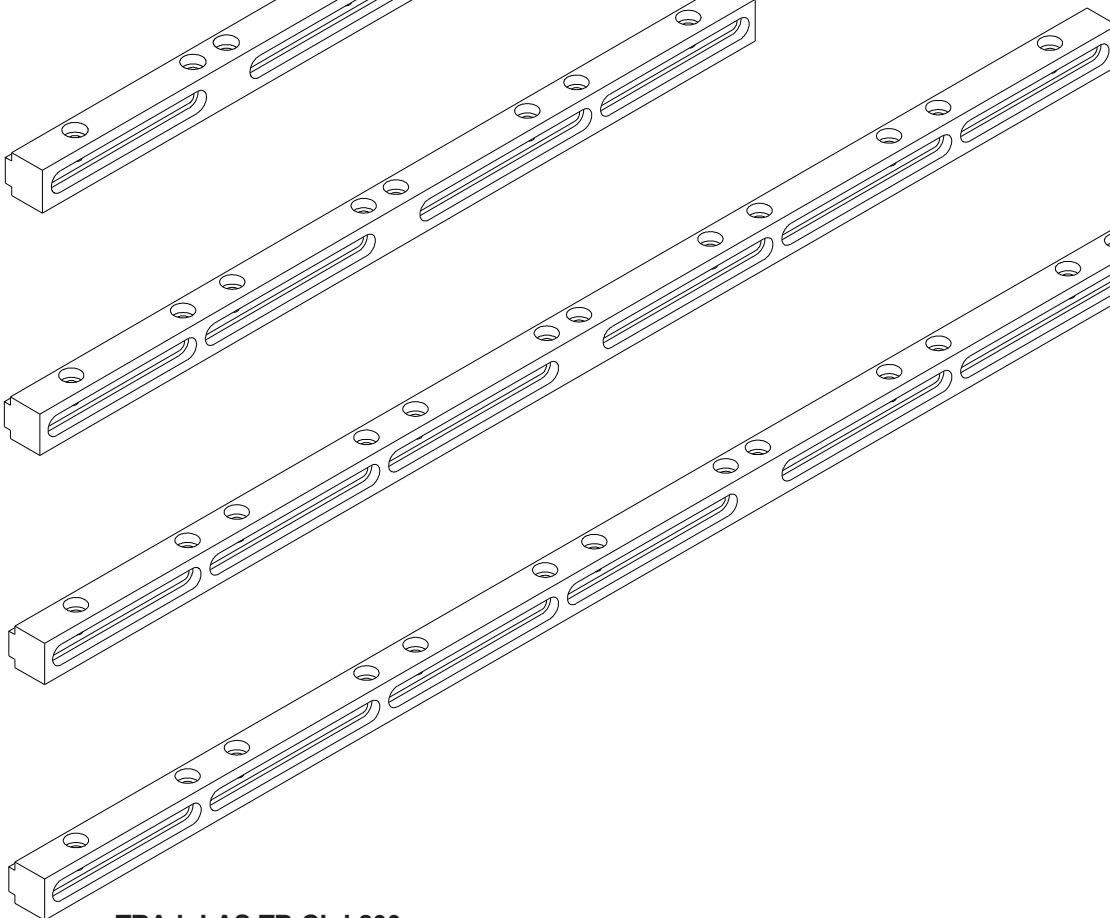
TRA-L-LAS-TB-CL-L200



TRA-L-LAS-TB-CL-L400



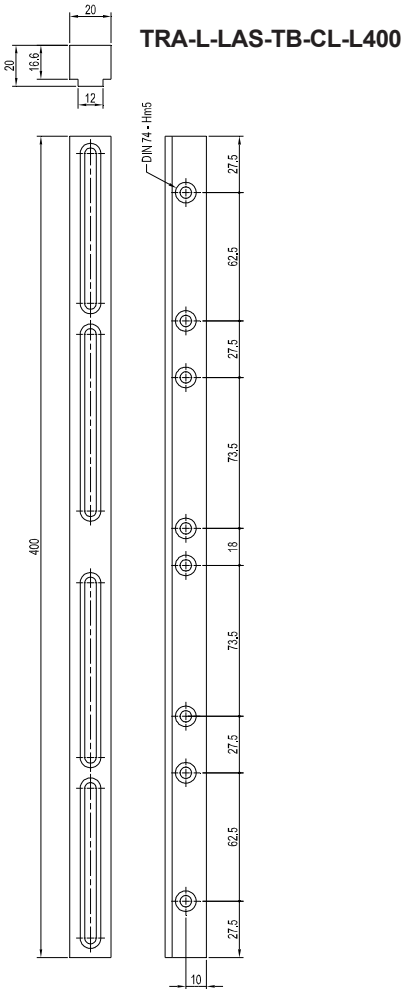
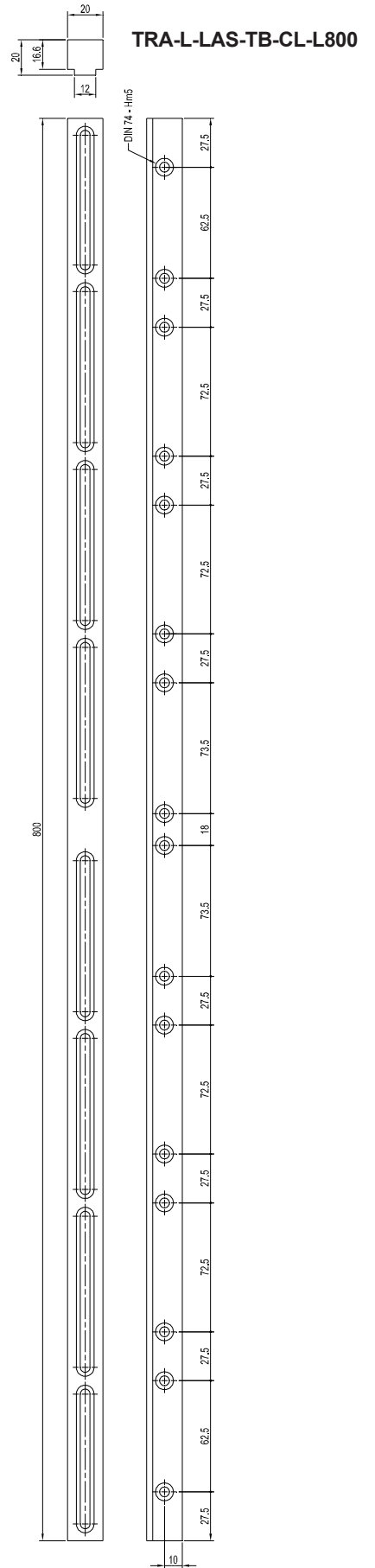
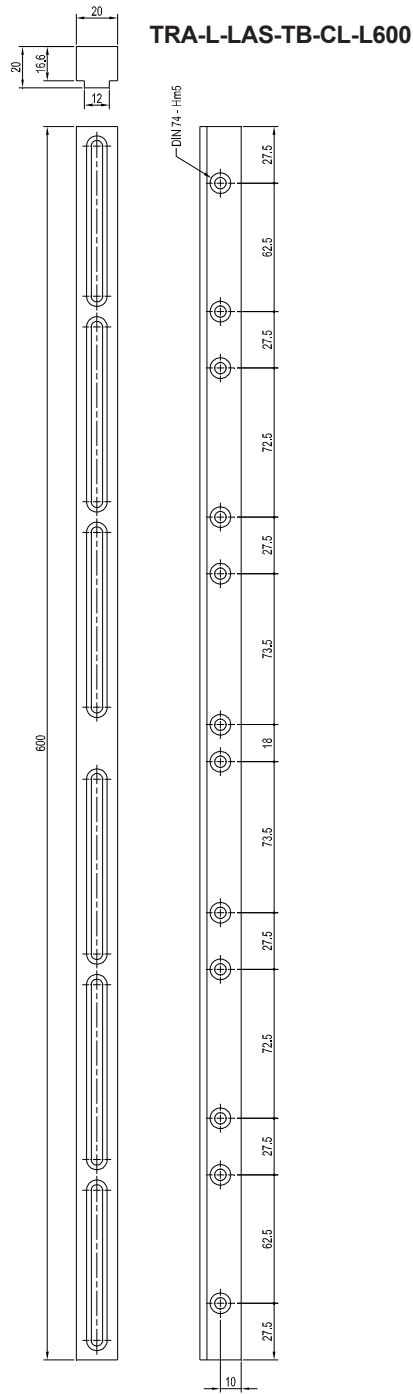
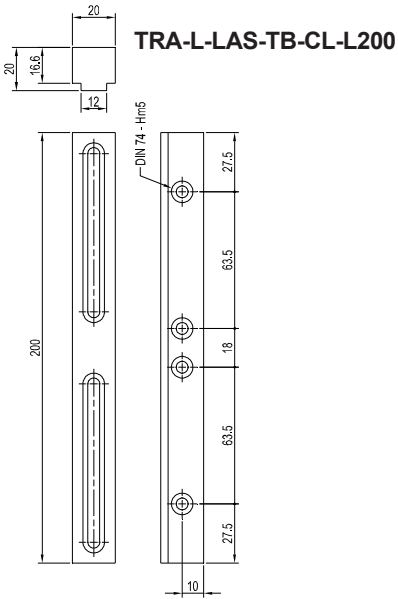
TRA-L-LAS-TB-CL-L600



TRA-L-LAS-TB-CL-L800



Dimensions



(All dimensions in mm)

Mounting Example

Line Sensor, for example:
L-LAS-TB-28-T-CL
L-LAS-TB-28-R-CL

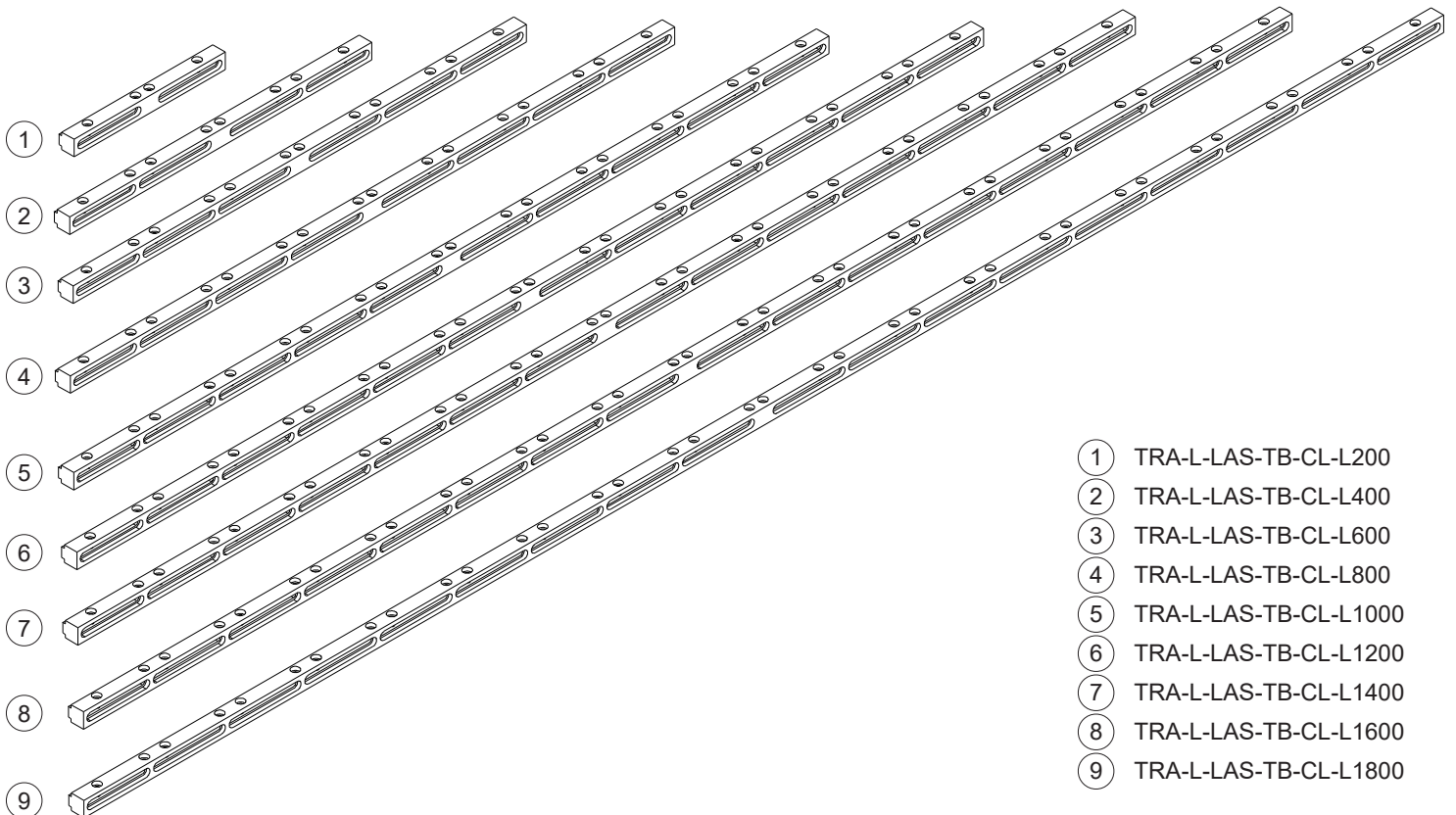
L-LAS-TB-28-T-CL
(Transmitter)

L-LAS-TB-28-R-CL
(Receiver)

Distance transmitter/receiver

TRA-L-LAS-TB-CL-L400
(Mounting rail)

Overview of Variants



- ① TRA-L-LAS-TB-CL-L200
- ② TRA-L-LAS-TB-CL-L400
- ③ TRA-L-LAS-TB-CL-L600
- ④ TRA-L-LAS-TB-CL-L800
- ⑤ TRA-L-LAS-TB-CL-L1000
- ⑥ TRA-L-LAS-TB-CL-L1200
- ⑦ TRA-L-LAS-TB-CL-L1400
- ⑧ TRA-L-LAS-TB-CL-L1600
- ⑨ TRA-L-LAS-TB-CL-L1800