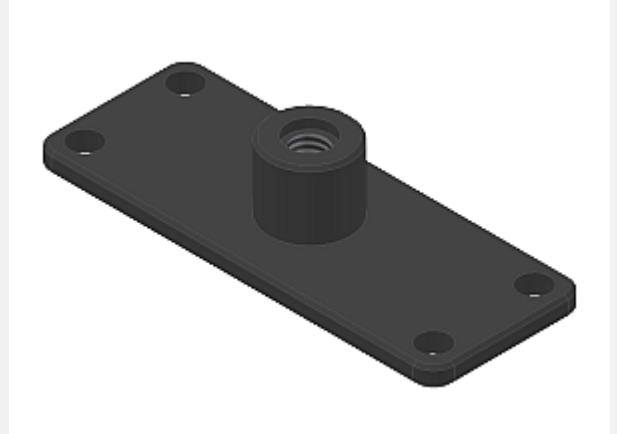


Zubehör

► MOUNT-SPECTRO-3-JR/CL

Mounting unit for color sensors of type
SPECTRO-3-...-JR or
SPECTRO-3-...-CL

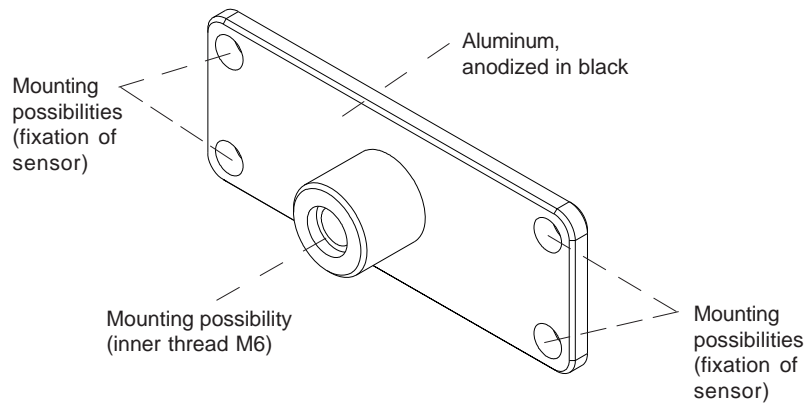
- Various mounting possibilities
- Sturdy material (aluminum)



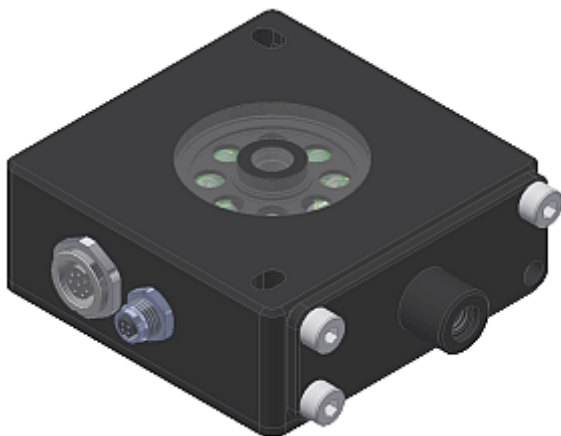
Design

Product name:

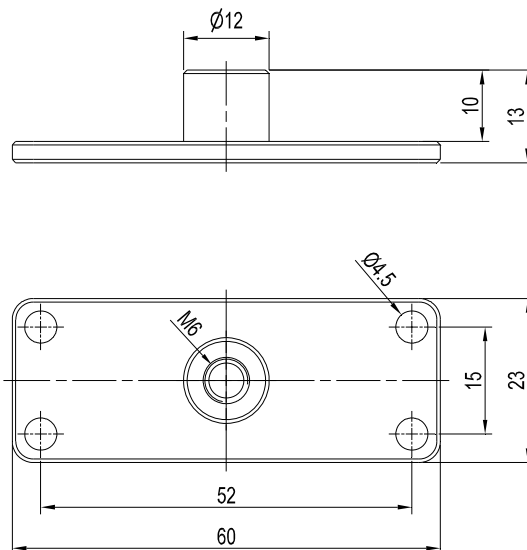
MOUNT-SPECTRO-3-JR/CL



Dimensions



Picture:
MOUNT-SPECTRO-3-JR/CL mounted
to SPECTRO-3-50-FCL-JR (example)



(All dimensions in mm)