

Accessories

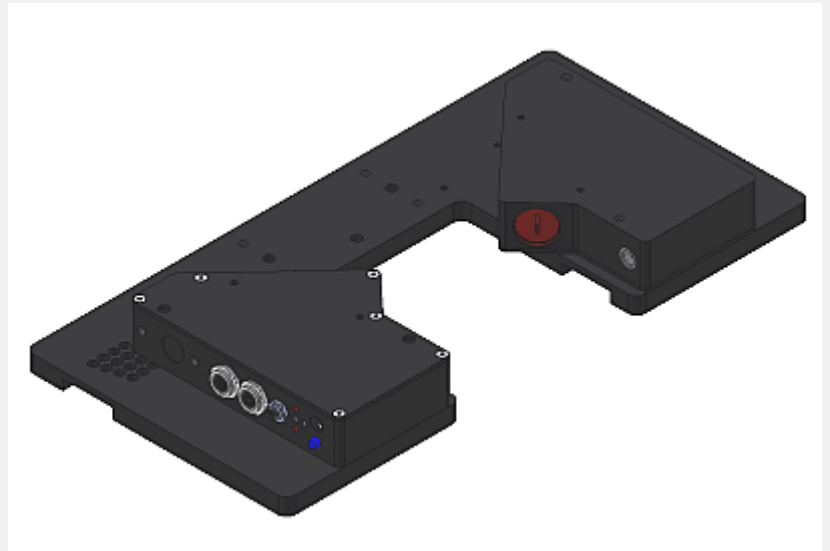
▶ C-MOUNT-LT-55

Mounting plate for Master/Slave line sensors

L-LAS-LT-55-MA / -SL

L-LAS-LT-55-HS-MA / -SL

- Mounting plate in C-shape with several mounting holes
- Distance Master and Slave (optical axis) adjustable in 3 mm steps (symmetrically each side 1.5 mm): from min. 69.6 mm to max. 114.6 mm
- Sturdy material (aluminum, anodized in black)



Design

Product name:

C-MOUNT-LT-55

Various mounting possibilities
(Ø 5.5 mm or thread M5)

C-MOUNT-LT-55

L-LAS-LT-55-...
(Slave or Master)

Mounting holes for
various adjustment positions
of Master and Slave

L-LAS-LT-55-...
(Master or Slave)

Aluminum,
anodized in black

Sensor
Instruments



Adjustment Positions

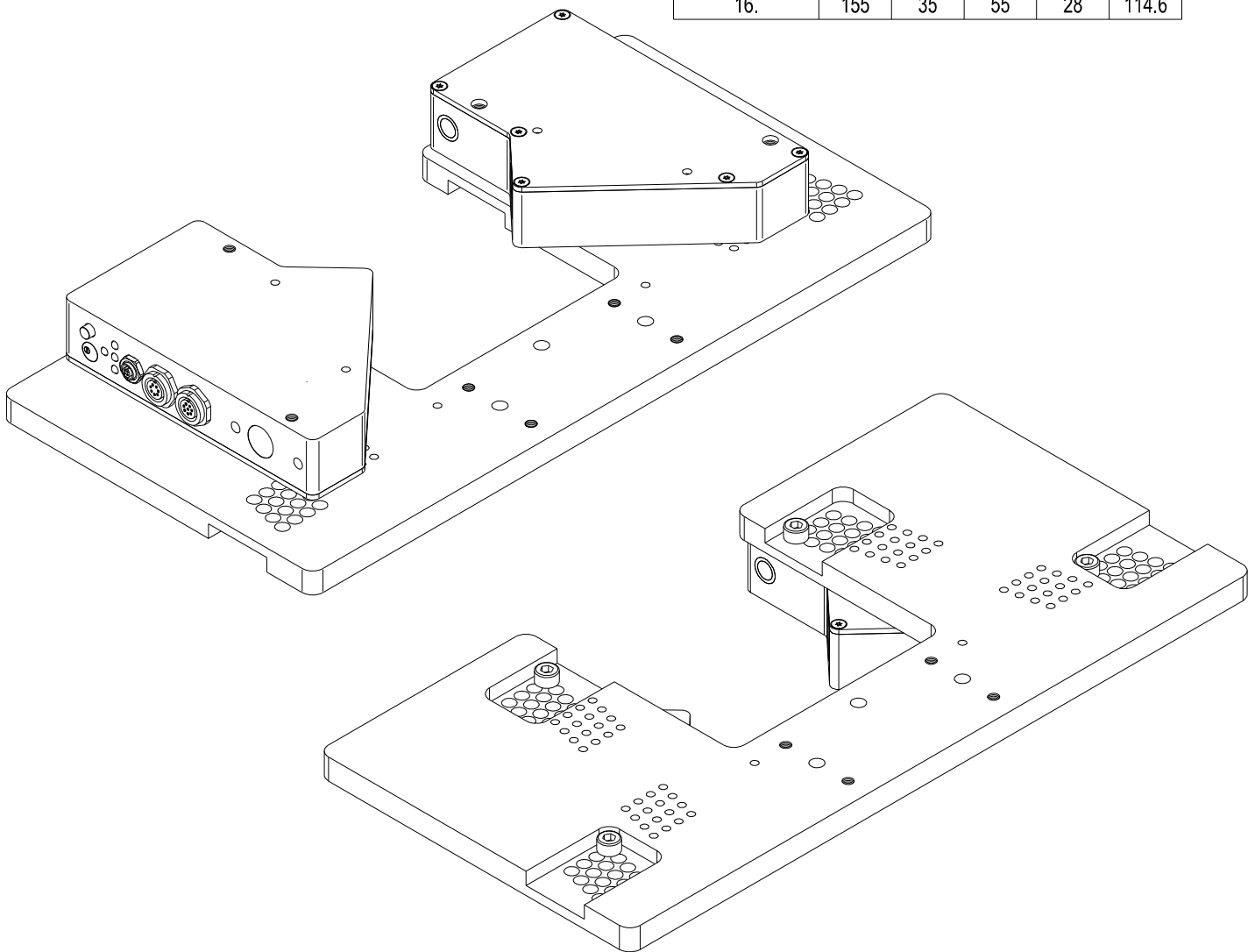
Mounting plate C-MOUNT-LT-55

suitable for Master/Slave line sensors
L-LAS-LT-55-MA / -SL or
L-LAS-LT-55-HS-MA / -SL

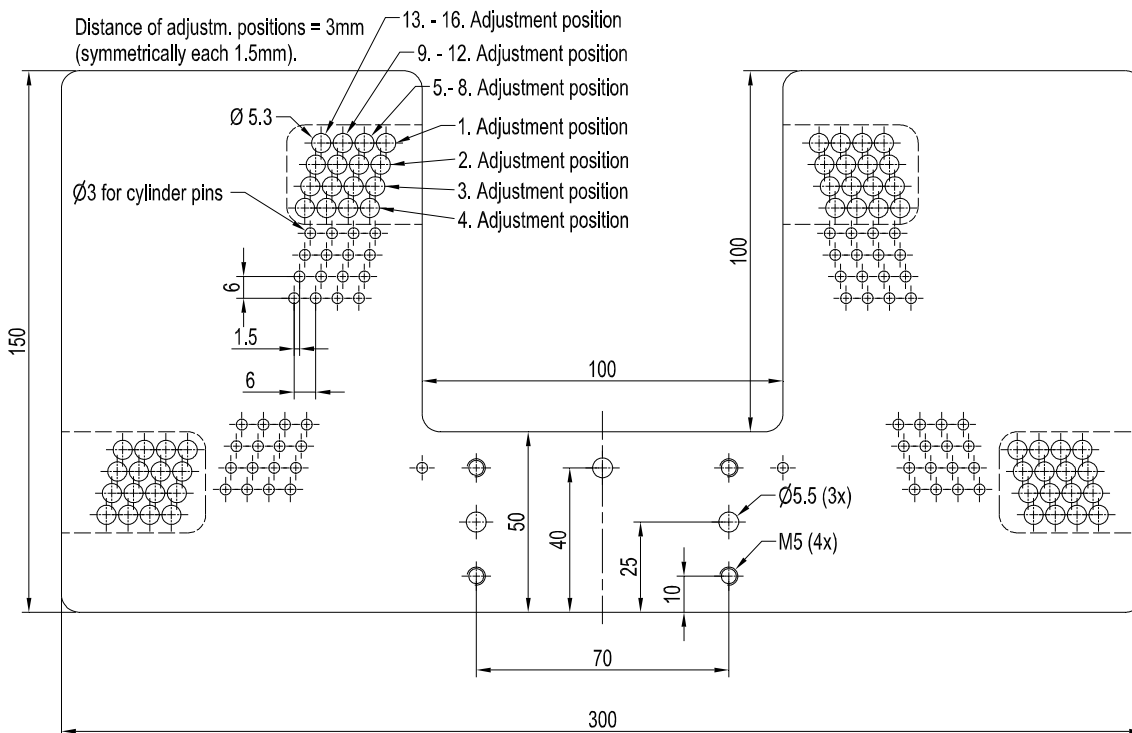
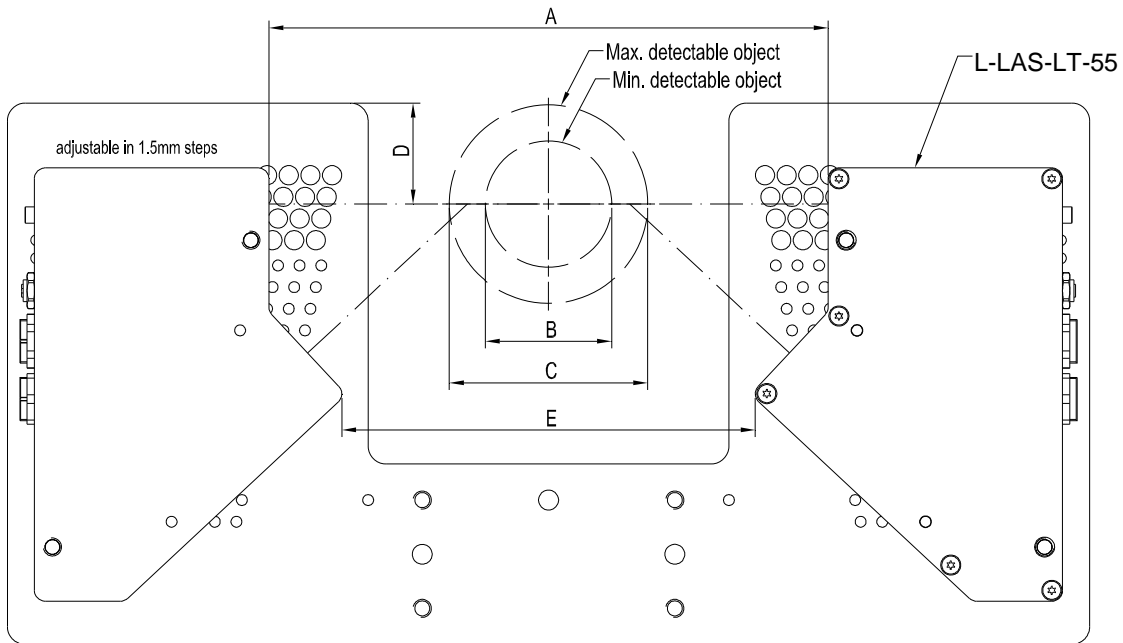
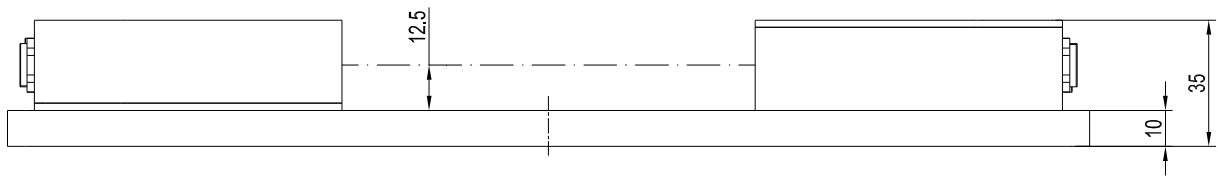
- Distance Master and Slave (optical axis) adjustable in 3 mm steps (symmetrically each side 1.5 mm): from min. 69.6 mm to max. 114.6 mm

Adjustment positions (cf. drawing on the next page):
E = Distance Master/Slave (optical axis) in mm

| Adjustment position | A | B | C | D | E |
|---------------------|-----|----|----|----|-------|
| 1. | 110 | 0 | 10 | 10 | 69.6 |
| 2. | 113 | 0 | 13 | 16 | 72.6 |
| 3. | 116 | 0 | 16 | 22 | 75.6 |
| 4. | 119 | 0 | 19 | 28 | 78.6 |
| 5. | 122 | 2 | 22 | 10 | 81.6 |
| 6. | 125 | 5 | 25 | 16 | 84.6 |
| 7. | 128 | 8 | 28 | 22 | 87.6 |
| 8. | 131 | 11 | 31 | 28 | 90.6 |
| 9. | 134 | 14 | 34 | 10 | 93.6 |
| 10. | 137 | 17 | 37 | 16 | 96.6 |
| 11. | 140 | 20 | 40 | 22 | 99.6 |
| 12. | 143 | 23 | 43 | 28 | 102.6 |
| 13. | 146 | 26 | 46 | 10 | 105.6 |
| 14. | 149 | 29 | 49 | 16 | 108.6 |
| 15. | 152 | 32 | 52 | 22 | 111.6 |
| 16. | 155 | 35 | 55 | 28 | 114.6 |



Dimensions



(All dimensions in mm)