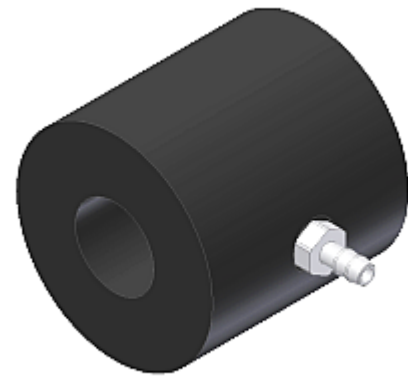


Accessories

▶ ABL-M18-...

Blast-air top part for sensors or add-on optics for optical fibers in M18 housing

- Blast air connector (barbed fitting)
- Various air exit openings available: Ø 3 mm, Ø 5 mm, or Ø 10 mm
- Sturdy material (aluminium, anodized in black)



Design

Product name:

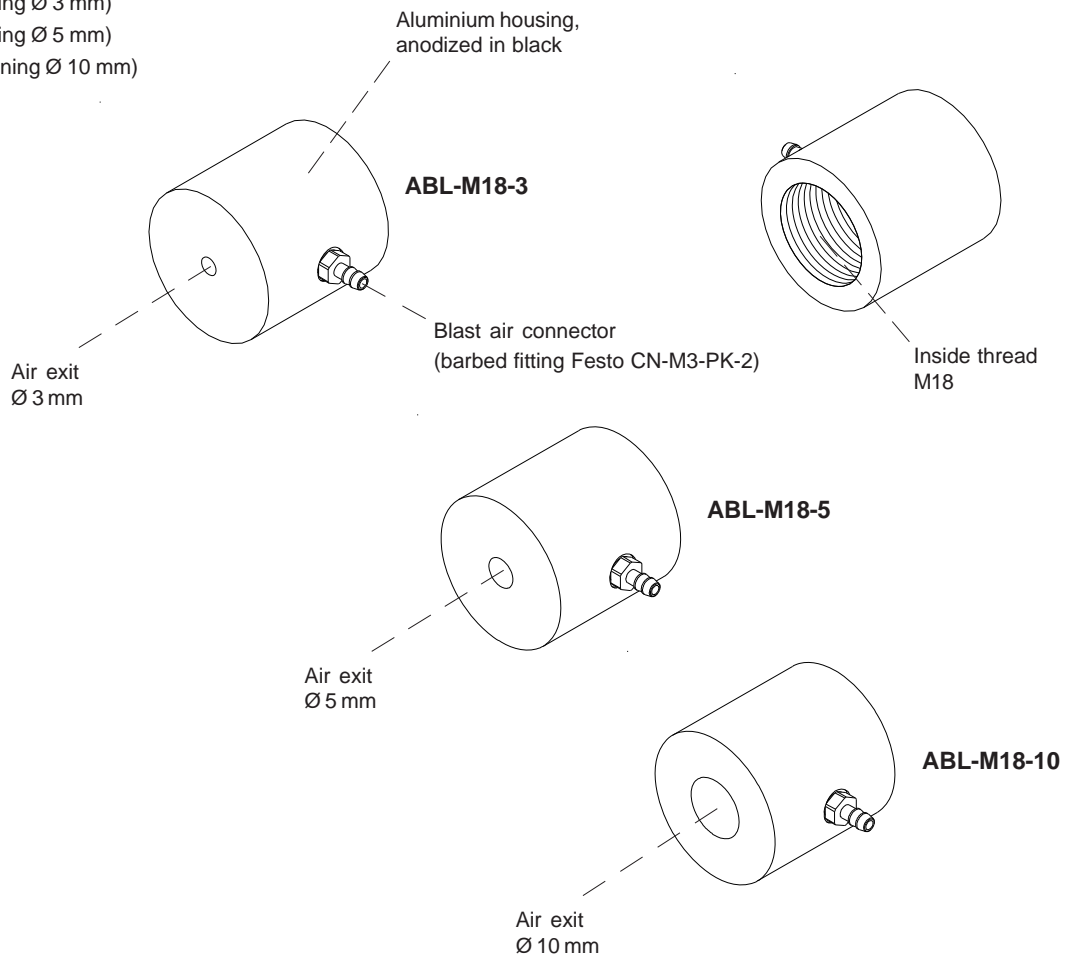
Blast-air top part

ABL-M18-3 (air exit opening Ø 3 mm)

ABL-M18-5 (air exit opening Ø 5 mm)

ABL-M18-10 (air exit opening Ø 10 mm)

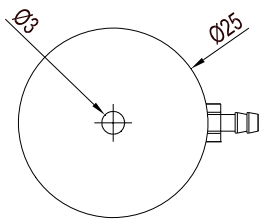
for use with e.g.:
A-LAS-M18-...-C
D-LAS1



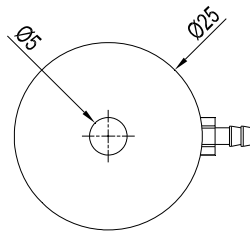


Dimensions

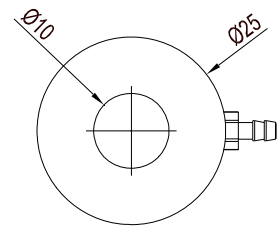
ABL-M18-3



ABL-M18-5



ABL-M18-10



(All dimensions in mm)



Application Example

ABL-M18-3
mounted onto
add-on optics KL-M18-...

