

Accessories

▶ ABL-TB-100-CL

Blast-air top part for laser line sensors type

L-LAS-TB-100-T-AL (Transmitter)

L-LAS-TB-100-R-AL (Receiver)

L-LAS-TB-100-T-CL (Transmitter)

L-LAS-TB-100-R-CL (Receiver)

L-LAS-TB-100-R-4/20-CL (Receiver)

- Blast air connector (barbed fitting connection)
- Sturdy material (PVC, black)
- Gehäuseabmessungen ca. 146 mm x 27 mm x 15mm

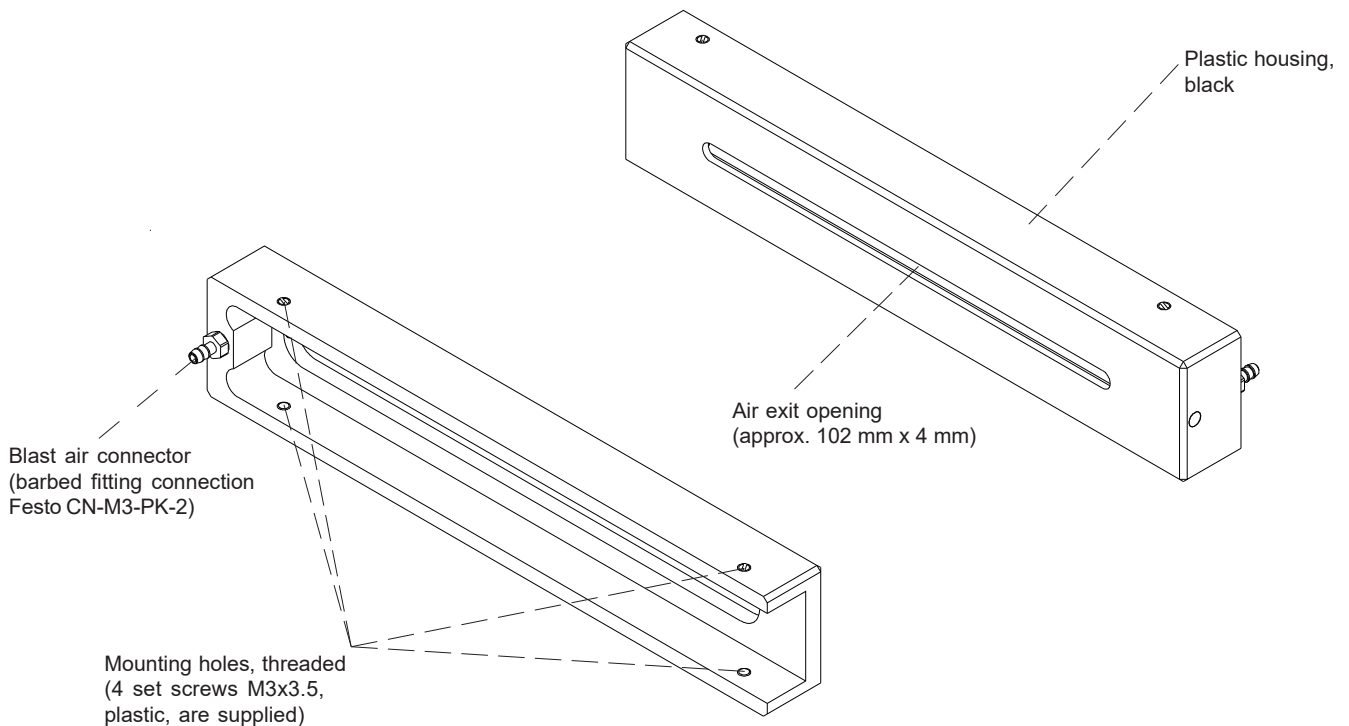


Design

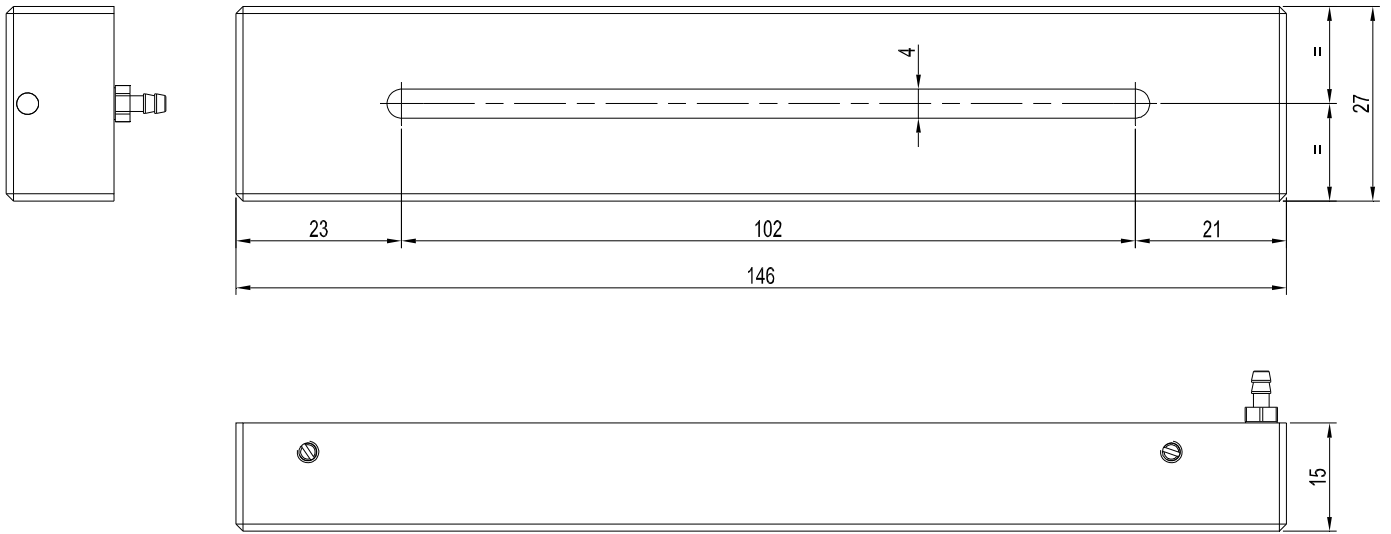
Product name:

Blast air top-part ABL-TB-100-CL

(please order separately for L-LAS-TB-... transmitter and receiver)



Dimensions



(All dimensions in mm)

Suitable for:

- L-LAS-TB-100-T-AL (Transmitter)
- L-LAS-TB-100-R-AL (Receiver)
- L-LAS-TB-100-T-CL (Transmitter)
- L-LAS-TB-100-R-CL (Receiver)
- L-LAS-TB-100-R-4/20-CL (Receiver)

L-LAS-TB-100-T-... (Transmitter)



L-LAS-TB-100-R-... (Receiver)