

Accessories

▶ PS-24V-1,25A/30W-712/8

Power supply

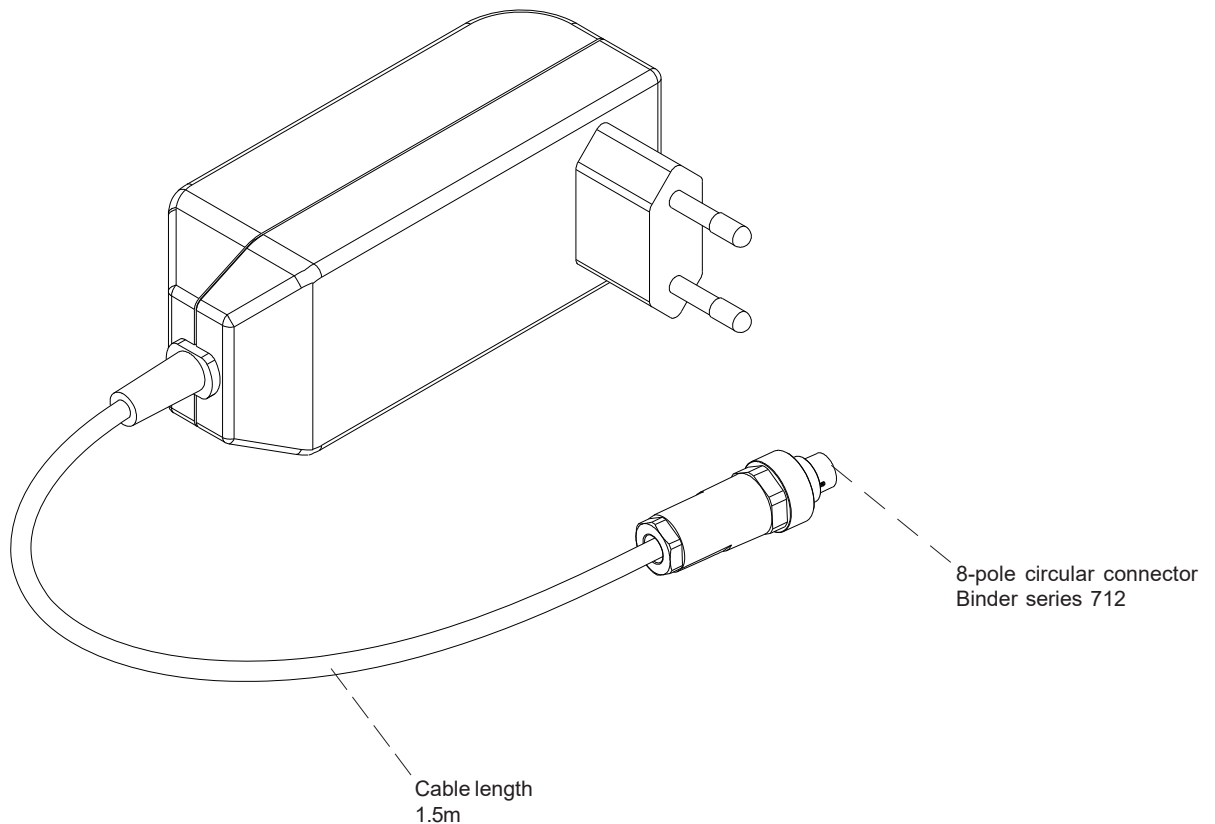
- Secondary 24VDC; current max. 1.25A; power 30W
- Power supply: 100...240Veff.; 50...60Hz; 550mA
- Secondary 8-pole circular connector Binder series 712
- Cable length 1,5m
- For use with e.g. SPECTRO-3-... sensors (type M34, -CL, -JR, -ANA, MSM-ANA, part of -MSM-DIG) and many sensors of our other sensor series (not suitable for use with SPECTRO-3-...-SLA, -SLE, -SL sensors)



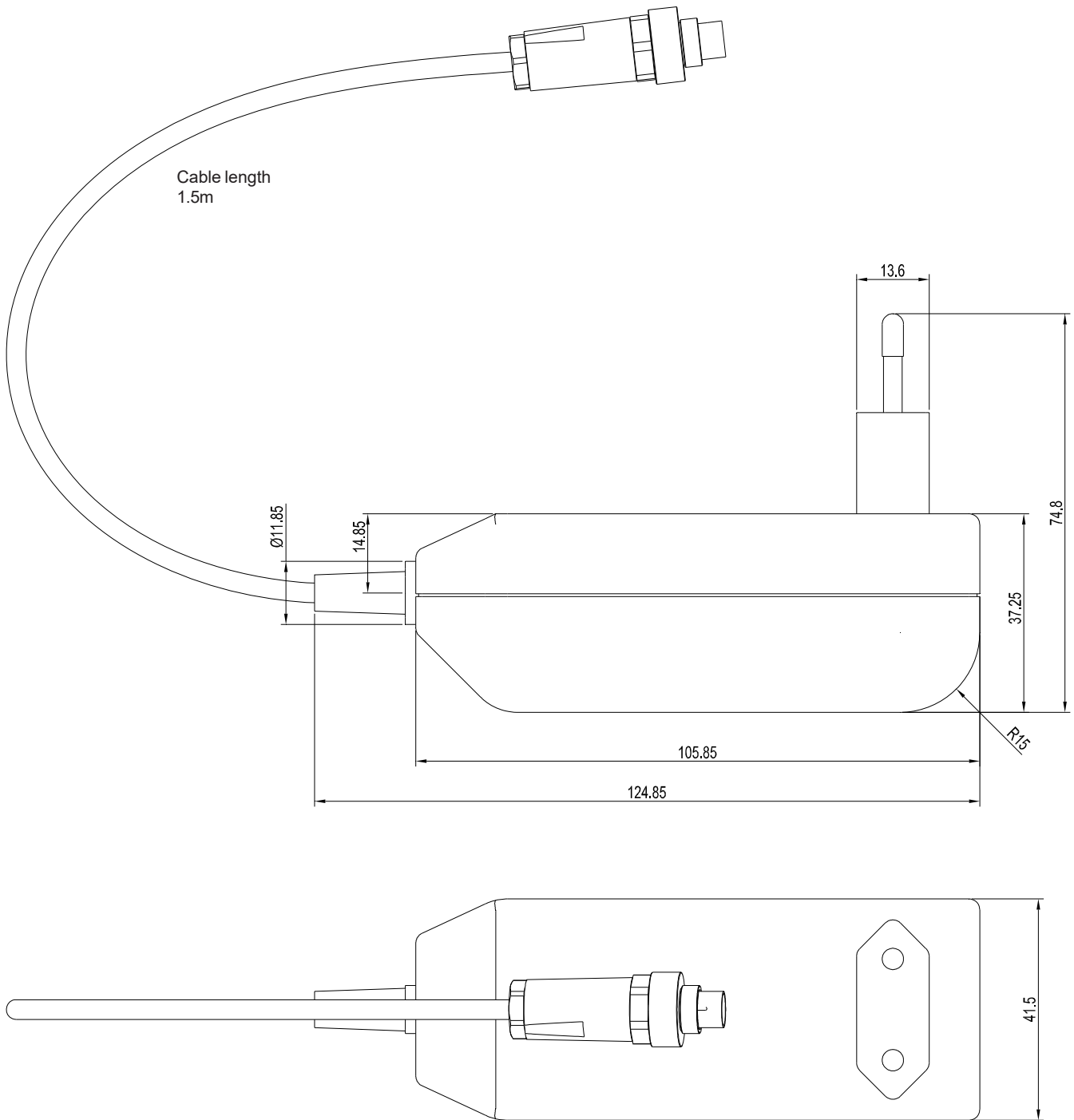
Design

Product name:

PS-24V-1,25A/30W-712/8



Dimensions



All dimensions in mm

**8-pole circular connector Binder series 712**

Pin: Assignment:

1	GND (0V)
2	+24VDC
3	not connected
4	not connected
5	not connected
6	not connected
7	not connected
8	not connected

