

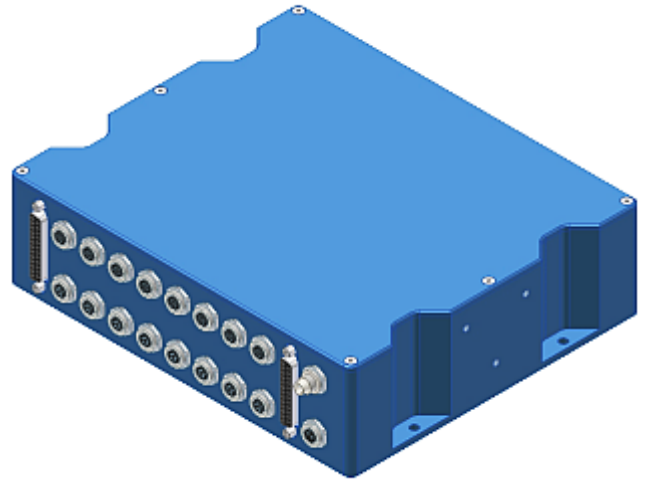
Accessories

▶ **MPLEX-08**

8-fold distributor box RS232-Ethernet

For connection of up to 8 sensors with RS232-interface (e.g. of A-LAS series, RLS-GD series, SI-COLO series, L-LAS series, SPECTRO series, SI-JET series).

- 8x5 digital outputs
- 8digital inputs
- Sturdy aluminium housing
- Connection possibility of a Panel PC (available as per request)
- Ethernet connector



Design

Product name:

MPLEX-08

(incl. driver software 8-Port-RS232)

Aluminum housing,
anodized in blue

LED display
(cf. page 5)

8-pole fem.
connector (8x)
Binder series 712
(connection to
sensor 1-8)
Connecting cable:
cab-las8-male-...

25-pole fem.
connector SUB-D
(connection to
SIG 5-8)
Connecting cable:
cab-las25-SIG-...

5-pole fem. connector (8x)
Binder series 712
(Connection to sensors 1-8)
Connecting cable:
cab-las5-male-X-...
cab-las4/5-male-X-...

25-pole fem. connector
SUB-D (connection to
SIG 1-4)
Connecting cable:
cab-las25-SIG-...

3-pole connector Binder series 712
(connection to PLC)
Connecting cable:
cab-las3-SPS-...

2-pole fem. connector Binder series 712
(connection to a panel PC)
Connecting cable:
cab-las2-PPC-...

Ethernet connector
RJ45

Power
indication

Mounting holes
(at both sides
of housing)

Connecting cable:
cab-eth/100Mb-X-...

Mounting holes, threaded M5
(at both sides of housing)

Accessories: (cf. pages 7)

PS-24V-3,3A/80W-712/3
Power supply



Short Description

To the MPLEX-08 distributor box there can be connected up to 8 RS232-able sensors from the following SI product series:

- A-LAS series (A-LAS-CON1)
- L-LAS series (L-LAS-LT-..., L-LAS-TB-..., L-LAS-RL-...)
- RLS series (RLS-GD-..., RLS-MD-...)
- SI-COLO series (SI-COLO3-..., SI-COLO4-...)
- SI-JET series (SI-JET2-CON2, SI-JET2-CON3)
- SPECTRO series (SPECTRO-256-..., SPECTRO-3-...)

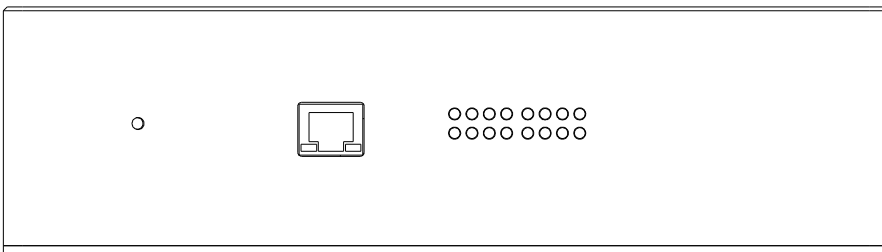
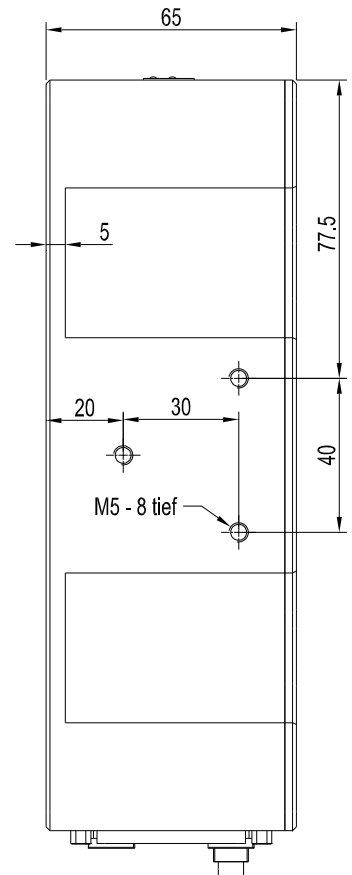
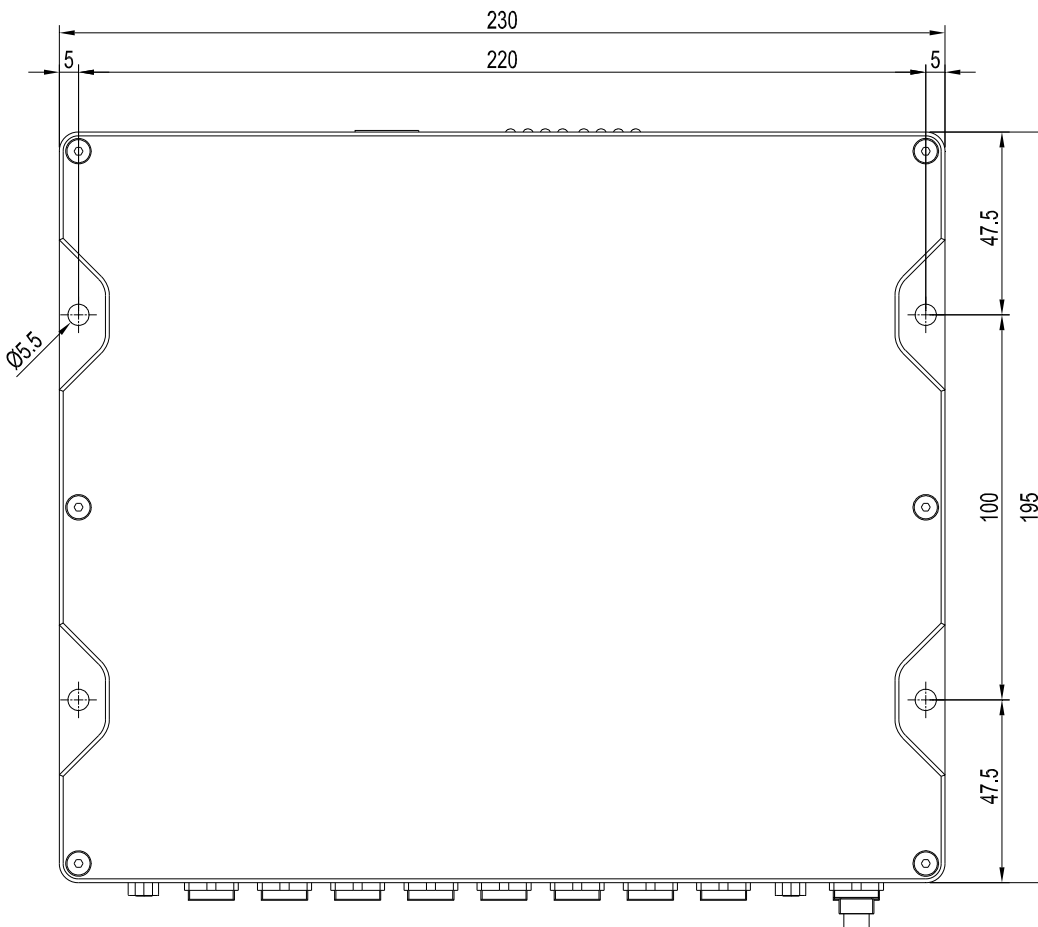
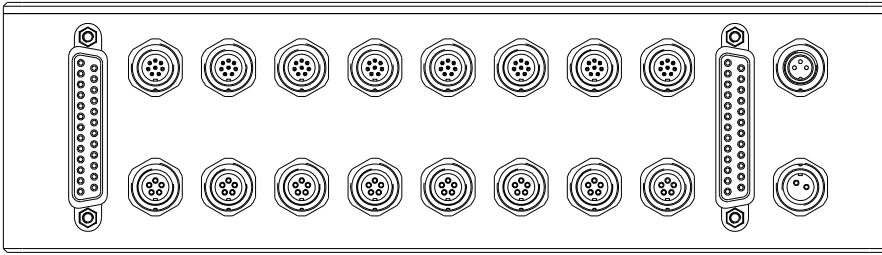
By using the MPLEX-08 distributor box, the sensors can communicate via Ethernet.



Technical Data

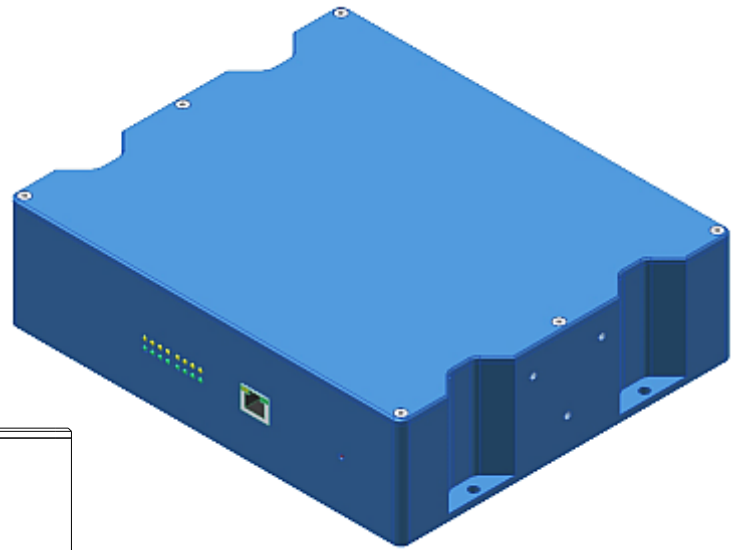
Model	MPLEX-08
Supply	
Voltage supply	+24V ± 10%
Max. current consumption	without sensors: typ. 300mA with 8 sensors: typ. 3A
Temperature range	
Operating temperature	0°C ... +60°C
Storage temperature	-10°C ... +70°C
Housing	
Dimensions	LxWxH approx. 230 mm x 195 mm x 65 mm
Material	Aluminium, anodized in blue
Interfaces	
Ethernet	
Type	Ethernet 10Base-T/100-Base-TX (autosensing)
Connector	RJ45
Protocol	TCP/IP
Connectors	
I/O to sensors	8x 8-pole fem. connector type Binder series 712
RS232	8x 5-pole fem. connector type Binder series 712
I/O to PLC	2x 25-poe fem. connector SUB-D
Voltage supply MPLEX-08	3-pole fem. connector type Binder series 712
Voltage supply Panel PC	2-pole fem. connector type Binder series 712

Dimensions

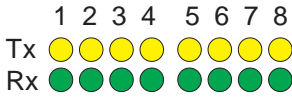


(All dimensions in mm)

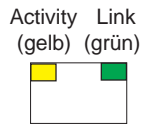
LED Display



SERIAL



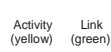
ETHERNET



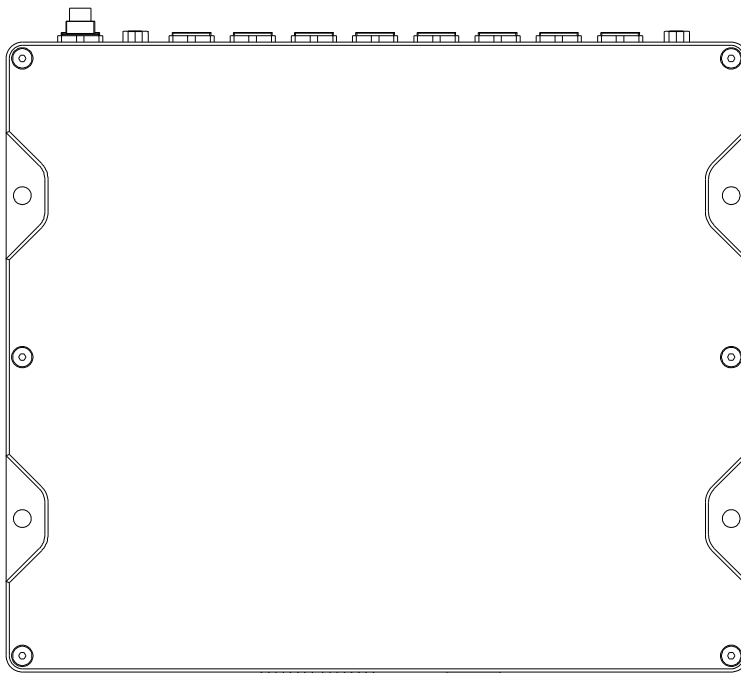
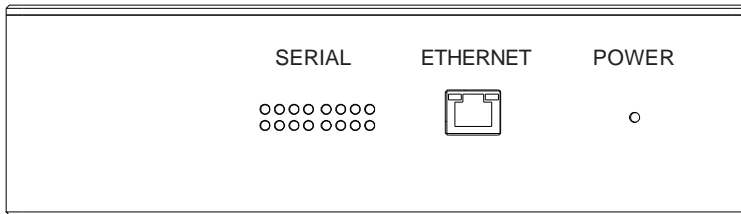
SERIAL



ETHERNET

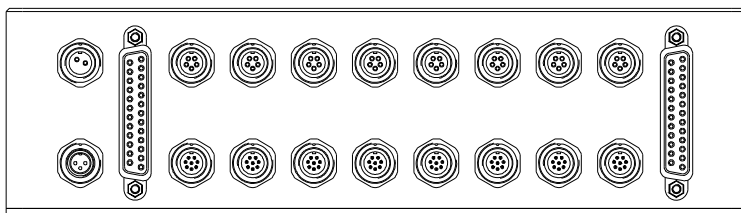


POWER



SIG

PPC 1-4 Serial1 Serial2 Serial3 Serial4 Serial5 Serial6 Serial7 Serial8 SIG 5-8



SPS Sensor1 Sensor2 Sensor3 Sensor4 Sensor5 Sensor6 Sensor7 Sensor8

Connector Assignment

Connection of MPLEX-08 to Sensor1 ... Sensor8:
8-pole fem. connector Binder series 712:

Pin:	Assignment:
1	GND (0V)
2	+24VDC ± 10%
3	} Digital or analog outputs (depends on sensor type used)
4	
5	
6	
7	
8	

Connecting cables:
cab-las8-male-2m
cab-las8-male-5m

Connection of MPLEX-08 to Serial1 ... Serial8
5-pole fem. connector Binder series 712:

Pin:	Assignment:
1	GND (0V)
2	RxD
3	TxD
4	+24V
5	n.c.

Connecting cables
for sensors of series
RLS-GD, SI-COLO, SI-JET::
cab-las5-male-X-2m
cab-las5-male-X-5m

Connecting cables
for sensors of series
A-LAS, L-LAS, SPECTRO-1,
SPECTRO-3, SPECTRO-MIR:
cab-las4/5-male-X-2m
cab-las4/5-male-X-5m

Connection of MPLEX-08 to SIG1-4 or SIG5-8
25-pole fem. connector SUB-D:

Pin:	Color:	Assignment:	
1	white	GND (0V)	} Sensor 1, 5
2	brown	S1/S5 IN0	
3	green	S1/S5 OUT0	
4	yellow	S1/S5 OUT1	
5	grey	S1/S5 OUT2	
6	pink	S1/S5 OUT3	} Sensor 2, 6
7	blue	S1/S5 OUT4	
8	red	S2/S6 IN0	
9	black	S2/S6 OUT0	
10	purple	S2/S6 OUT1	} Sensor 3, 7
11	blue-pink	S2/S6 OUT2	
12	red-black	S2/S6 OUT3	
13	white-green	S2/S6 OUT4	
14	brown-green	S3/S7 IN0	} Sensor 4, 8
15	white-red	S3/S7 OUT0	
16	yellow-red	S3/S7 OUT1	
17	white-blue	S3/S7 OUT2	
18	red-brown	S3/S7 OUT3	
19	turquoise	S3/S7 OUT4	
20	orange	S4/S8 IN0	
21	orange-blue	S4/S8 OUT0	
22	yellow-blue	S4/S8 OUT1	
23	yellow-green	S4/S8 OUT2	
24	orange-green	S4/S8 OUT3	
25	blue-black	S4/S8 OUT4	

Connecting cable:
cab-las25-SIG-2m (l=2m)

Connection of MPLEX-08 to a Panel PC
2-pole female connector
Binder series 712:

Pin:	Assignment:
1	GND (0V)
2	+Ub-PPC (Panel PC)
	Shield (housing)

Connecting cable:
cab-las2-PPC-2m

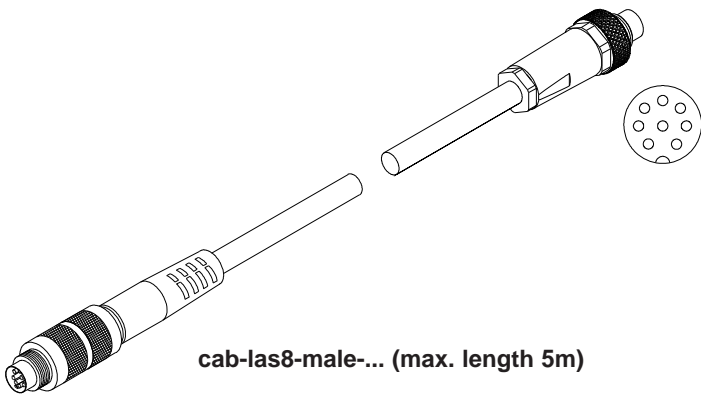
Connection of MPLEX-08 to PLC
3-pole connector Binder series 712:

Pin:	Assignment:
1	GND (0V)
2	+24VDC (± 10%)
3	+Ub-PPC (Panel PC) (e.g.+24V for SI-TSD-15“)
	Shield (housing)

Connecting cable:
cab-las3-SPS-2m

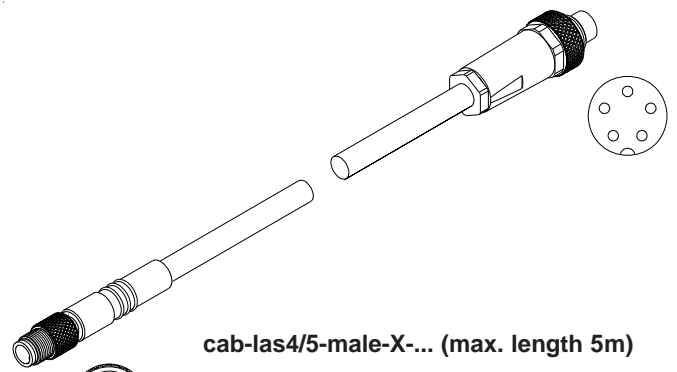


Connecting Cables



cab-las8-male-... (max. length 5m)

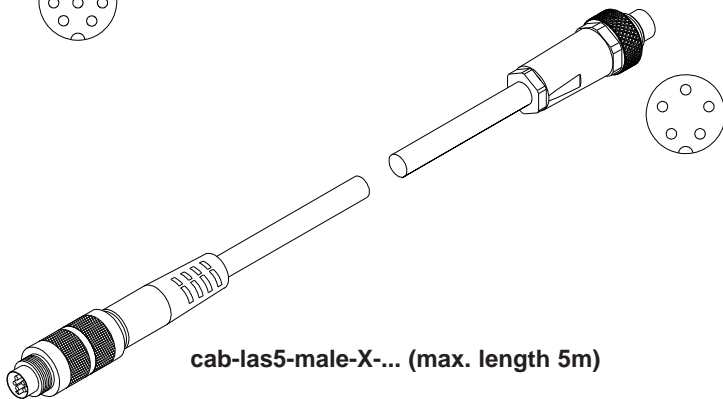
Connection of MPLEX-08 to Sensor1 ... Sensor8



cab-las4/5-male-X-... (max. length 5m)

Connection of MPLEX-08 to Serial1 ... Serial8

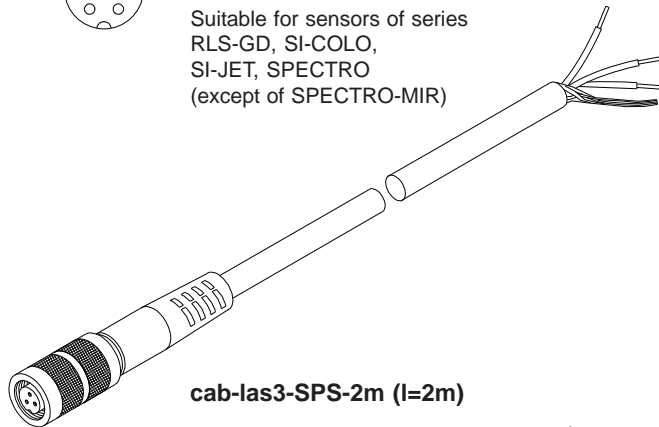
Suitable for sensors of series A-LAS, L-LAS, SPECTRO-MIR)



cab-las5-male-X-... (max. length 5m)

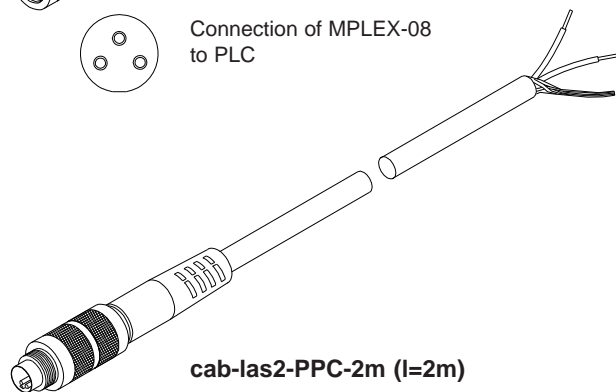
Connection of MPLEX-08 to Serial1 ... Serial8

Suitable for sensors of series RLS-GD, SI-COLO, SI-JET, SPECTRO (except of SPECTRO-MIR)



cab-las3-SPS-2m (l=2m)

Connection of MPLEX-08 to PLC



cab-las2-PPC-2m (l=2m)

Connection of MPLEX-08 to a Panel PC



cab-eth/100Mb-X-... (max. length 5m)
Crossover cable



cab-las25-SIG-2m (l=2m)
Connection of MPLEX-08 to SIG1-4 ... SIG5-8



Power Supply

PS-24V-3,3A/80W-712/3

Power supply

(Please order separately)

- Secondary 24VDC; current max. 3,3A; power 80W
- Power supply: 100...240Veff.; 50...60Hz; 550mA
- Secondary 3-pole circular connector Binder Series 712
- Cable length 2m

Assignment of 3-pole circular connector Binder Series 712:

Pin no.	Assignment:
1	GND (0V)
2 3]	Bridge +Ub (24VDC)
Shield	Housing



Panel PC

SI-TSD-15" Win7 (Panel PC)

incl. Windows 7 operating system

(Please order separately)

The SI-TSD-15" Win7 is a small and powerful PC system that is suitable for use in harsh work environments.

It is distinguished from standard PC systems through silent operation and an increased stability, especially through the robust aluminum housing and by the lack of moving parts.

The fanless design and rich I/O capability make the SI-TSD-15" Win7 a product that can be used in a wide variety of applications.

The SI-TSD-15" Win7 Panel PC is suitable especially for use in industrial applications, such as machine control, and many other fields of application.

We recommend the use of Panel PC SI-TSD-15" Win7 together with the multiplexer MPLEX-08 as well as the mounting unit MOUNT-MPLEX-08/SI-TSD-15".

