

FIO Series

► KL-D-0°/40°-9-A2.0

Optical frontend

- Suitable for through-beam fiber optics of type D-S-A2.0-(2.5)-...-67° (fiber optics is available in various lengths)
- Working distance typ. 9 mm (vertical mounting only!)
- 40° angle of the two optics to each other
- Also suitable for detecting highly absorbent objects (e.g. black painted parts)
- Minimum color change with a change in the distance
- Can be focused
- Scratch-resistant optics made of glass
- Sturdy aluminum housing, anodized in black



Design

Product name:

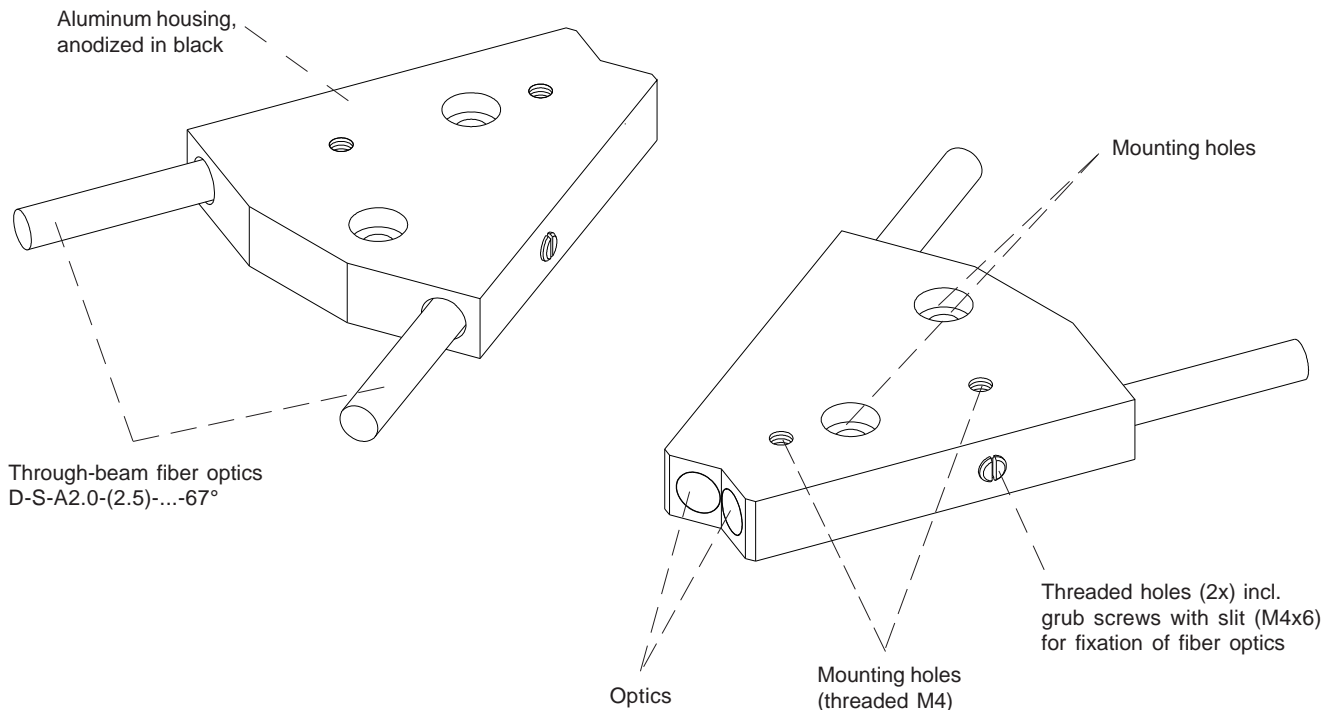
KL-D-0°/40°-9-A2.0

Suitable for fiber optics (please order separately):

Through-beam fiber optics

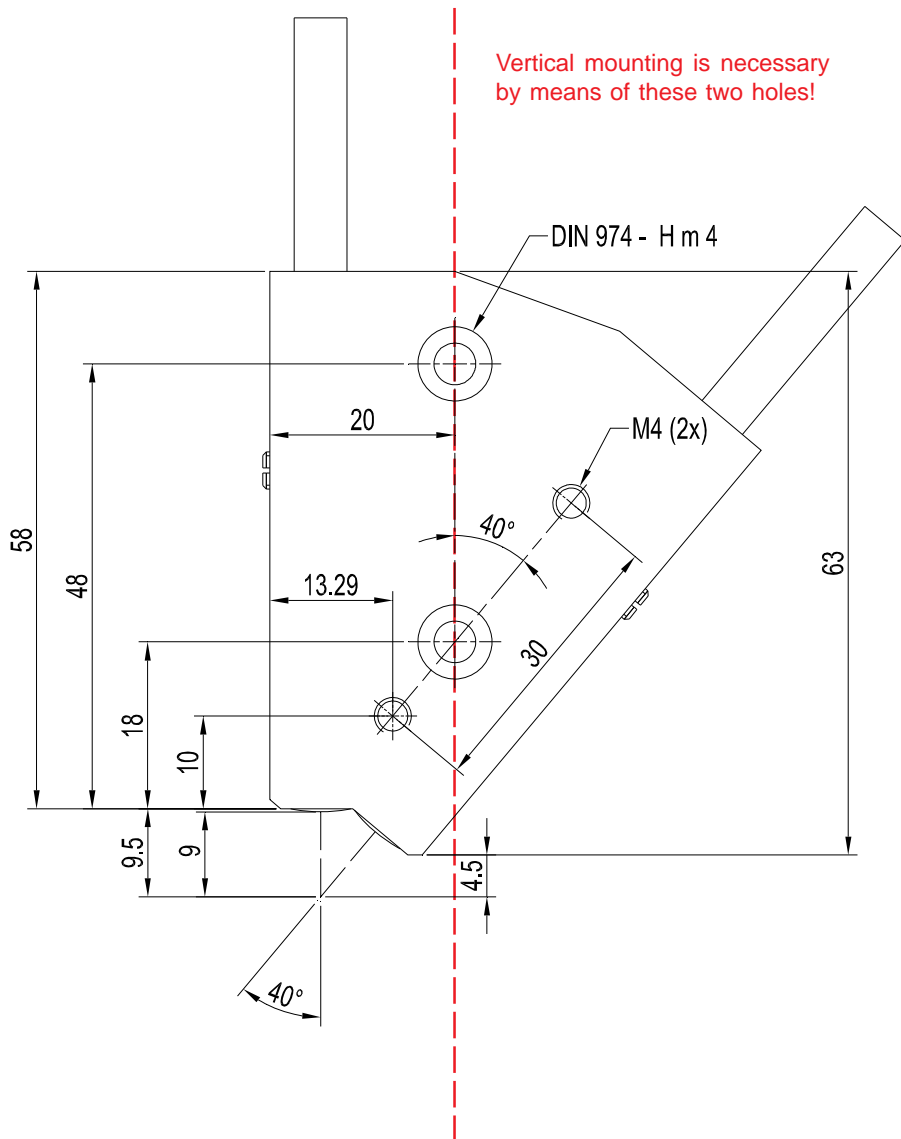
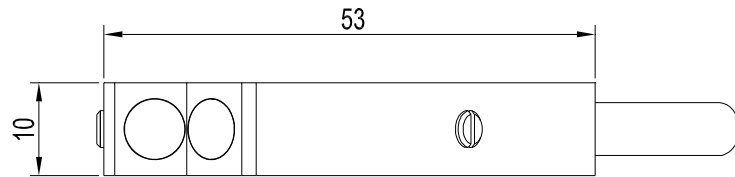
D-S-A2.0-(2.5)-(length)-67°

(standard lengths for fiber optics: 600 mm or 1200 mm)



Dimensions

KL-D-0°/40°-9-A2.0



All dimensions in mm