

FIO Series

► KL-D-M12-0°/30°-9-A3.0 Optical frontend

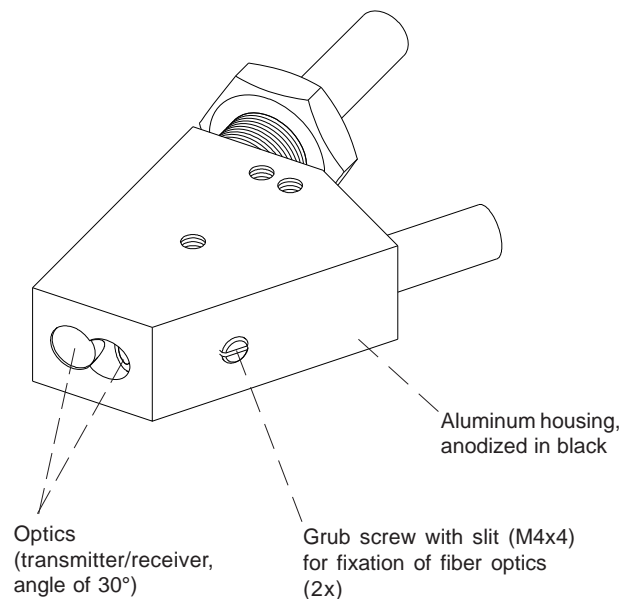
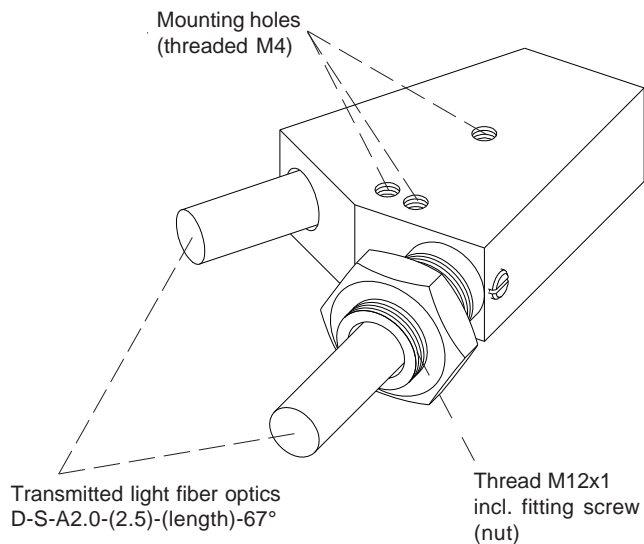
- Optical frontend for transmitted light fiber optics with sensor head type D-S-A3.0-(3.0)-(length)-67° (fiber optics available in various lengths)
- Transmitter and receiver branch at an angle of 30°
The transmitter light conductor (0°/30° method) is perpendicular to the surface to be measured
- Object distance typ. 9 mm
- Suitable for hologram color detection
- Sturdy aluminum housing, anodized in black
- M12x1 thread for mounting



Design

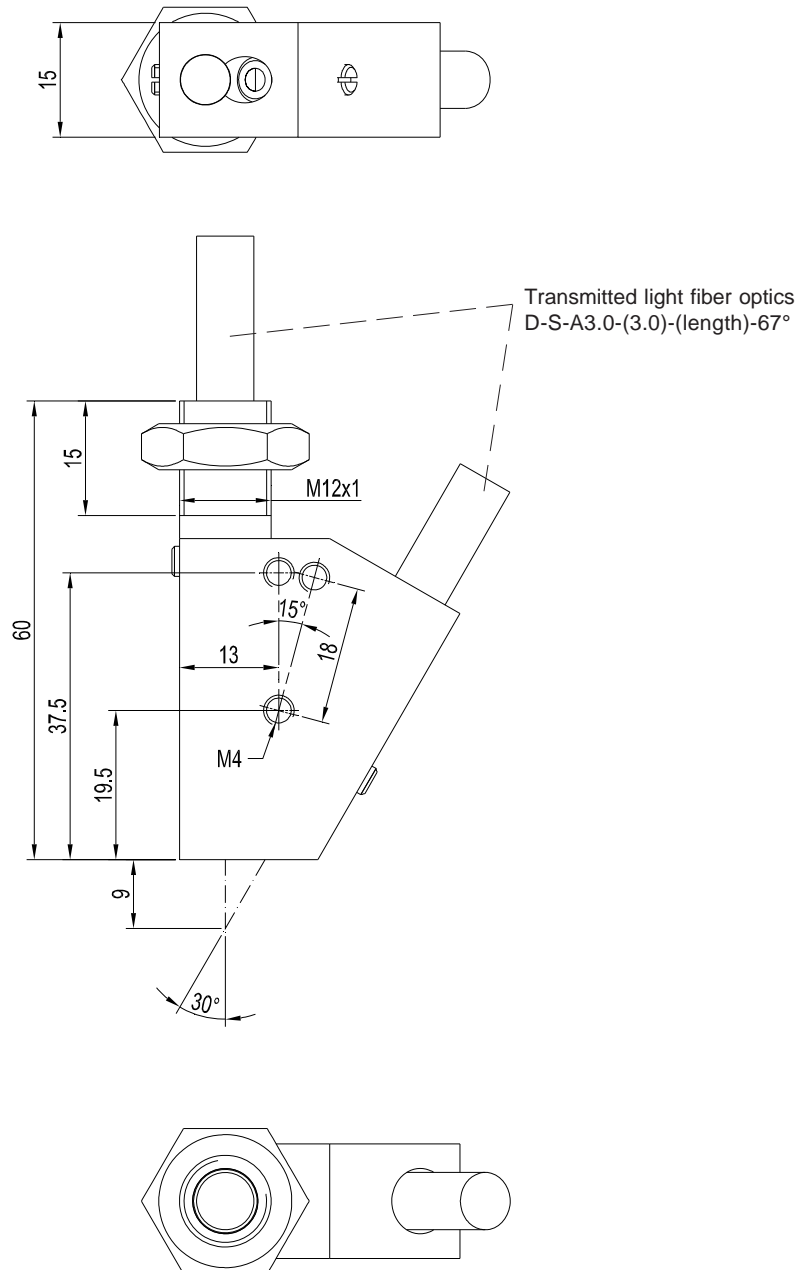
Product name:

KL-D-M12-0°/30°-9-A3.0 Suitable for fiber optics (please order separately)
Through-beam fiber optics
 D-S-A3.0-(3.0)-(length)-67°
 (standard lengths for fiber optics: 600 mm or 1200 mm)



Dimensions

KL-D-M12-0°/30°-9-A3.0



All dimensions in mm