

FIO Series (Accessories)

► MOUNT-A2.0/A2.0-0°/0°-7

Mounting unit for fiber optics of type
D-S-A2.0-(2.5)-... or R-S-A2.0-(2.5)-...

- For mounting and optimum alignment of one transmitted light fiber optics type D-S-A2.0-(2.5)-... or of two reflected light fiber optics type R-S-A2.0-(2.5)-...
- Vertical mounting (0°/0°)
- Center distance of the two optics: 7mm
- Fixation of the fiber optics by means of plastic screws
- Various mounting possibilities
- Sturdy housing material (aluminum, anodized)
- Housing dimensions (LxWxH) approx. 24mm x 21mm x 15mm

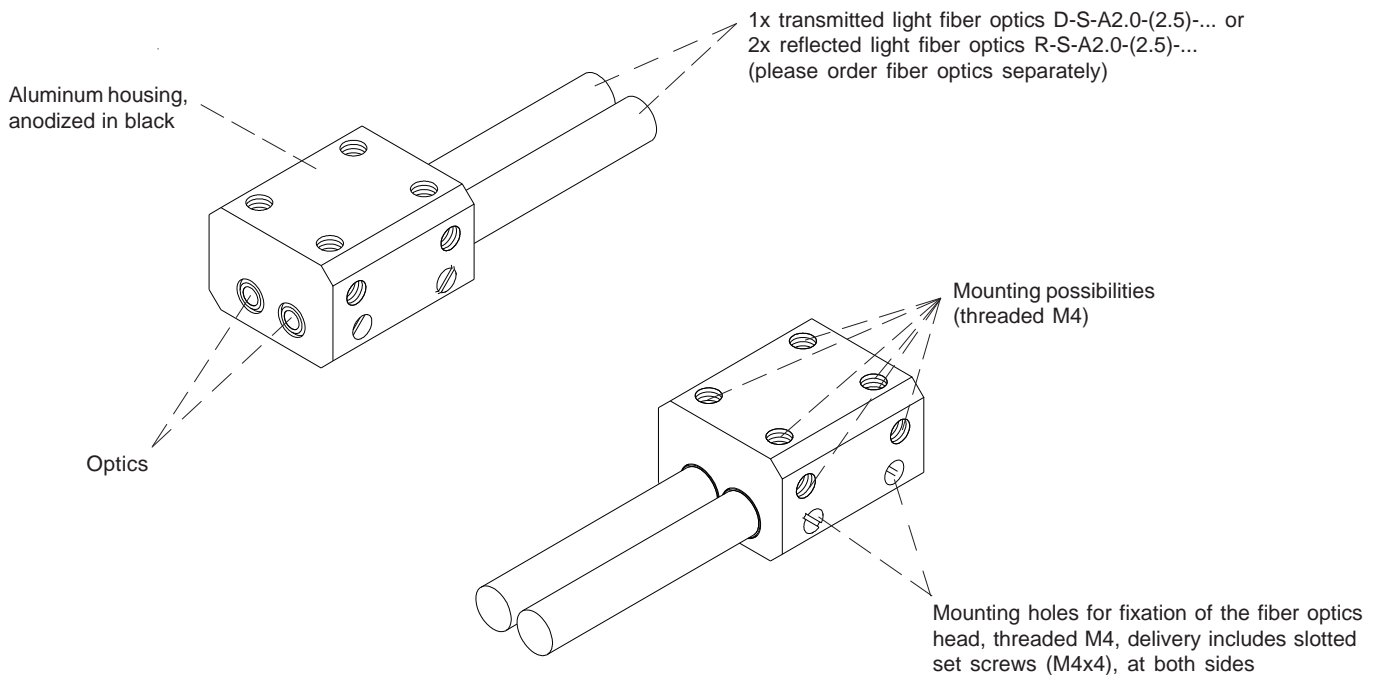


Design

Product name:

MOUNT-A2.0/A2.0-0°/0°-7 suitable for 1x transmitted light fiber optics D-S-A2.0-(2.5)-... or 2x reflected light fiber optics R-S-A2.0-(2.5)-...

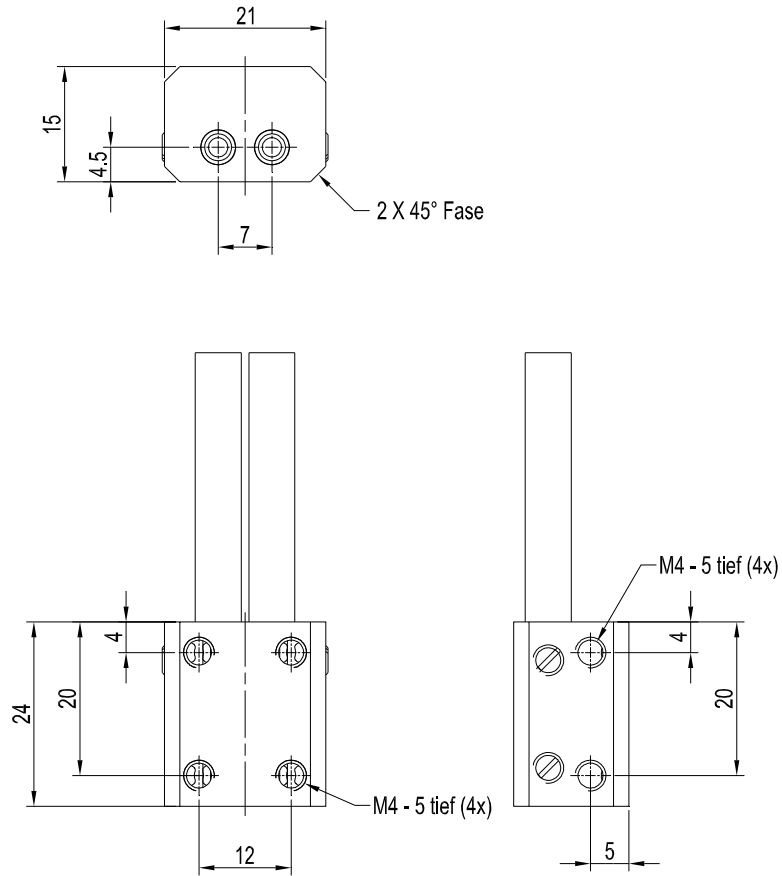
This mounting unit including fiber optics is used in connection with a SPECTRO-1-FIO or a SPECTRO-2-FIO sensor for distance measurement according to the BICONE principle.





Dimensions

MOUNT-A2.0/A2.0-0°/0°-7



All dimensions in mm