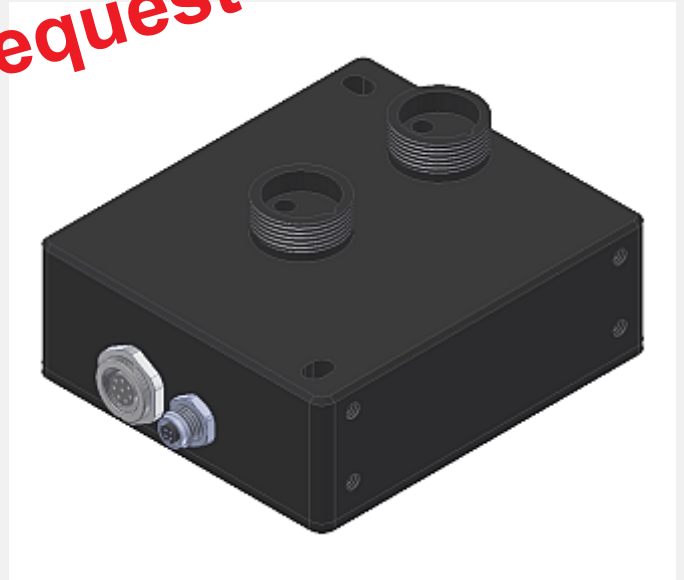


SPECTRO Series

► SPECTRO-3-FIO-MSM-ANA-VISUV-DL

- **Color measurement** (color, contrast, and gray scale detection)
- Various fiber optics for transmitted light operation, V-arrangement or reflected light operation
- Object distance (measuring range) typ. 1 mm ... 500 mm (depends on fiber optics and optical frontend sensor)
- $L^*a^*b^*$, $L^*C^*h^*$, $L^*u^*v^*$, L^*u^*v' and x, y, z evaluation (CIE standard)
- Up to 3 colors can be processed
- D65-similar LED light source by means of warm-white LEDs and interference filter, deep-blue LEDs and UV-LEDs (AC- or DC-operation can be switched)
- Insensitive to outside light (in AC-operation)
- Scan frequency max. 90 kHz (in DC-operation)
- Switching frequency typ. 60 kHz
- 3 analog outputs to output color values to PLC
- 2 digital outputs to output taught colors
- TEACH via PC or PLC (external input)
- Various evaluation algorithms can be activated
- "BEST HIT" mode ("human color assessment")
- Averaging can be activated (from 1 up to over 32000 values)
- Parameterizable via Windows® software, scope function
- RS232 interface (USB or Ethernet converter available)
- Temperature compensated
- Color measurement of luminous objects (LEDs, halogen lamps, displays, ...)
- 3-color filter detector (true color detector: "human color perception")



Available on request

Design

Product name:

SPECTRO-3-FIO-MSM-ANA-VISUV-DL

(incl. Windows® PC software
SPECTRO3-MSM-ANA-Scope)

Suitable fiber optics:

(please order separately)

for transmitted light operation or „V“ arrangement:

Transmitter fiber optics:
R-S-A2.0-(2.5)-1200-67° or
R-S-A3.0-(3.0)-1200-67°
Receiver fiber optics
R-S-A2.0-(2.5)-1200-22°/67°-UV or
R-S-A3.0-(3.0)-1200-22°/67°-UV

for reflected light operation:

„Y“ fiber optics:
R-S-A2.0-(2.5)-1200-Y-(67°+67°)/(67°+22°)-UV
or R-S-A3.0-(3.0)-1200-Y-(67°+67°)/(67°+22°)-UV

Fiber optics adapter (receiver) for connection of a receiver fiber optics (in case of transmitted light operation/V arrangement) or of the receiver side (67°+22°)-UV of the „Y“ fiber optics (in case of reflected light operation)

Accessories: (p. 8-15)

Fiber optics Mounting devices

Fiber optics adapter (transmitter) for connection of a transmitter fiber optics (in case of transmitted light operation/V arrangement) or of the transmitter side (67°+67°) of the „Y“ fiber optics (in case of reflected light operation)



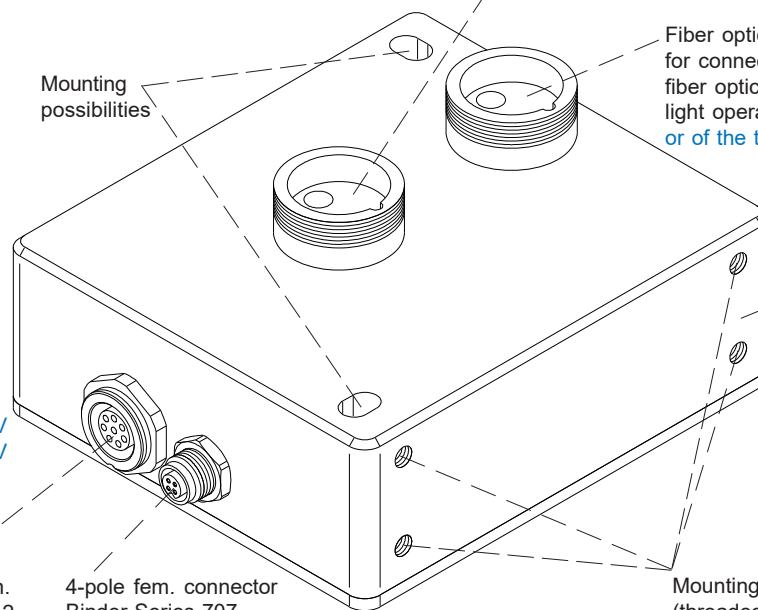
8-pole fem. conn.
Binder Series 712
(connection to PLC)

4-pole fem. connector
Binder Series 707
(RS232 Interface)

Connecting cable:
cab-las8/SPS

Connecting cable: cab-las4/PC or cab-4/USB or cab-4/ETH

Mounting possibilities



Sturdy aluminum housing, anodized in black

Mounting possibilities (threaded M4)