

Accessories

► cab-4/USB-...

This converter enables the connection of sensors with a serial USB interface to a PC

- Voltage supply galvanically isolated:
+24VDC via sensor
+5V via USB-HUB
- Two cable lengths available (2m or 5m)
- 4-pole circular connector Binder Series 707



Design

Product name:

cab-4/USB-2m (total length approx. 2m)

cab-4/USB-5m (total length approx. 5m)

(incl. driver software „Self Installing Executable“, cf. page 5)

PUR cable:

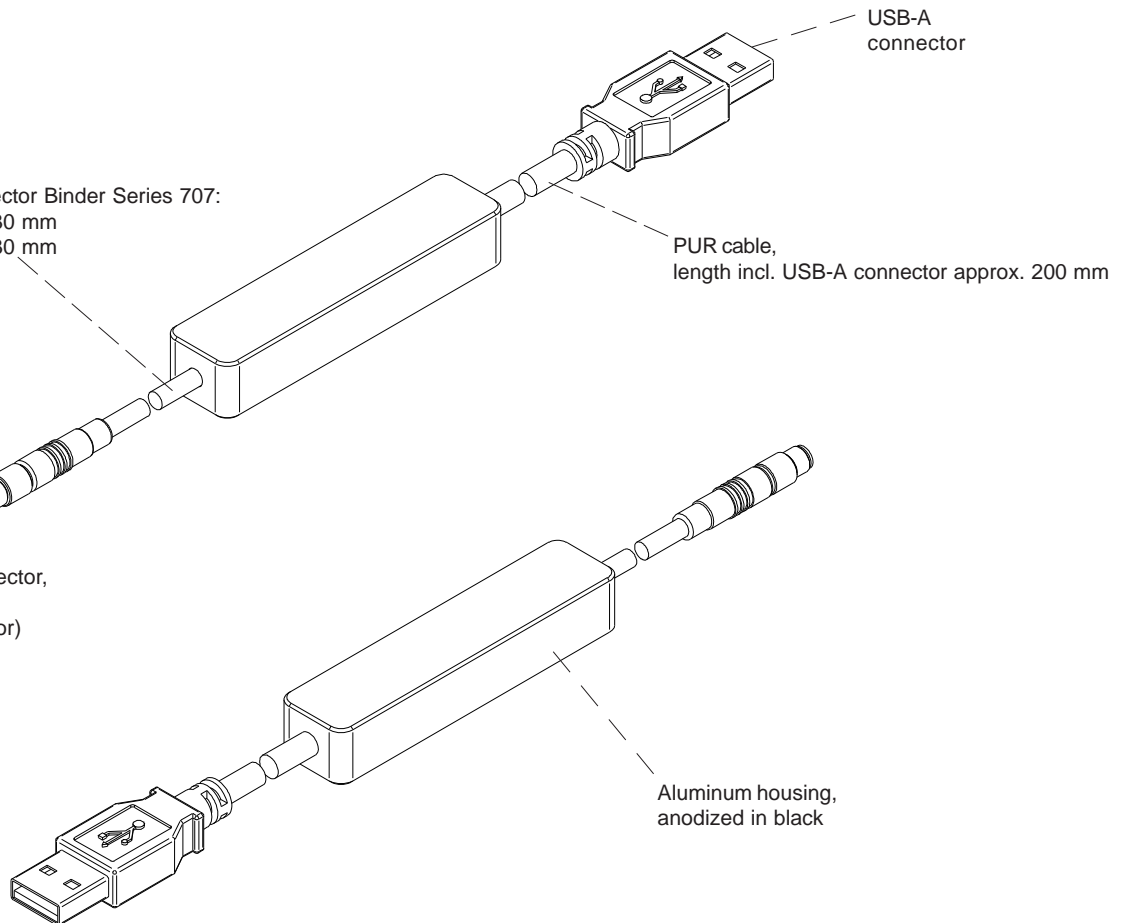
Cable length incl. 4-pole connector Binder Series 707:
for cab-4/USB-2m: approx. 1730 mm
for cab-4/USB-5m: approx. 4730 mm

4-pole circular connector,
Binder Series 707
(connection to sensor)

USB-A
connector

PUR cable,
length incl. USB-A connector approx. 200 mm

Aluminum housing,
anodized in black



**Product Information****Applications**

With the cab-4/USB-... converter many of our sensors can be connected via the widespread USB interface of the PC. Parameterization thus can be done even if there is no RS232 interface available at the PC.

Due to the galvanic isolation of the sensor side from the PC side it is guaranteed, that potential differences between PC and Sensor cannot result in malfunctions. Both connectors at the sensor side as well as at the PC side are short circuit proof and reserved polarity protected.

Driver/Driver Installation

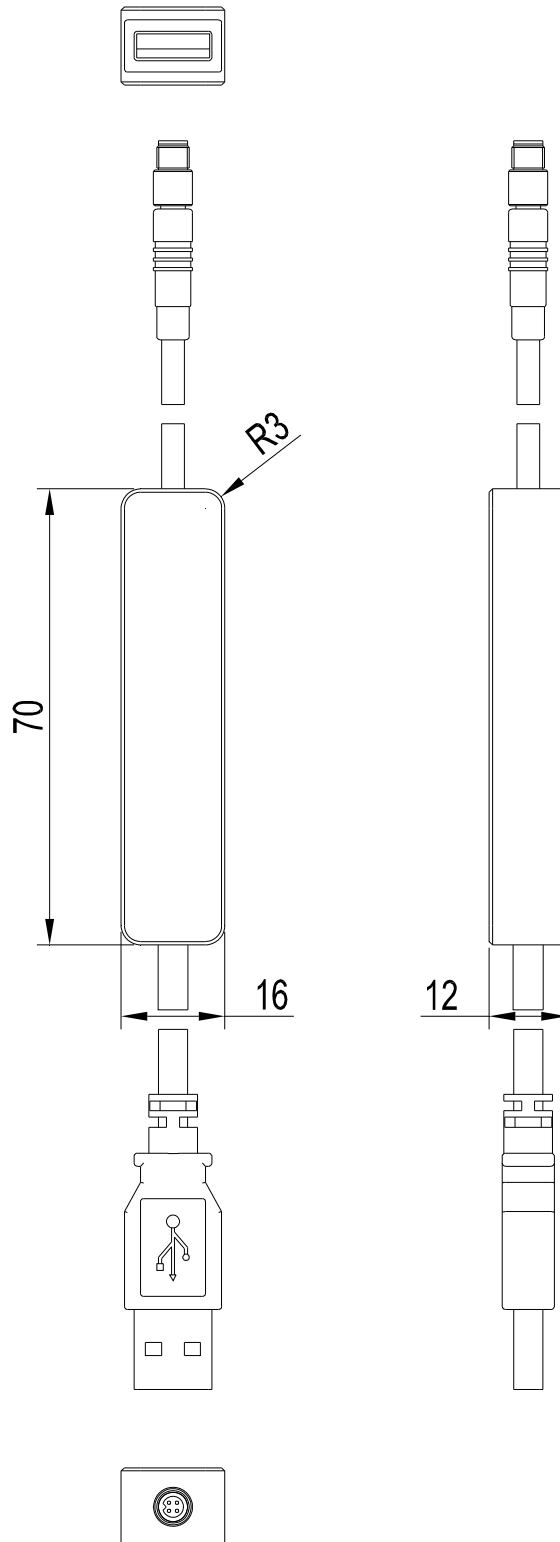
How to download the driver software „Self Installing Executable“ can be found on page 5.

**Technical Data**

Model	cab-4/USB-...
Voltage supply	+24VDC (via sensor) + 5V (via USB HUB)
Current consumption	max. 20mA
Data rate	19200baud
Temperature range	-25°C ... +65°C
Enclosure rating	IP50
Housing material	Aluminum, anodized in black
Housing dimensions	LxWxH approx. 70 mm x 16 mm x 12 mm
Type of connector	4-pole connector type Binder Series 707
Cable length	Total length approx. 2000 mm or 5000 mm

Dimensions

cab-4/USB-...

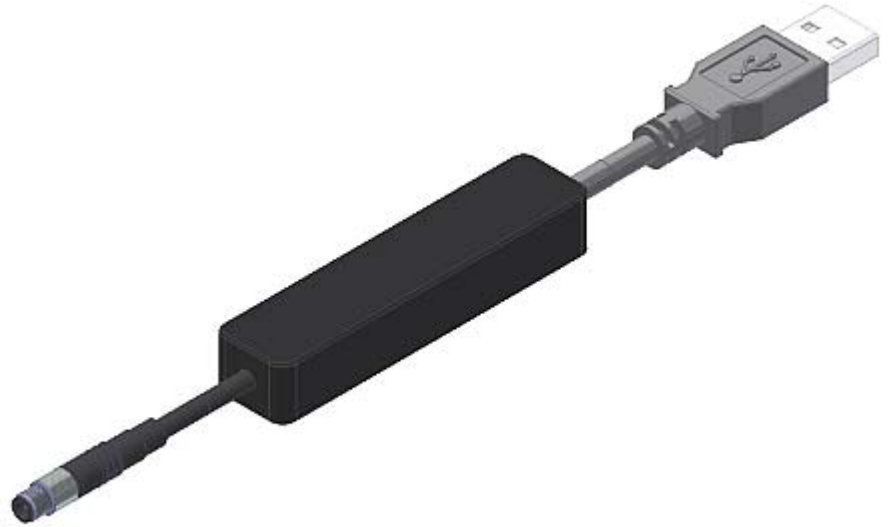
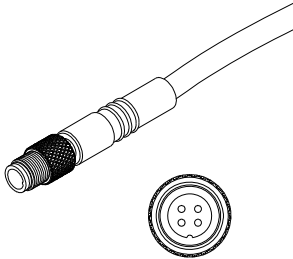


(All dimensions in mm)

**Connector Assignment****cab-4/USB-...**

4-pole connector Binder Series 707:

Pin:	Assignment:
1	+24VDC (+Ub, OUT)
2	GND (0V)
3	RxD
4	TxD





Driver

The current driver „Self Installing Executable“ is available for download via the website of the software vendor:
<http://www.ftdichip.com/Drivers/VCP.htm>

Currently Supported VCP Drivers:

Operating System	Release Date	Processor Architecture							Comments	
		x86 (32-bit)	x64 (64-bit)	PPC	ARM	MIPSII	MIPSIV	SH4		
Windows*	2014-09-29	Available as setup executable Contact support1@ftdichip.com if looking to create customised drivers			-	-	-	-	-	2.12.00 WHQL Certified Available as setup executable Release Notes