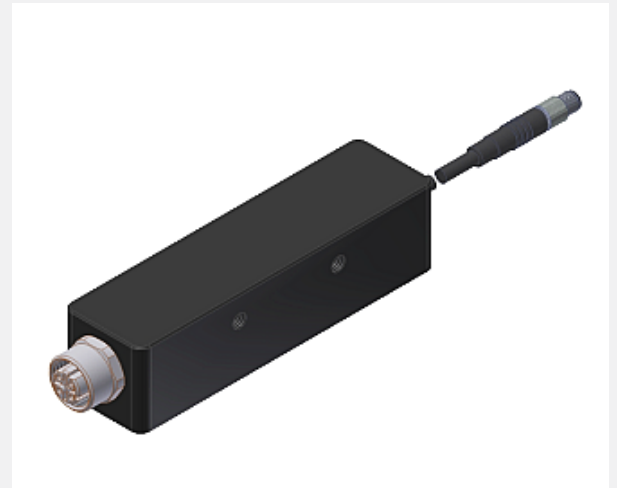


# Accessories

## ► cab-4/ETH-500

This network adapter converts standard RS232 signals of the sensor and provides an interface to a LAN network. The RS232 interface can be operated up to 115200 baud.

- Auto-MDI-X able, supports DHCP
- Cable (length 500 mm) with a 4-pole connector Binder Series 707 for connection to standard RS232 fem. connector of the sensor
- M12 fem. connector (D-coded), enables the connection of an external CAT5 cable with an suitable M12 connector (D-coded)
- Aluminum housing
- IP67
- incl. configuration software „SensorFinder“

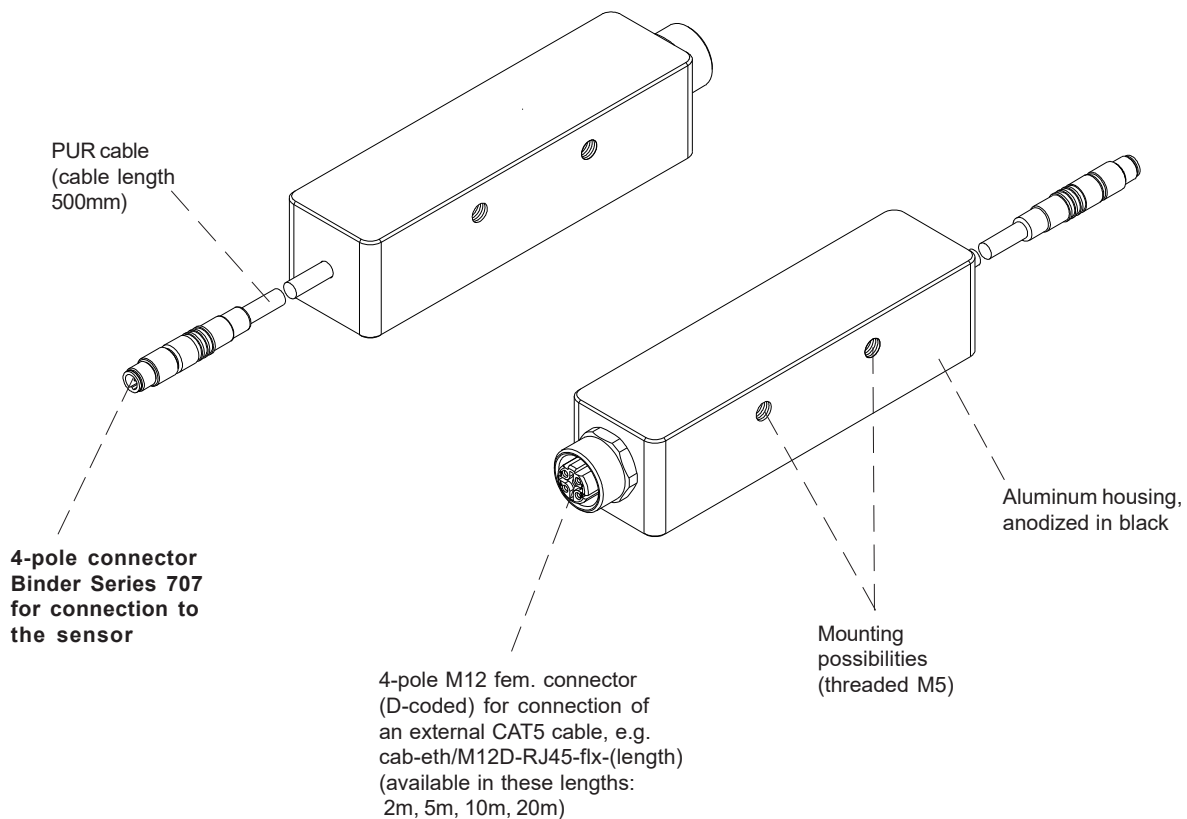


Design

### Product name:

#### **cab-4/ETH-500**

(incl. software „SensorFinder“)





**Specification**
**Possible applications**

This adapter makes it possible to use the serial interface that many sensors have for integrating the sensor in a local network or internet. The adapter thus avoids the length limitation of serial cables.

Another advantage results from the possibility of bundling (several sensors can be controlled through the network by only one PC) and of distribution (one sensor can be controlled through the complete network by several PCs).

**Configuration**

The adapter must be configured once when it is connected to sensor and network. Relevant settings such as the matching to the sensor's Baud rate and assigning an IP address can be made by the network administrator using a supplied (or downloadable) software with comfortable user interface. The settings are saved and will not be lost even after a hardware reset.

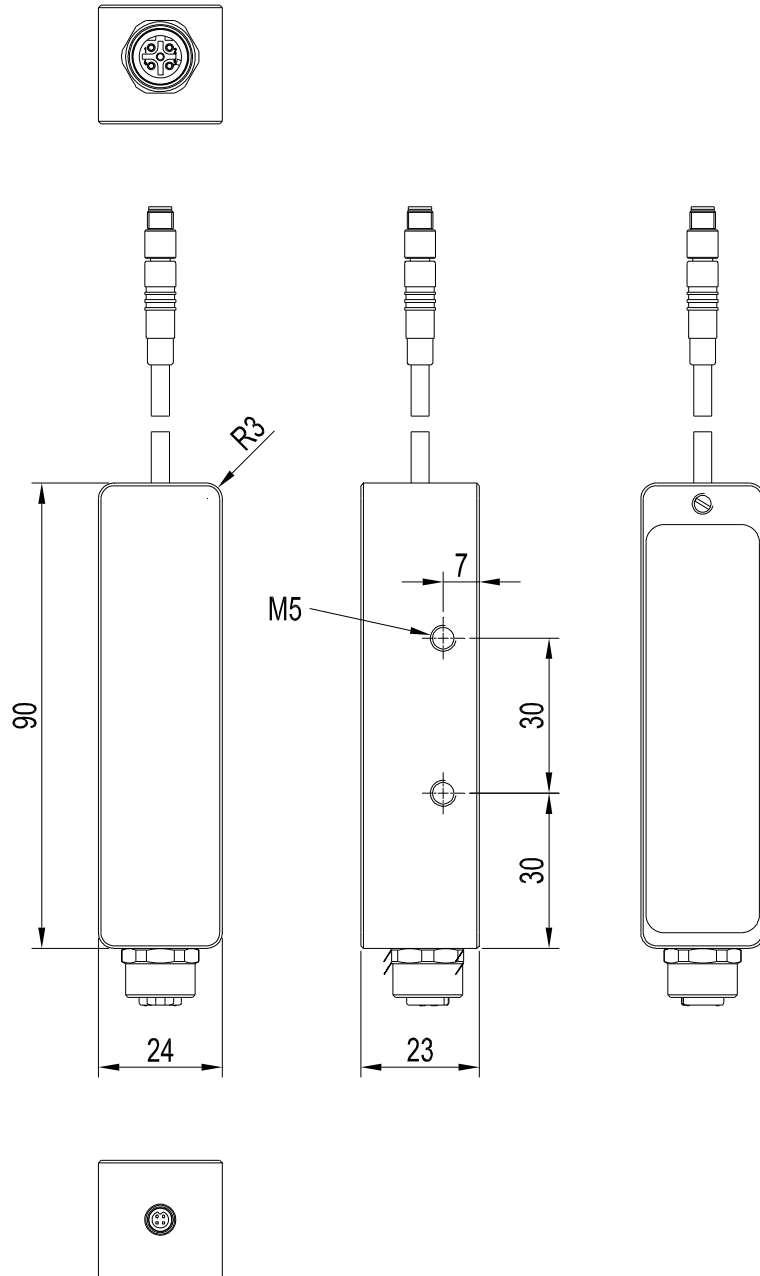


**Technical Data**

Type	<b>cab-4/ETH-500</b>
Voltage supply	+12VDC .... +30VDC
Current consumption	max. 100mA
Data rate	9600 baud, 19200 baud, 38400 baud, 57600 baud, 115200 baud
LED indication "Ethernet"	1x LED yellow: Speed/Data 1x LED green: Link
LED indication "Status"	1x LED green: LED for Power 1x LED red: LED for Mode
Temperature range	-25°C ... +65°C
Enclosure rating	IP67
Housing material	Aluminum, anodized in black
Housing dimensions	LxWxH approx. 90 mm x 23 mm x 23 mm (without connector)
Length of cable to sensor	500 mm
Connector	to RS232: 4-pole connector Binder Series 707 to Ethernet: M12 (D-coded)
Ethernet connecting cable	external CAT5 cable, e.g.: cab-eth/M12D-RJ45-fix-(length) available in length 2m, 5m, 10m, or 20m

Dimensions

cab-4/ETH-500



(All dimensions in mm)

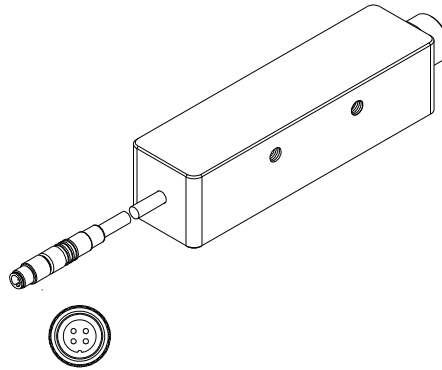


**Connector Assignment**

**cab-4/ETH-500**

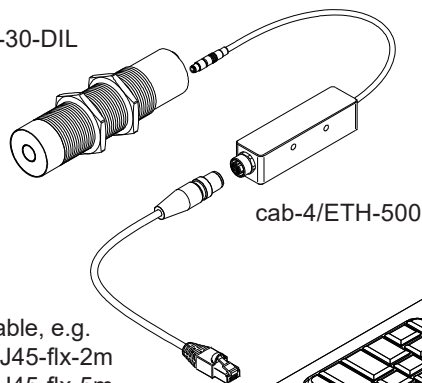
**4-pol. connector Series 707:**

Pin:	Assignment:
1	+24VDC (+Ub, OUT)
2	GND (0V)
3	RxD
4	TxD



**Connection Diagram**

Sensor, e.g.  
SPECTRO-3-30-DIL



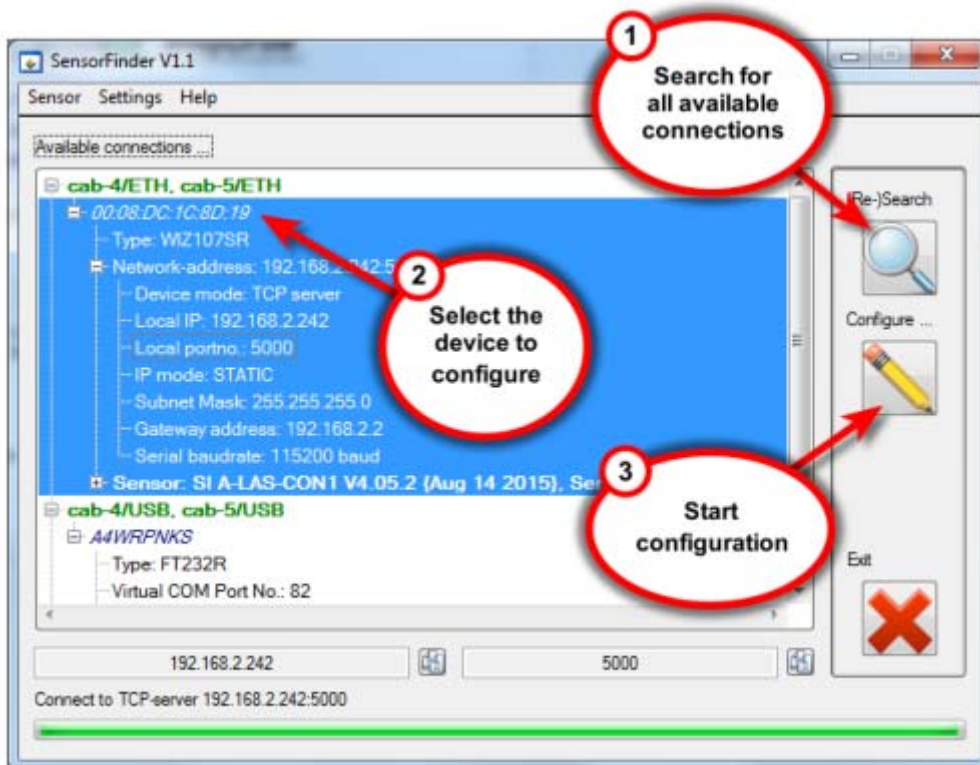
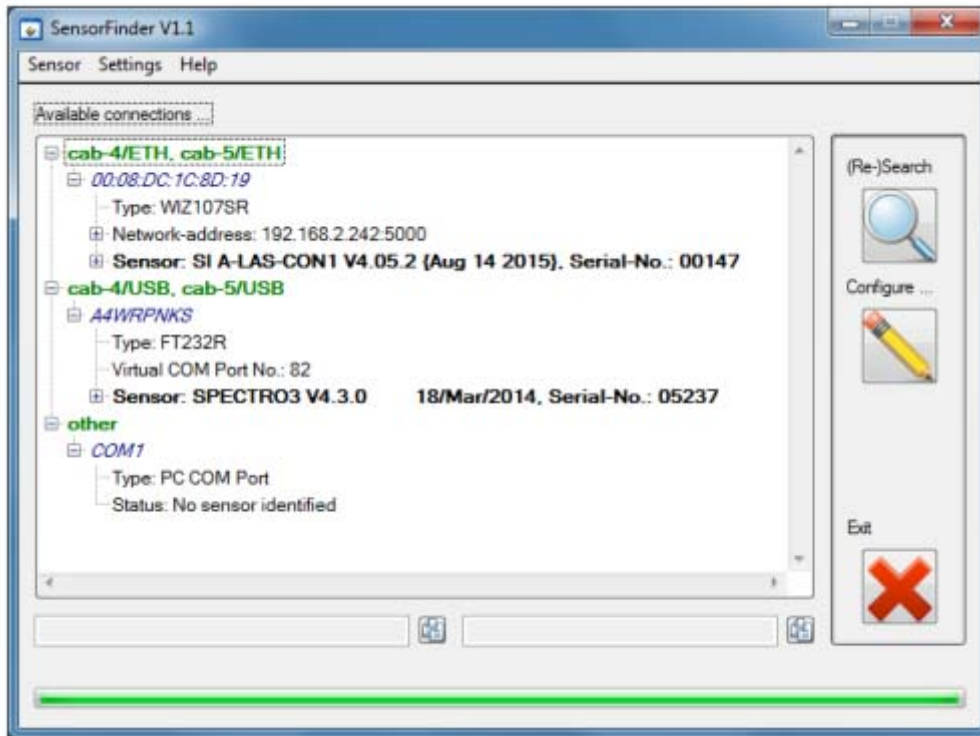
External CAT5 cable, e.g.  
cab-eth/M12D-RJ45-fix-2m  
cab-eth/M12D-RJ45-fix-5m  
cab-eth/M12D-RJ45-fix-10m  
cab-eth/M12D-RJ45-fix-20m

PC

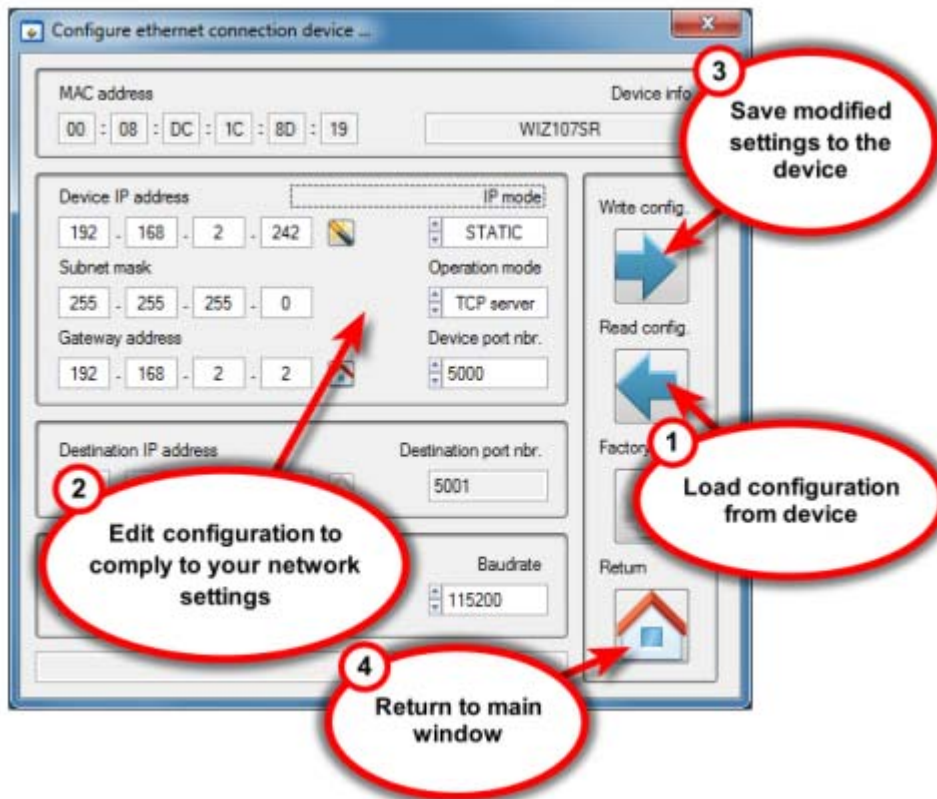


Software

Software „SensorFinder“ for configuration of the network adapter cab-4/ETH-500



Software



Settings

Parameter	Options
IP mode	DHCP: Automatically acquire device's IP from DHCP server. (Note: Use only if DHCP server is available in network segment) STATIC: Use IP address supplied by user.
Operation mode:	TCP server: Device operates as server, User-PC operates as client Other options currently not supported.
Gateway address:	Enter network default gateway address (Note: Only available in STATIC IP mode)
Subnet mask:	Enter network subnet mask (Note: Only available in STATIC IP mode)
Device IP address:	Enter device's IP address (Note: Only available in STATIC IP mode)
Device port nbr.:	Enter device's TCP port number (Note: Change only in case of network conflict; Default TCP port number: 5000)
Destination IP address:	(currently not available for change)
Destination port nbr.:	(currently not available for change)
Serial connection configuration:	Sensor-side serial settings (Note: currently not available for change)
Sensor baudrate:	Sensor-side serial RS232 baudrate (Note: Choose from options 9600, 19200, 38400, 57600 and 115200 baud the one matching the sensor's)