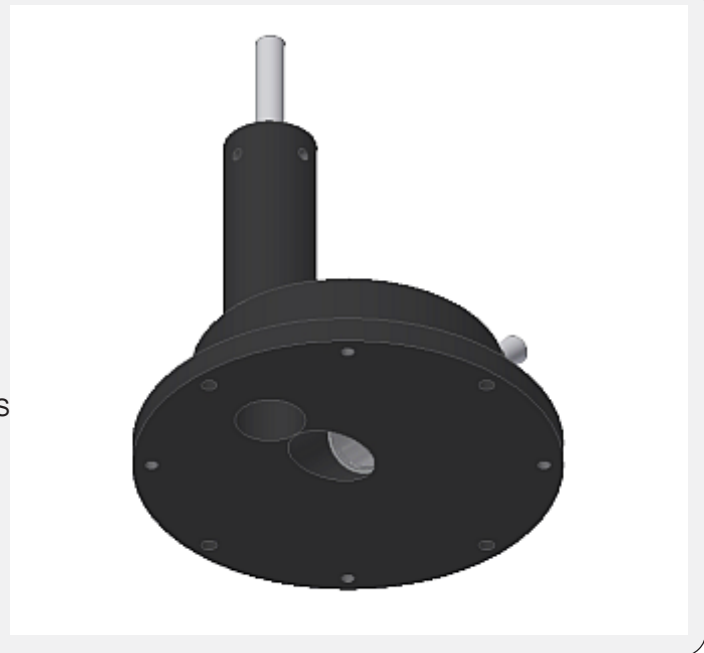


FIO Series

► **KL-D-45°/0°-22-d80/d110-A3.0**
Flange attachment plate for gauge glasses to measure the color of objects behind the glass plate

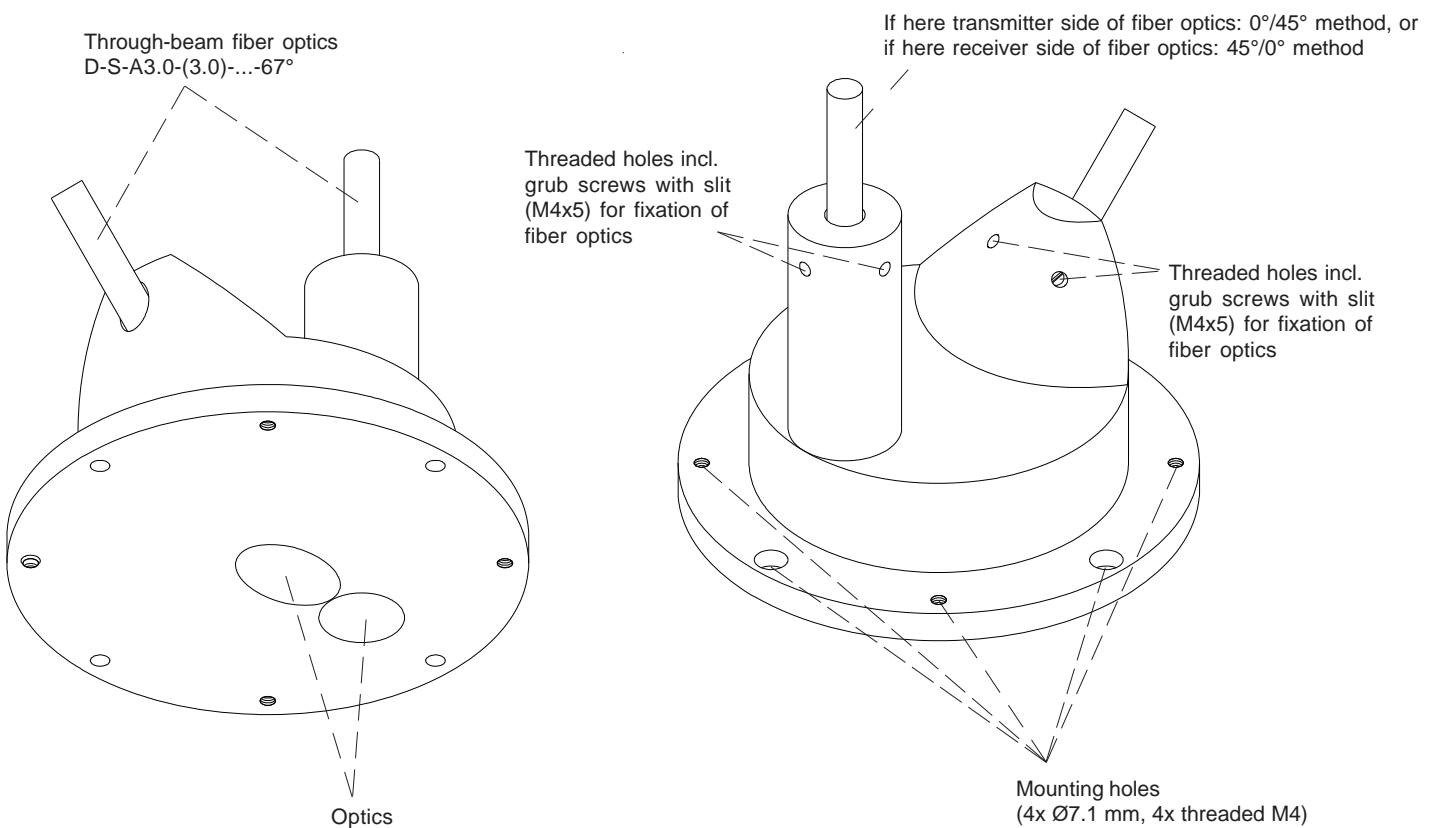
- Suitable for through-beam fiber optics D-S-A3.0-(3.0)-...-67° in conjunction with a color measurement sensor SPECTRO-3-FIO-MSM-DIG-VIS or SPECTRO-3-FIO-MSM-ANA-VIS
- Object distance typ. 22 mm
- Detection range typ. Ø 20 mm
- STransmitter and receiver branch at an angle of 45 °: Either the transmitter light conductor (0°/45° method) or the receiver light conductor (45°/0° method) is perpendicular to the surface to be measured
- Sturdy aluminum housing, anodized in black



Design

Product name:

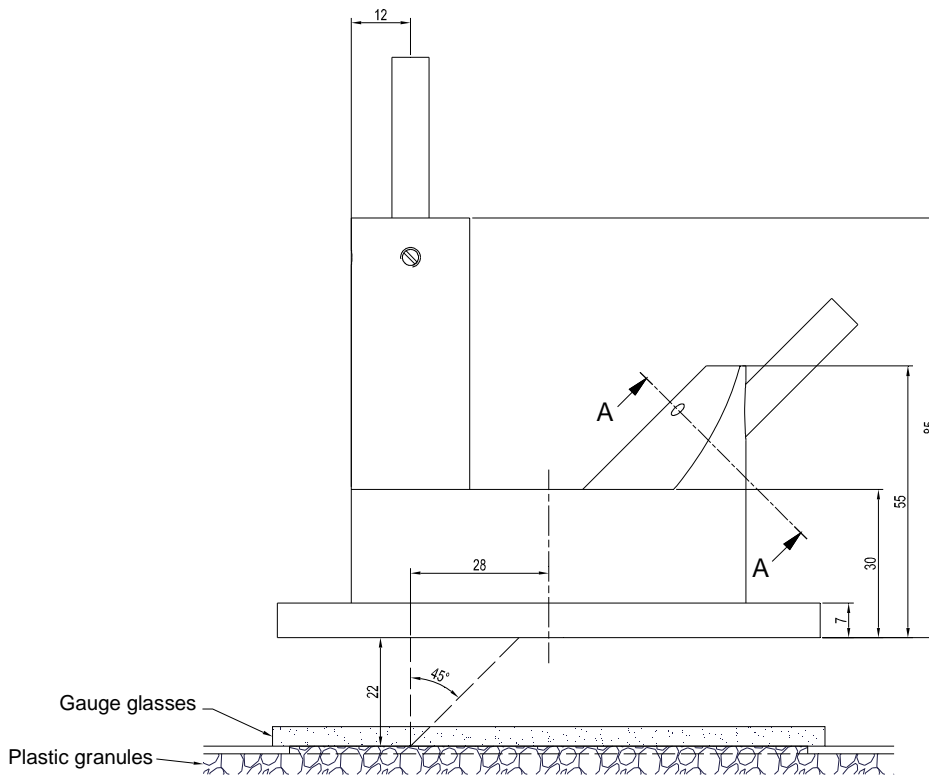
KL-D-45°/0°-22-d80/d110-A3.0 Suitable for fiber optics (please order separately)
Through-beam fiber optics
 D-S-A3.0-(3.0)-(length)-67°
 (standard lengths for fiber optics: 600 mm or 1200 mm)



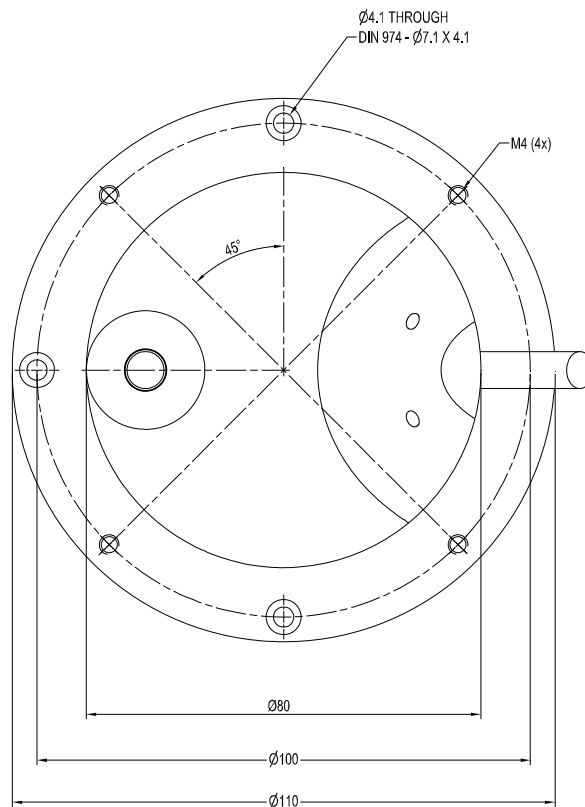
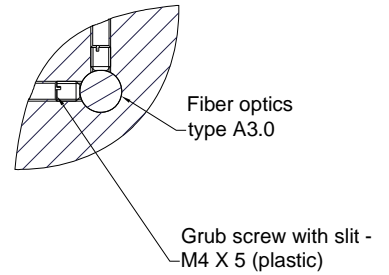


Dimensions

KL-D-45°/0°-22-d80/d10-A3.0



Section A-A



All dimensions in mm