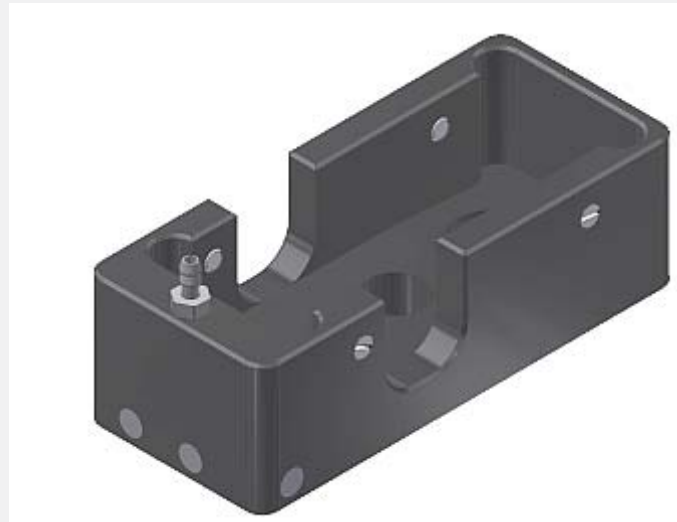


Accessories

▶ ABL-LT-250-CL

Blast air top for a laser line sensor
of type L-LAS-LT-250-CL

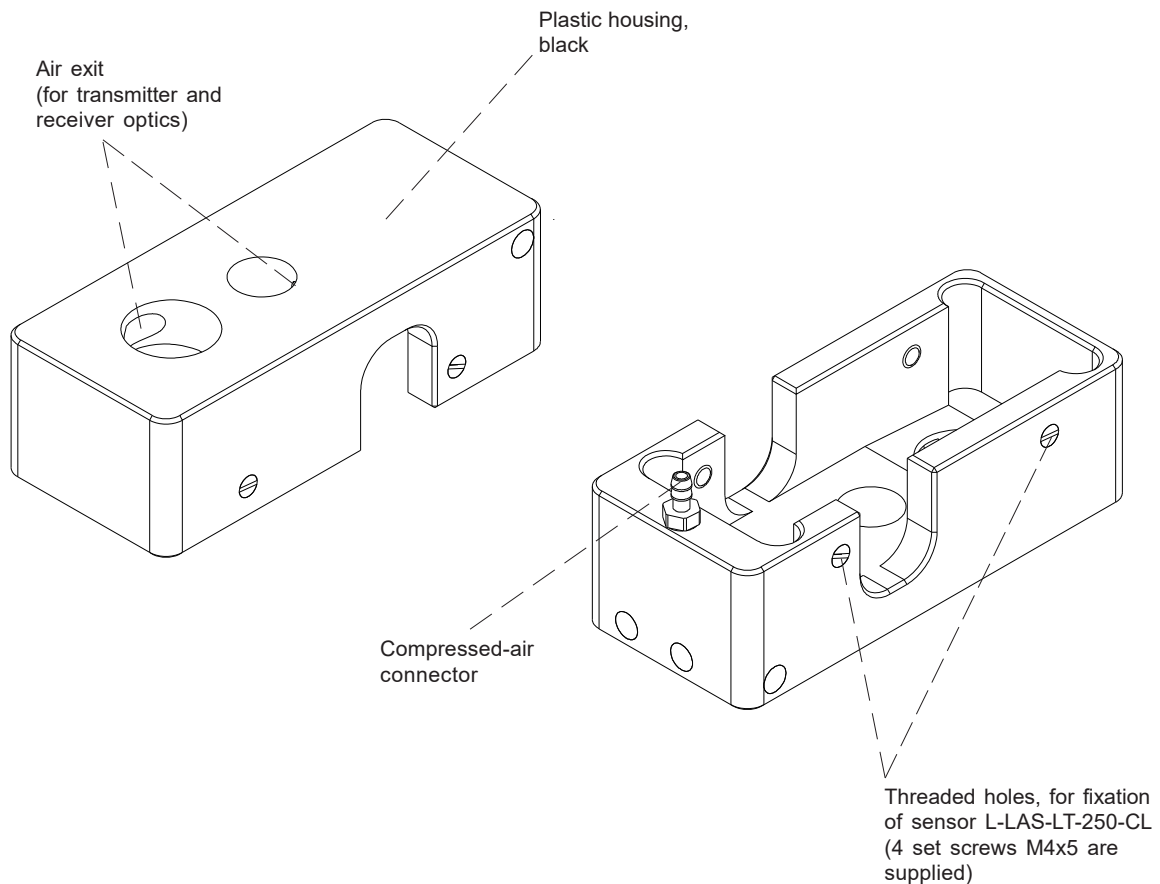
- Compressed-air connector
- Including 4 set screws for sensor fixation
- Housing dimensions approx. 70mm x 30mm x 22mm
- Sturdy plastic housing, black



Design

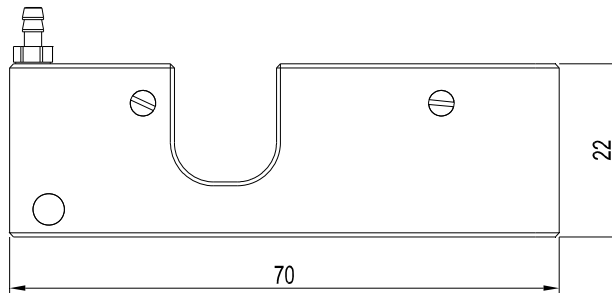
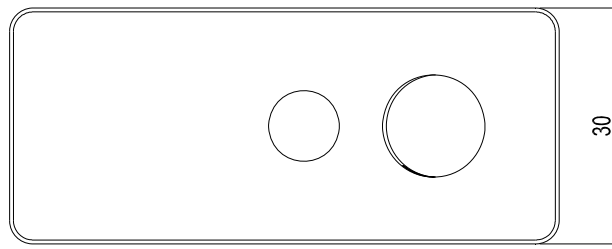
Product name:

ABL-LT-250-CL





Dimensions



(All dimensions in mm)

