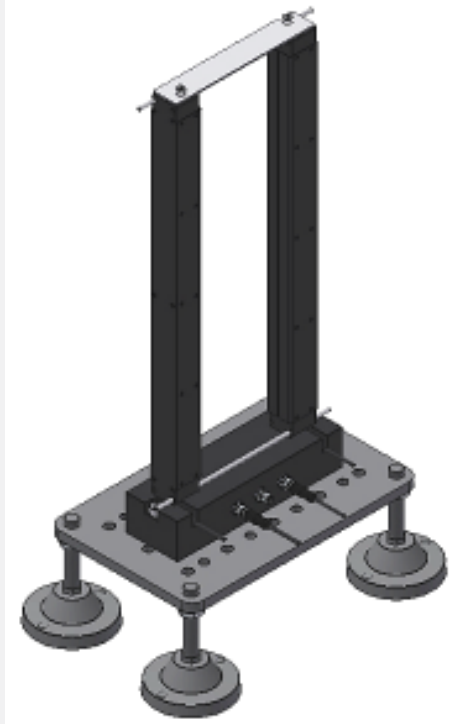


Accessories

► MOUNT-FLB-MSHC-160-FT

Mounting device with base plate and feet for light barrier type FLB-MSHC-600 (-T/-R) or FLB-MSHC-1020 (-T/-R)

- Mounting device for each one transmitter and receiver
- Distance between transmitter/receiver 160 mm
- Mouning device consisting of:
 - 1x transport safety (aluminum plate)
 - 2x alignment aid (aluminum rod)
 - 1x connector box for connection of the light barrier by means of 4-pole M12 fem. connector (connection of transmitter) or 8-pole M12 fem. connector (connection of receiver) and for connetion to PLC by means of 8-pole M12 connector
 - 1x base plate with 4 feet
- Sturdy material (aluminum, anodized in black)



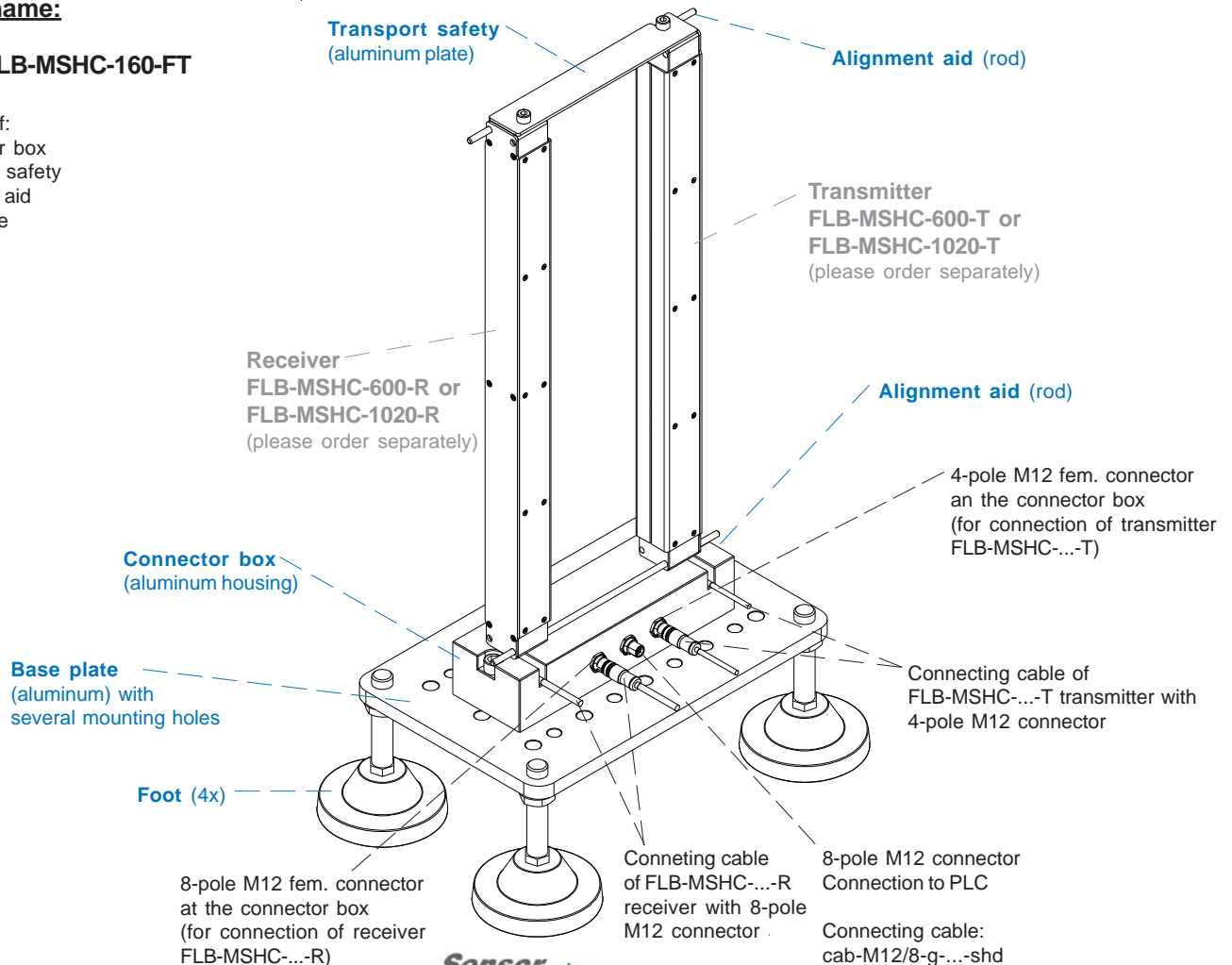
Design

Product name:

MOUNT-FLB-MSHC-160-FT

Consisting of:

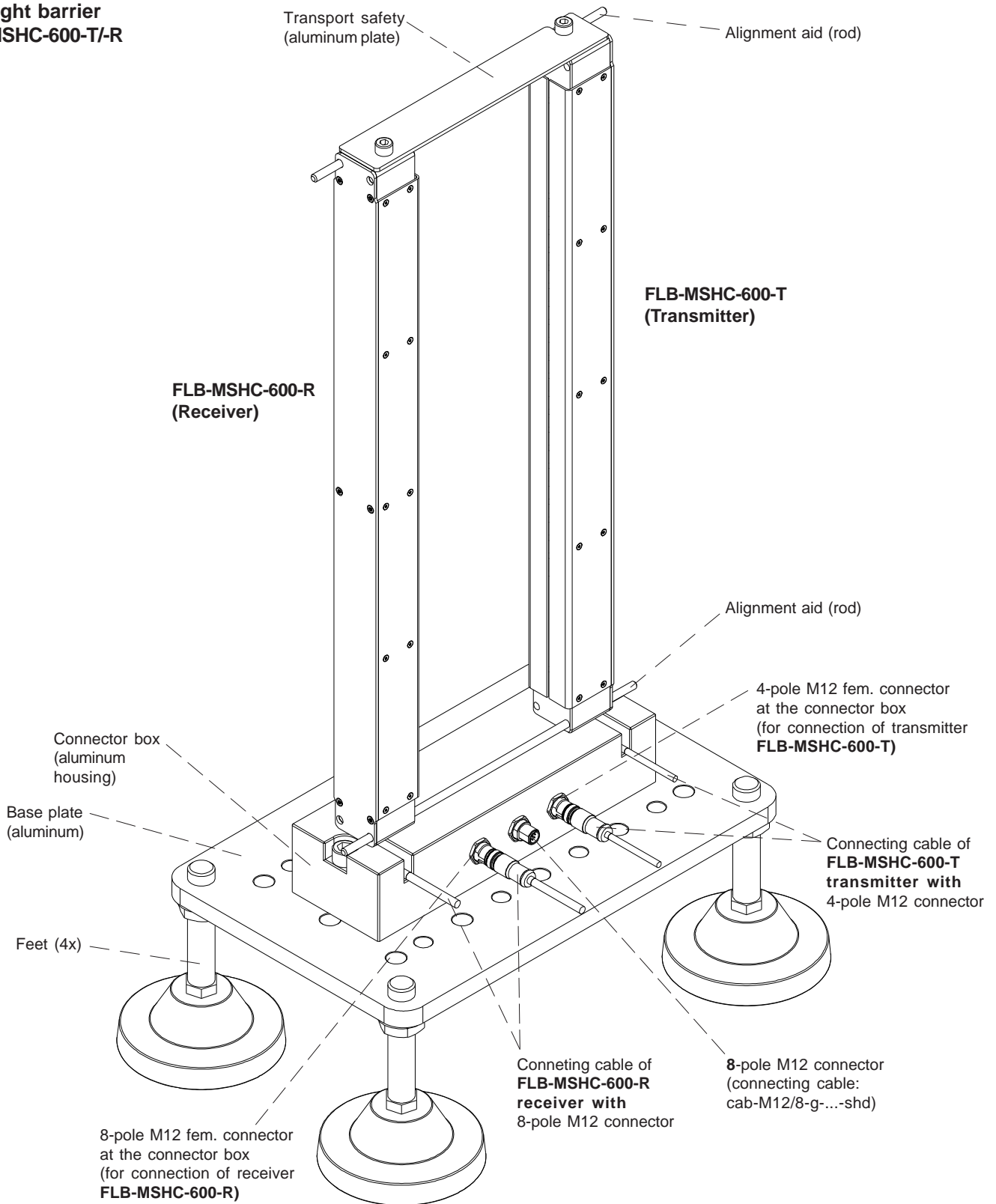
- 1x connector box
- 1x transport safety
- 2x alignment aid
- 1x base plate
- 4x foot





Details

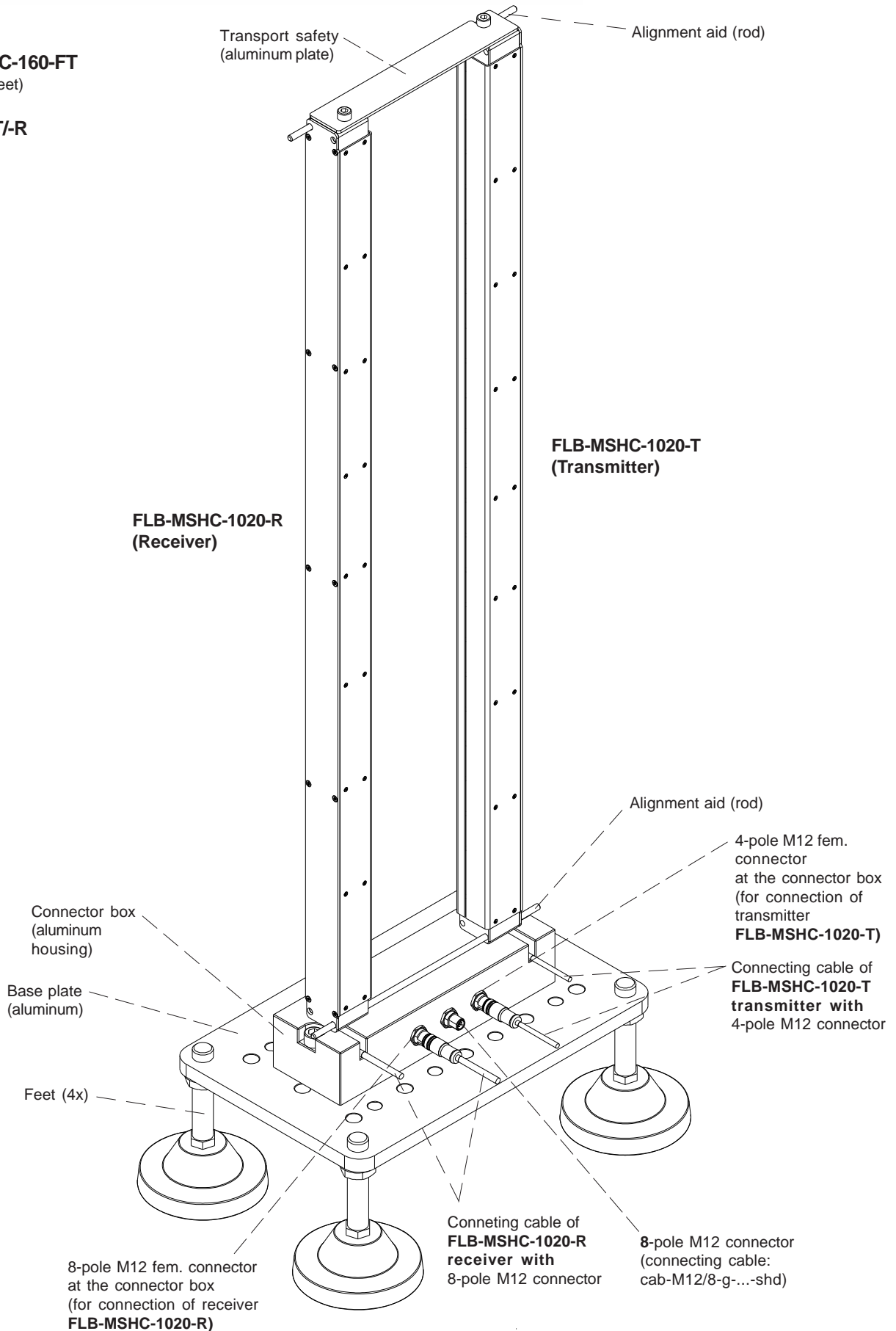
Mounting device
MOUNT-FLB-MSHC-160-FT
 (with base plate and feet)
with light barrier
FLB-MSHC-600-T/R





Details

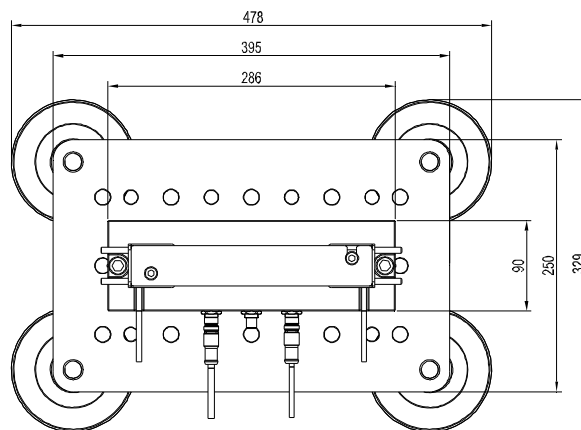
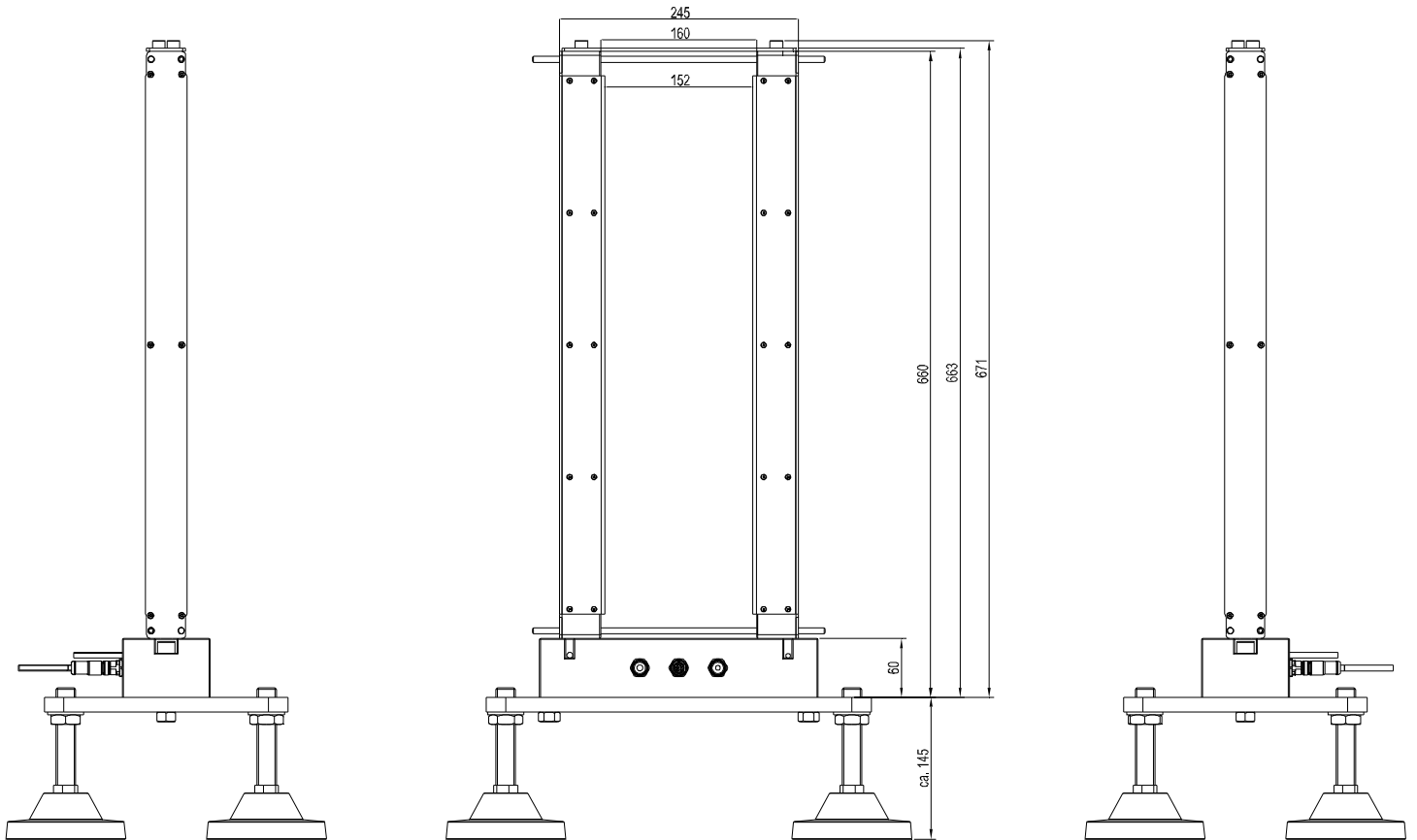
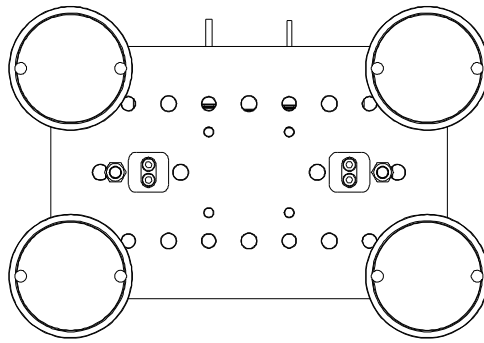
Mounting device
MOUNT-FLB-MSHC-160-FT
 (with base plate and feet)
with light barrier
FLB-MSHC-1020-T/R





Dimensions

Mounting device
MOUNT-FLB-MSHC-160-FT
 (with base plate and feet)
with light barrier
FLB-MSHC-600-T/R

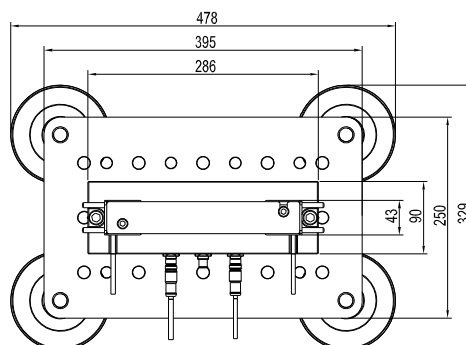
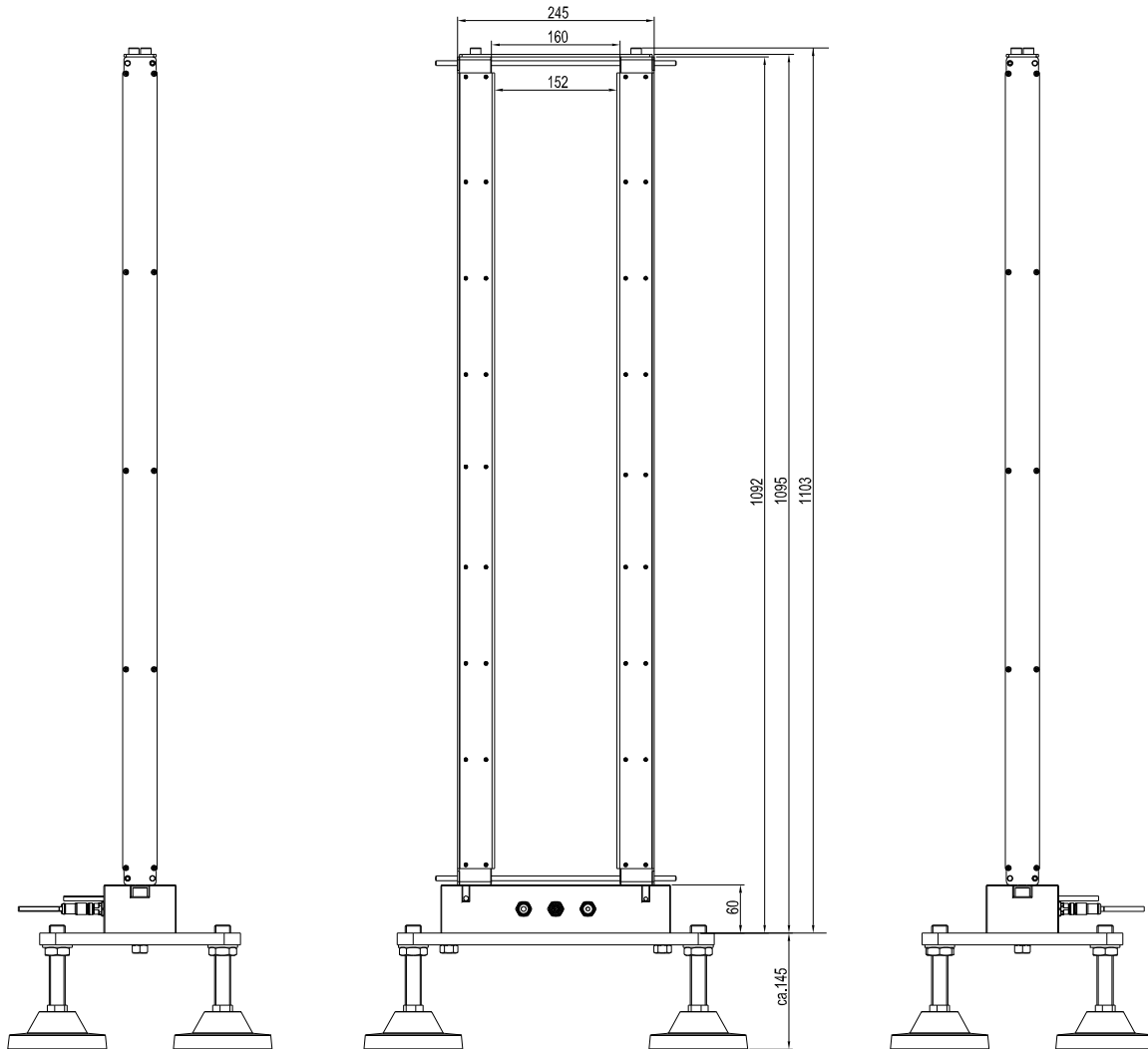
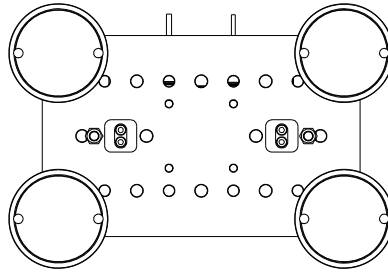


All dimensions in mm



Dimensions

Mounting device
MOUNT-FLB-MSHC-160-FT
 (with base plate and feet)
with light barrier
FLB-MSHC-1020-T/R



All dimensions in mm

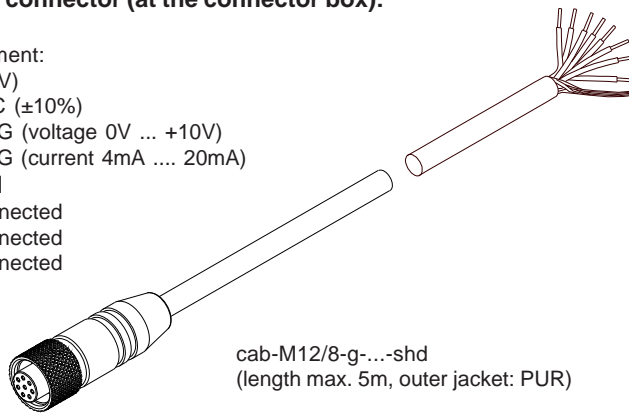
Connector Assignment

Connector assignment MOUNT-FLB-MSHC-160-FT

Assignment 8-pole M12 connector (at the connector box):

Pin:	(Color:)	Assignment:
1	(white)	GND (0V)
2	(brown)	+24VDC ($\pm 10\%$)
3	(green)	ANALOG (voltage 0V ... +10V)
4	(yellow)	ANALOG (current 4mA ... 20mA)
5	(grey)	ALARM
6	(pink)	not connected
7	(blue)	not connected
8	(red)	not connected

Connecting cable:
cab-M12/8-g-(length)-shd
(standard length 2m)



cab-M12/8-g-...-shd
(length max. 5m, outer jacket: PUR)



FLB-MSHC-1020-R/T
(please order separately)

FLB-MSHC-600-R/T
(please order separately)

Connector box

8-pole M12 connector
Connecting cable:
cab-M12/8-g-...-shd

