

# Accessories

## ▶ PS-24V-1,25A/30W-M12/8

### Power supply

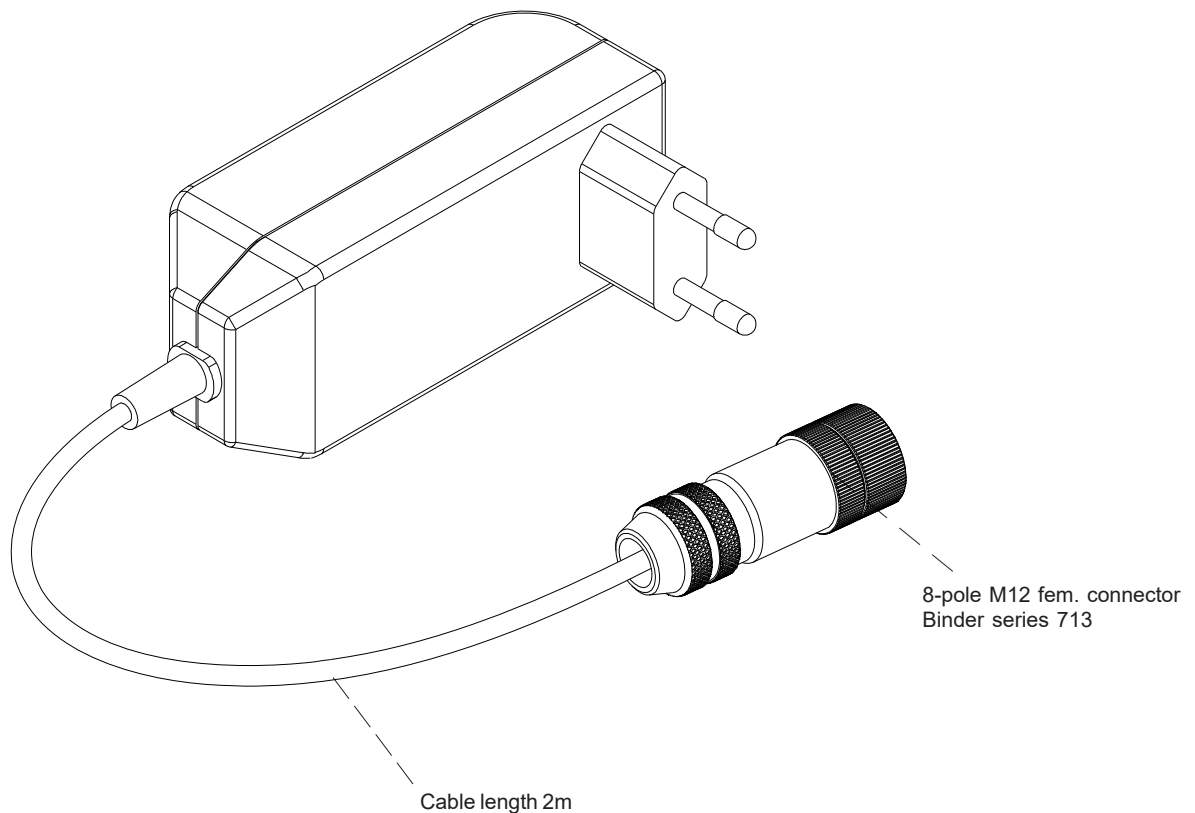
- Secondary 24VDC; current max. 1.25A; power 30W
- Power supply: 100...240Veff.; 50...60Hz; 550mA
- Secondary 8-pole M12 fem. connector Binder series 713
- Cable length 2m
- For use with e.g. SPECTRO-3-...-SLE or SPECTRO-3-SLA sensors



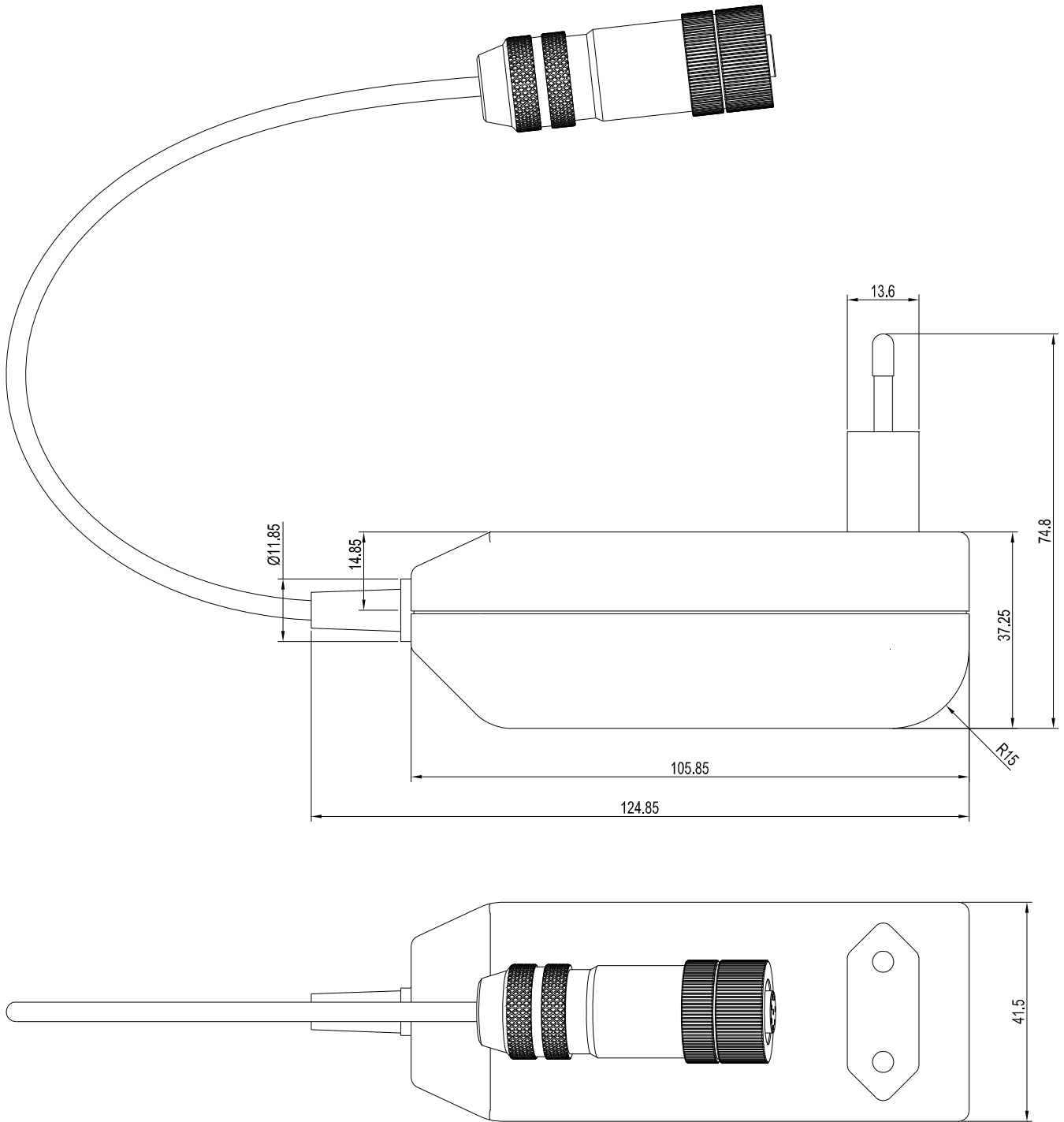
Design

### Product name:

PS-24V-1,25A/30W-M12/8



Dimensions



All dimensions in mm

**8-pole M12 fem. connector Binder series 713**

Pin: Assignment:

1	GND (0V)
2	+24VDC
3	not connected
4	not connected
5	not connected
6	not connected
7	not connected
8	not connected

