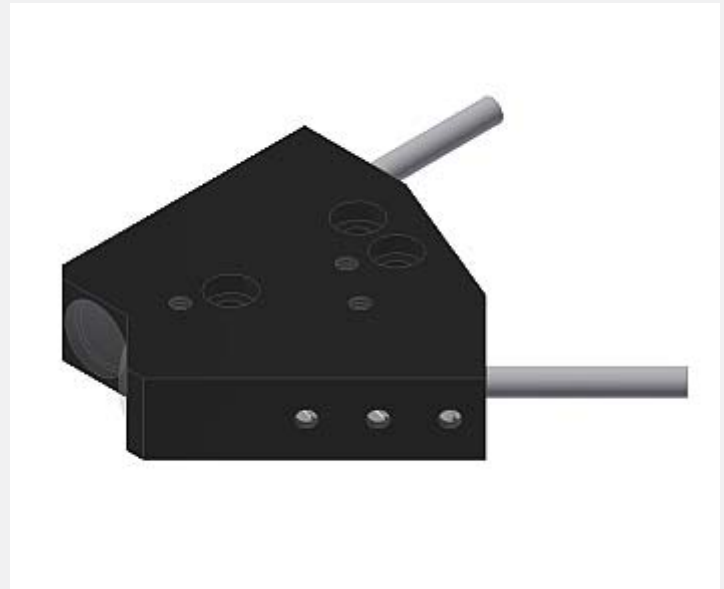


# FIO Series

## ▶ KL-D-0°/45°-13.5-A1.1

### Optical frontend

- Suitable for through-beam fiber optics of type D-S-A1.1-(1.5)-...-67° (fiber optics is available in various lengths)
- Working distance typ. 13.5 mm (vertical mounting only!)
- 45° angle of the two optics to each other
- Also suitable for detecting highly absorbent objects (e.g. black painted parts)
- Minimum color change with a change in the distance
- Can be focused
- Scratch-resistant optics made of glass
- Sturdy aluminum housing, anodized in black



Design

### Product name::

**KL-D-0°/45°-13.5-A1.1**

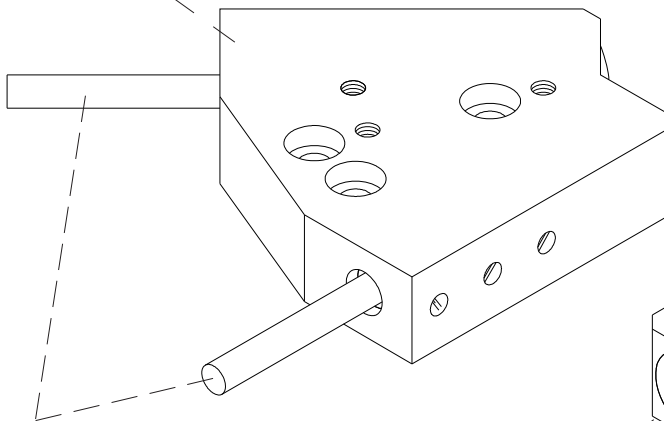
Suitable for fiber optics (please order separately):

**Through-beam fiber optics**

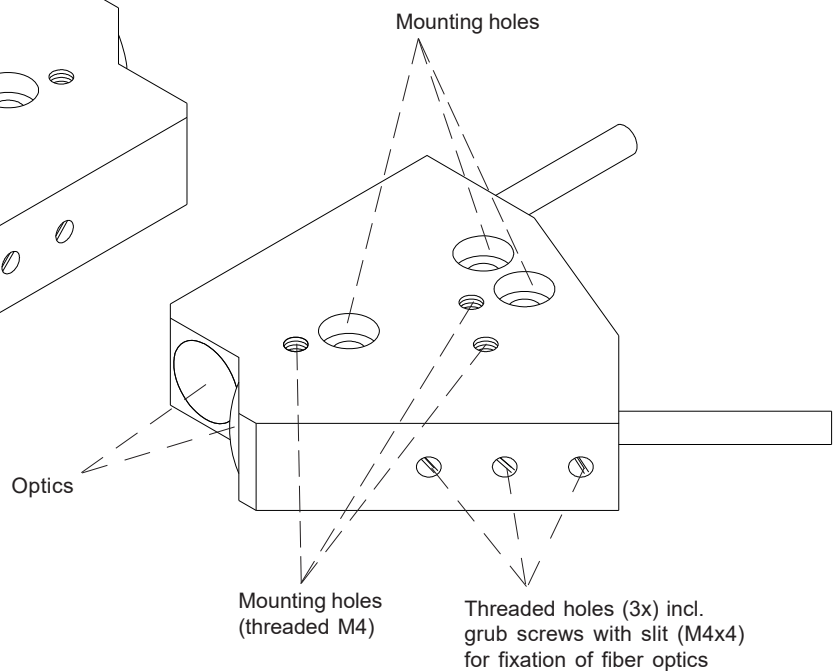
D-S-A1.1-(1.5)-(length)-67°

(standard lengths for fiber optics: 600 mm or 1200 mm)

Aluminum housing,  
anodized in black

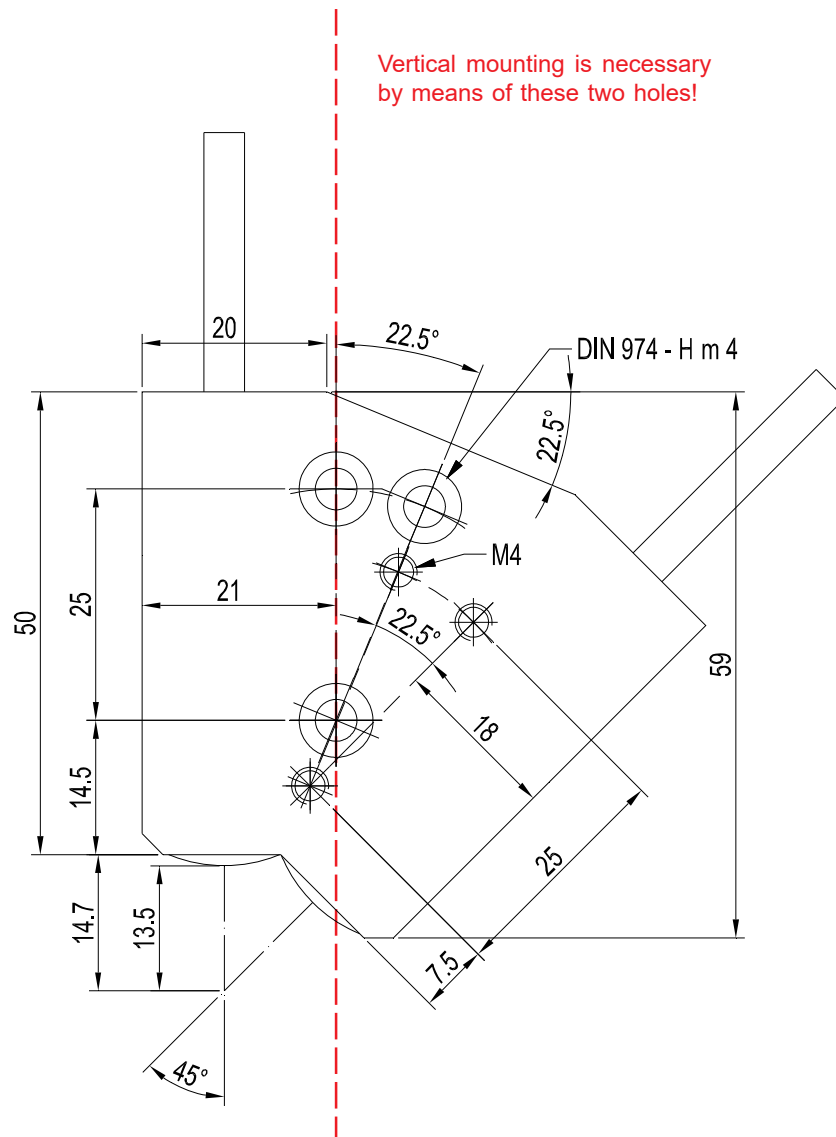
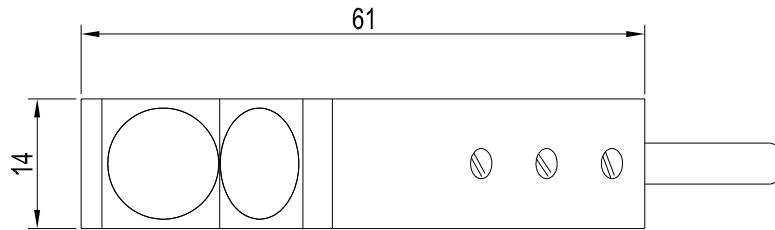


Through-beam fiber optics  
D-S-A1.1-(1.5)-...-67°



Dimensions

KL-D-0°/45°-13.5-A1.1



All dimensions in mm