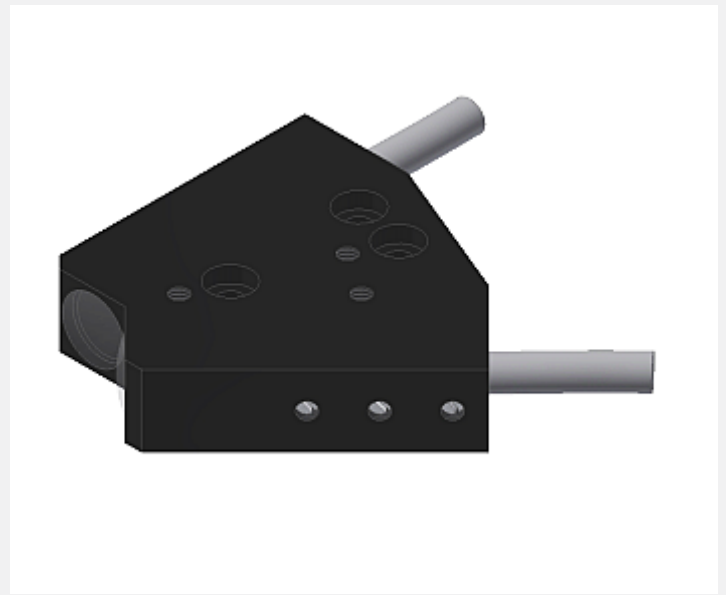


FIO Series

▶ KL-D-0°/45°-13.5-A2.0

Optical frontend

- Suitable for through-beam fiber optics of type D-S-A2.0-(2.5)-...-67° (fiber optics is available in various lengths)
- Working distance typ. 13.5 mm (vertical mounting only!)
- 45° angle of the two optics to each other
- Also suitable for detecting highly absorbent objects (e.g. black painted parts)
- Minimum color change with a change in the distance
- Can be focused
- Scratch-resistant optics made of glass
- Sturdy aluminum housing, anodized in black



Design

Product name:

KL-D-0°/45°-13.5-A2.0

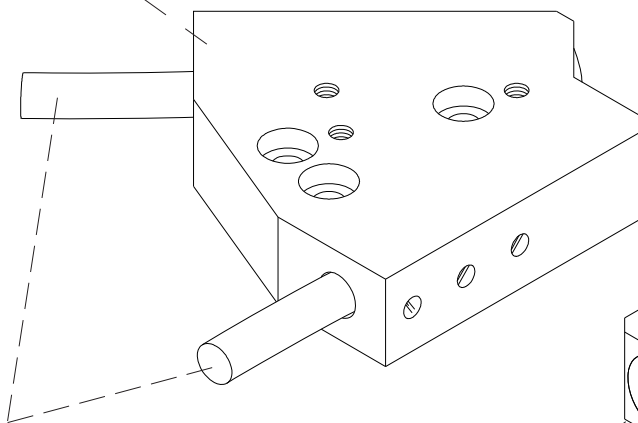
Suitable for fiber optics (please order separately):

Through-beam fiber optics

D-S-A2.0-(2.5)-(length)-67°

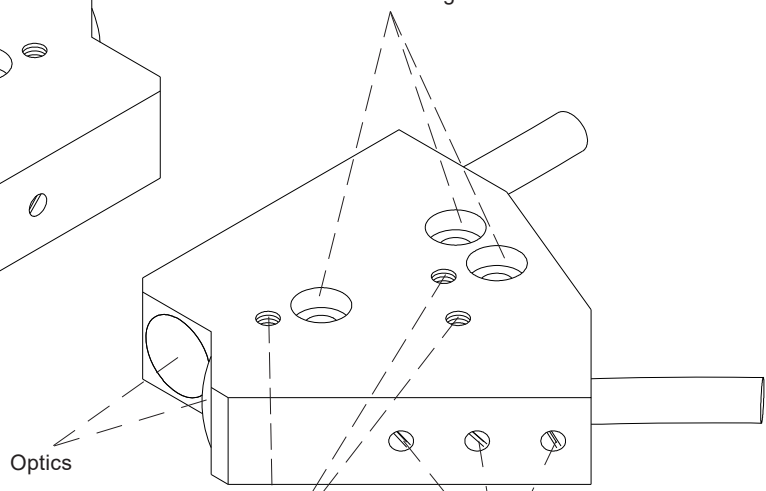
(standard lengths for fiber optics: 600 mm or 1200 mm)

Aluminum housing,
anodized in black



Through-beam fiber optics
D-S-A2.0-(2.5)-...-67°

Mounting holes



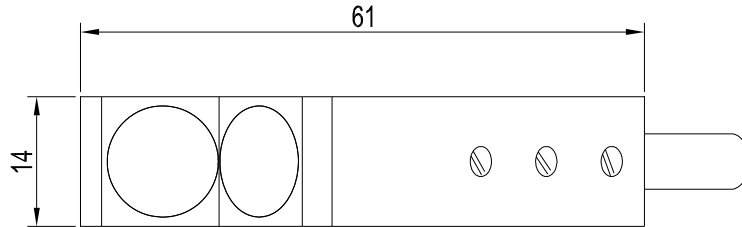
Optics

Mounting holes
(threaded M4)

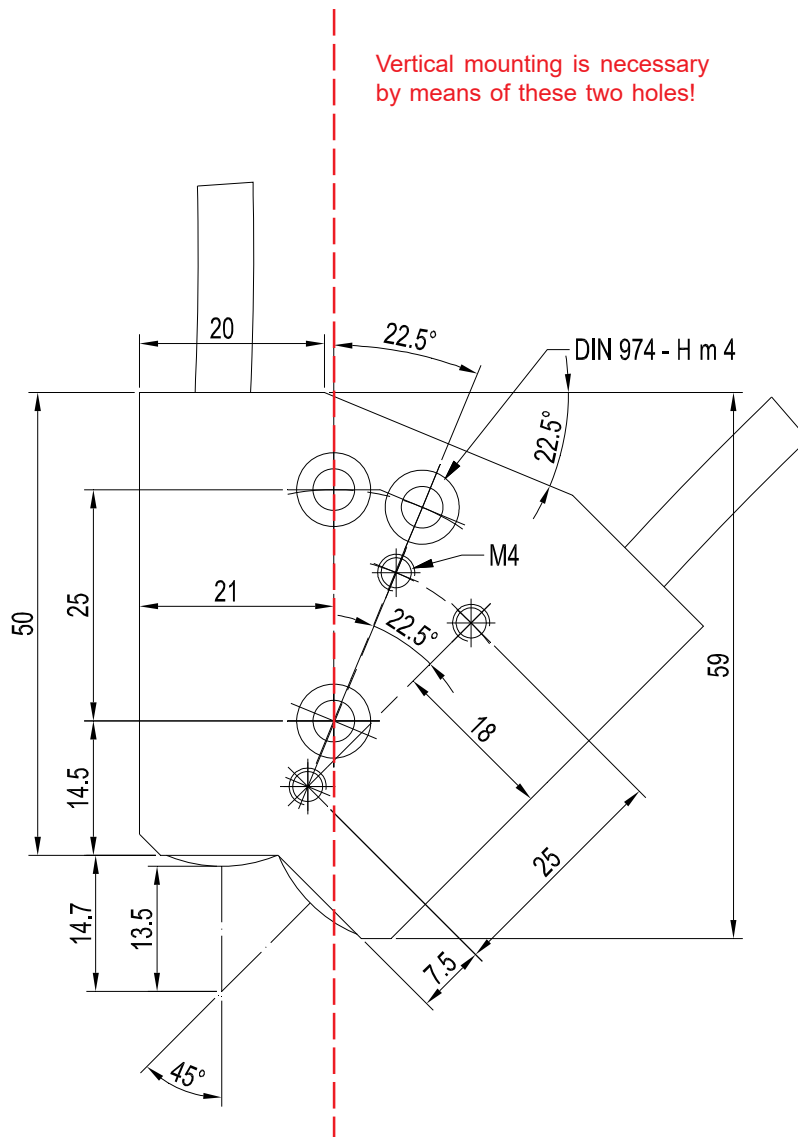
Threaded holes (3x) incl.
grub screws with slit (M4x4)
for fixation of fiber optics

Dimensions

KL-D-0°/45°-13.5-A2.0



Vertical mounting is necessary by means of these two holes!



All dimensions in mm