

# Accessories

## ▶ SPECTRO-3-30-d65-OFL

Top part for optics (spacer)  
suitable for use with color sensors of type  
SPECTRO-3-30-UV/BL-MSM-DIG

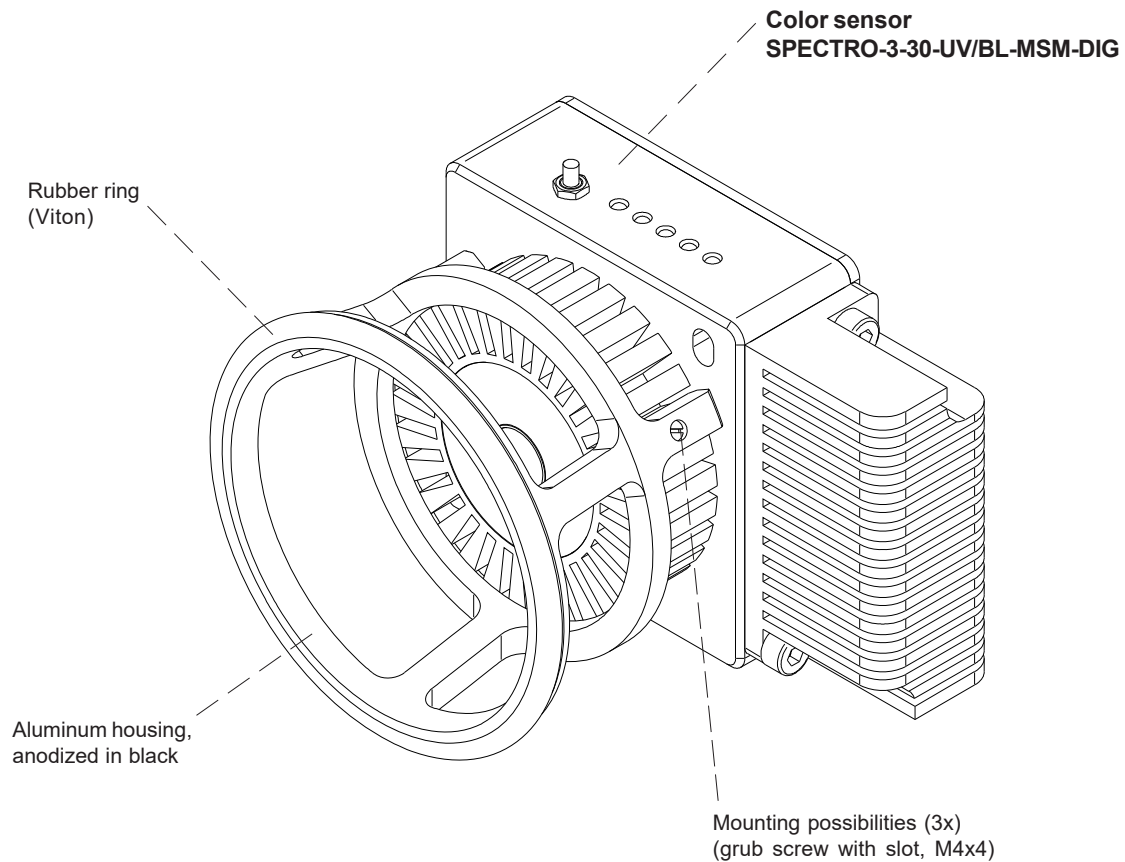
- Makes it possible to use the color sensor SPECTRO-3-30-UV/BL-MSM-DIG as a hand-held
- Reference distance 30 mm to measuring object by direct contact
- Sturdy material (aluminum, anodized in black)



Design

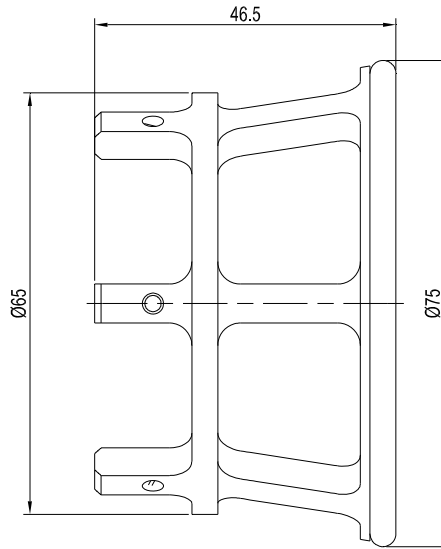
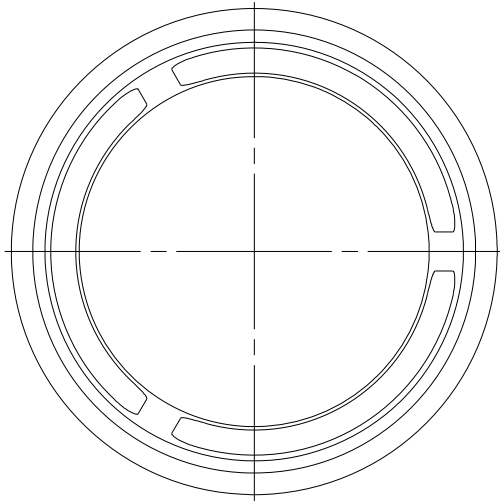
### Product name:

SPECTRO-3-30-d65-OFL (spacer / offline unit)

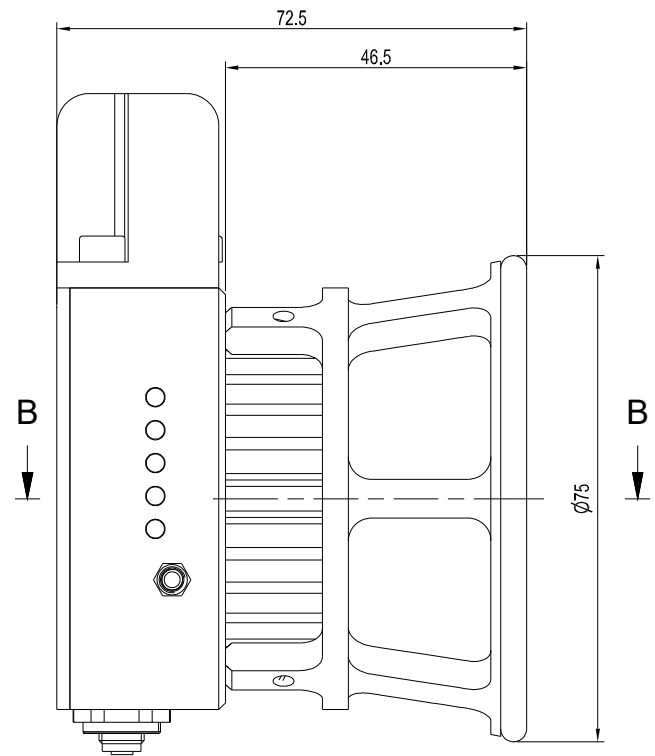
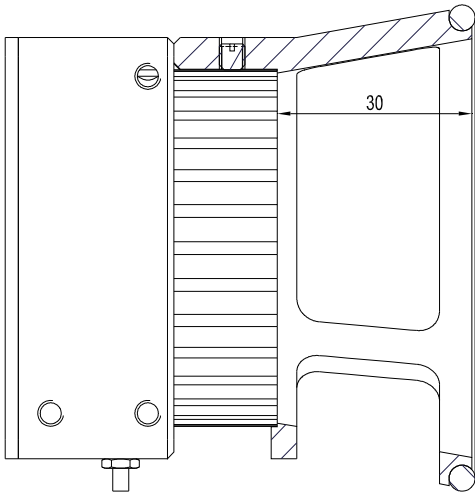




Dimensions



Schnitt B-B



All dimensions in mm