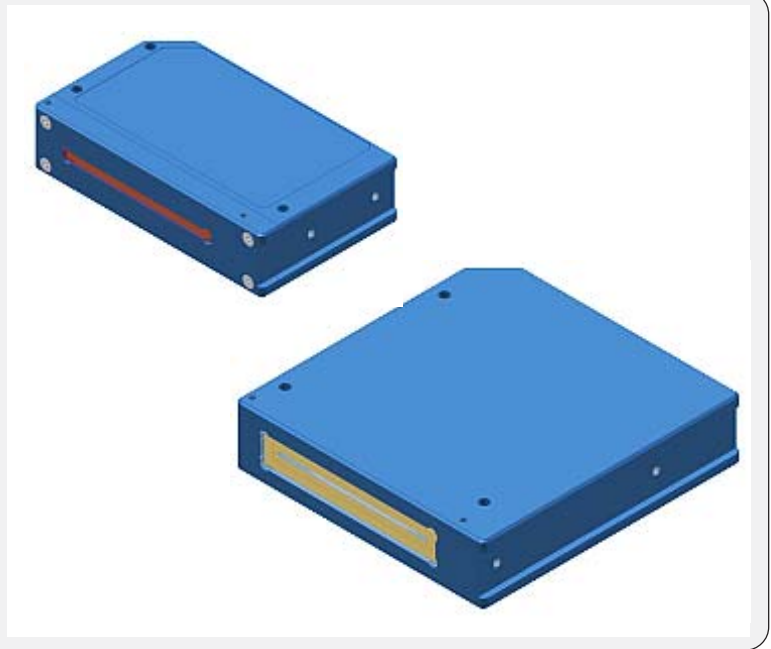


L-LAS Series

L-LAS-TB-75

- Line laser <0.4 mW, wave length 670 nm, laser class 1
- Visible laser line, light curtain 75 mm
- Measuring range typ. 72 mm
- Resolution typ. 8 µm
- Working distance up to 2000 mm
- Integrated interference filter
- CCD line detector with 1180 pixel, 9440 subpixel (8-fold)
- Ext. teach button and potentiometer for tolerance setting
- RS232 interface (USB or Ethernet adaptor is available)
- 2 digital inputs, 3 digital outputs
- 1 analog output (0 ...+10V or 4 ... 20mA)
- Switching state indication via 4 LEDs (1x grn, 2x red, 1x yel)



Design

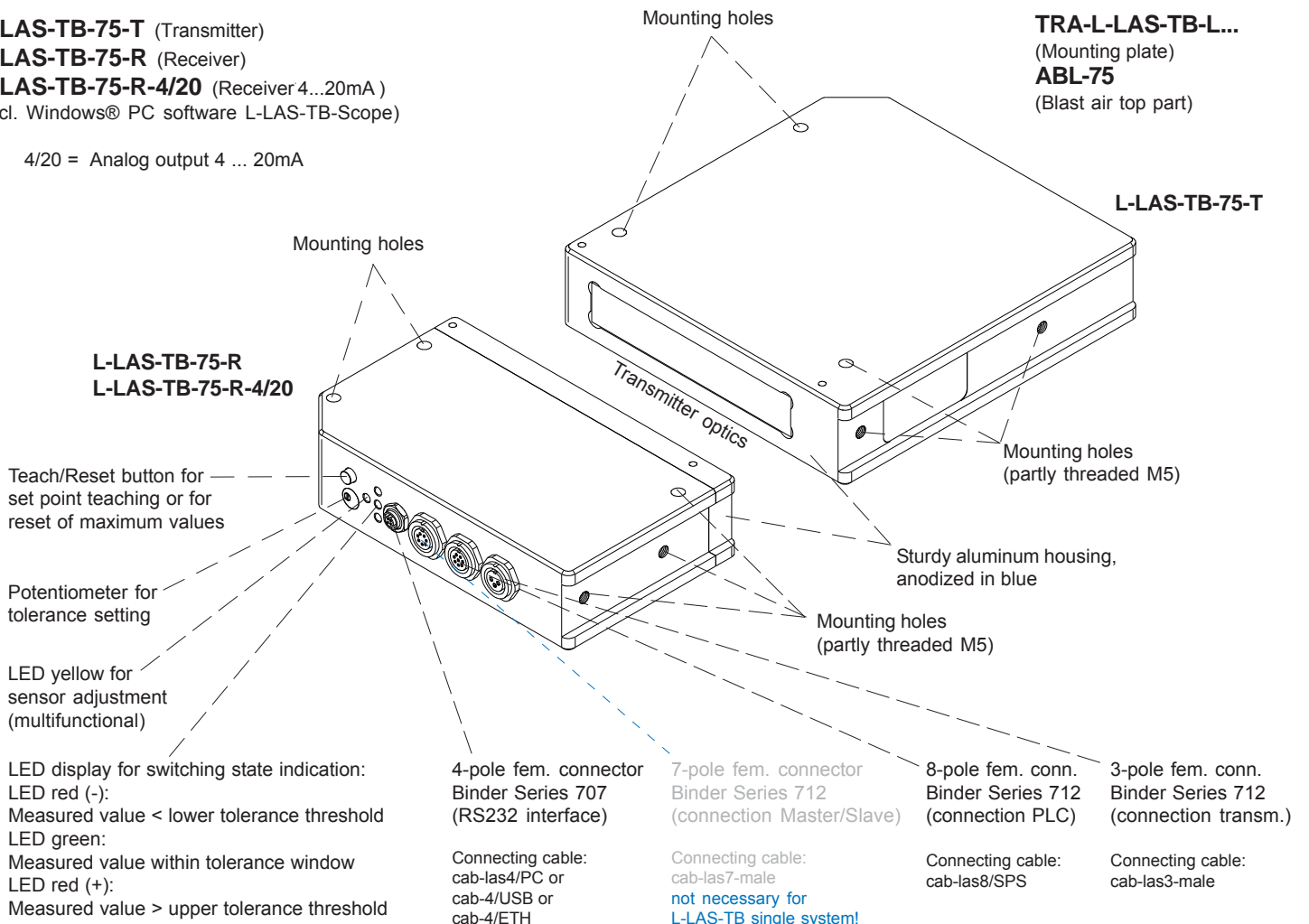
Product name:

- L-LAS-TB-75-T** (Transmitter)
- L-LAS-TB-75-R** (Receiver)
- L-LAS-TB-75-R-4/20** (Receiver 4...20mA)
(incl. Windows® PC software L-LAS-TB-Scope)

4/20 = Analog output 4 ... 20mA

Accessories: (cf. page 9)

- TRA-L-LAS-TB-L...**
(Mounting plate)
- ABL-75**
(Blast air top part)



Teach/Reset button for set point teaching or for reset of maximum values

Potentiometer for tolerance setting

LED yellow for sensor adjustment (multifunctional)

LED display for switching state indication:
LED red (-): Measured value < lower tolerance threshold
LED green: Measured value within tolerance window
LED red (+): Measured value > upper tolerance threshold

4-pole fem. connector Binder Series 707 (RS232 interface)

Connecting cable: cab-las4/PC or cab-4/USB or cab-4/ETH

7-pole fem. connector Binder Series 712 (connection Master/Slave)

Connecting cable: cab-las7-male not necessary for L-LAS-TB single system!

8-pole fem. conn. Binder Series 712 (connection PLC)

Connecting cable: cab-las8/SPS

3-pole fem. conn. Binder Series 712 (connection transm.)

Connecting cable: cab-las3-male





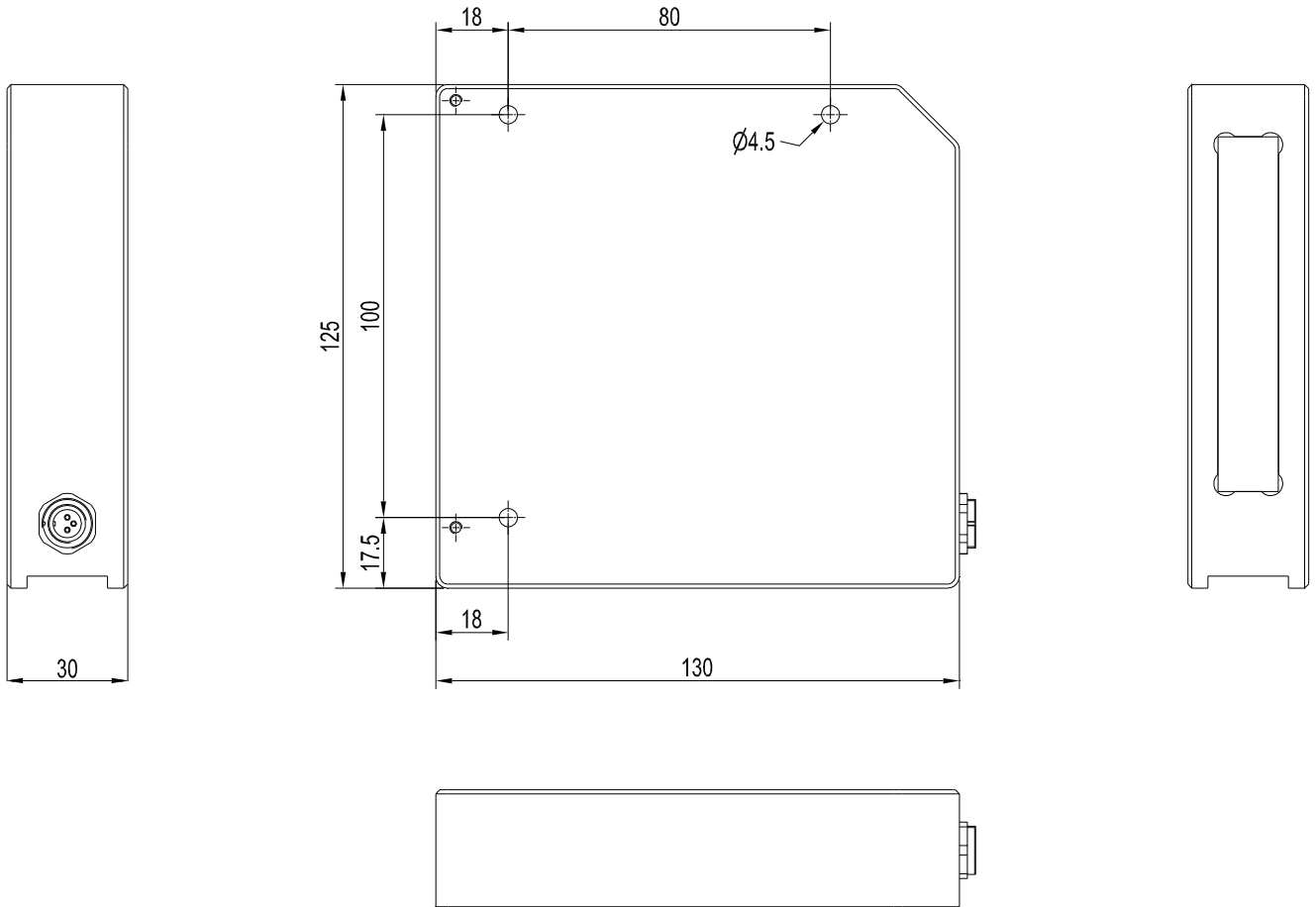
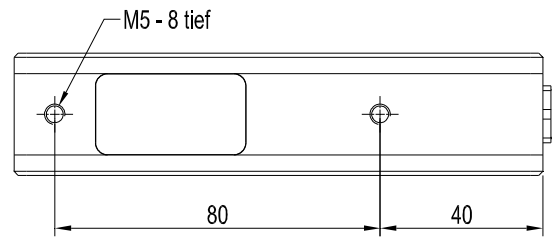
Technical Data

Model	L-LAS-TB-75-T L-LAS-TB-75-R	L-LAS-TB-75-T L-LAS-TB-75-R-4/20
Laser	Semiconductor laser, 670 nm, DC operation, 5 mW max. opt. power, class 1 laser product acc. to DIN EN 60825-1. The use of these laser sensors therefore requires no additional protective measures.	
Working distance	up to 2000 mm	
Measuring range	typ. 72 mm	
Resolution	typ. 8 µm	
Reproducibility	typ. ± 8 µm	
Linearity	typ. 0.15% of FSR (full scale range)	
Optical filter	Interference filter RG645	
Analog output	Voltage output 0 ... +10V	Current output 4 ... 20mA
Digital output (OUT0, OUT1, OUT2)	pnp bright-switching (pnp n.c.)/npn dark-switching (npn n.o.) or pnp dark-switching (pnp n.o.)/npn bright-switching (npn n.c.), adjustable under Windows®, 100 mA, short-circuit-proof	
Digital inputs (IN0, IN1)	IN0: External trigger, IN1: Teach/Reset (double function), input voltage +Ub/0V, with protective circuit	
Voltage supply	+24VDC (± 10%)	
Sensitivity setting	under Windows® via PC	
Laser power correction	Dynamic/static mode adjustable under Windows® via PC	
Current consumption	typ. 200 mA	
Enclosure rating	Electronics: IP54, optics: IP67	
Operating temperature range	-10°C ... +50°C	
Storage temperature range	-20°C ... +85°C	
Housing material	Aluminum, anodized in blue	
Housing dimensions	Transmitter: LxWxH approx. 130 mm x 125 mm x 30 mm (without connectors) Receiver: LxWxH approx. 75 mm x 125 mm x 30 mm (without connectors)	
Type of connectors of receiver	8-pole female connector type Binder Series 712 (PLC/Power) 4-pole M5 female connector Typ Binder Series 707 (PC/RS232) 3-pole female connector Binder Series 712 (connection to the transmitter) 7-pole female connector type Binder Series 712 (only necessary for master/slave system)	
Type of connector of transmitter	3-pole female connector Binder Series 712 (connection to the receiver)	
Teach button	Teach button at the housing for set point value teaching	
LED indication	LED red (+) : Measured value > upper tolerance threshold LED green : Measured value lies within tolerance window LED red (-) : Measured value < lower tolerance threshold LED yellow: Multifunctional LED (voltage indication, visualization teach process)	
EMC test acc. to	DIN EN 60947-5-2	
Scan frequency	max. 400 Hz	
Max. switching current	100 mA, short-circuit-proof	
Interface	RS232, parameterisable under Windows®	
Connecting cables	Connection to PC: cab-las4/PC or cab-4/USB or cab-4/ETH Connection to PLC: cab-las8/SPS or cab-las8/SPS-w Connection of transmitter and receiver: cab-las3-male	
Output polarity	Bright-/dark-switching, adjustable under Windows®	



Dimensions

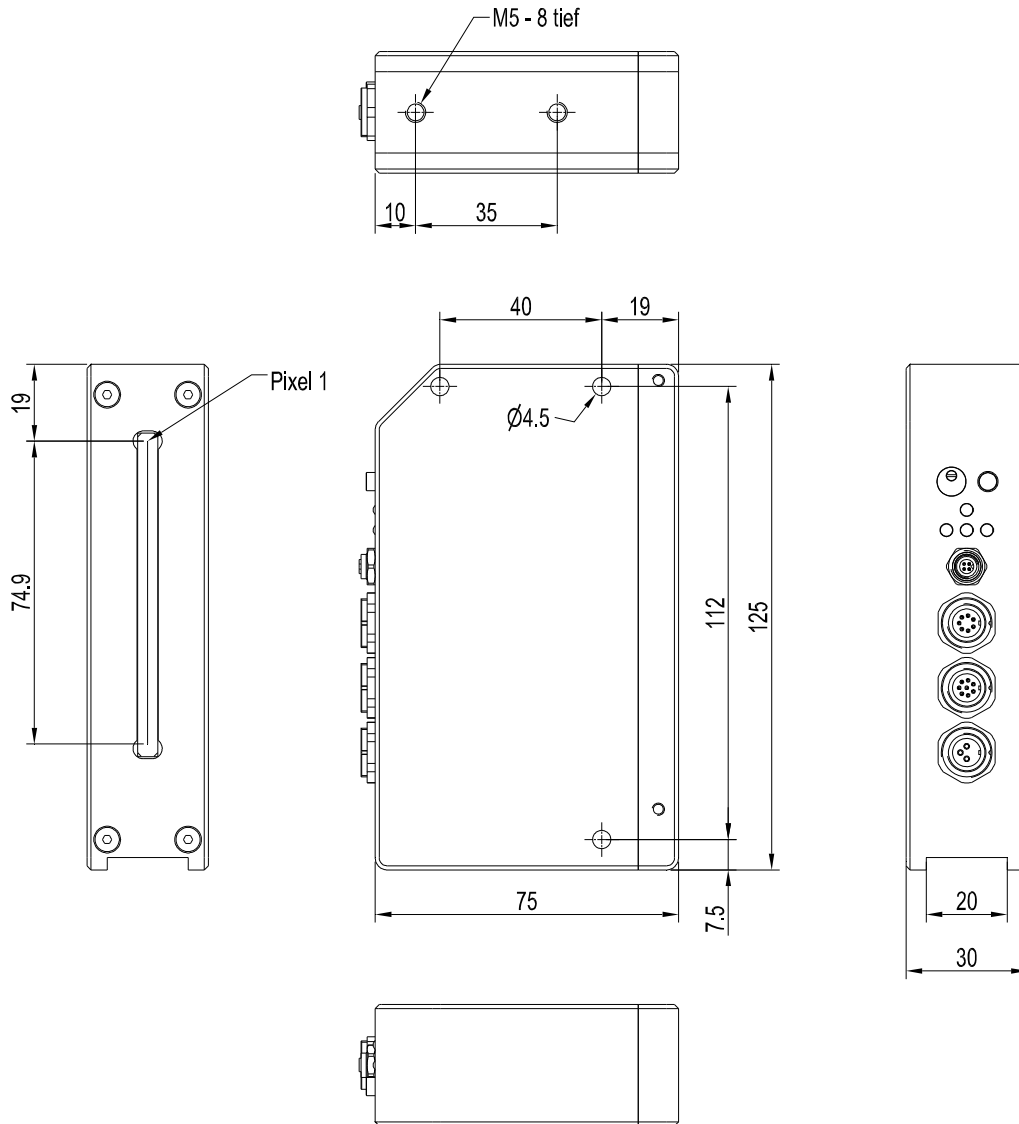
L-LAS-TB-75-T
(Transmitter)



All dimensions in mm

Dimensions

L-LAS-TB-75-R
 L-LAS-TB-75-R-4/20
 (Receiver)



All dimensions in mm



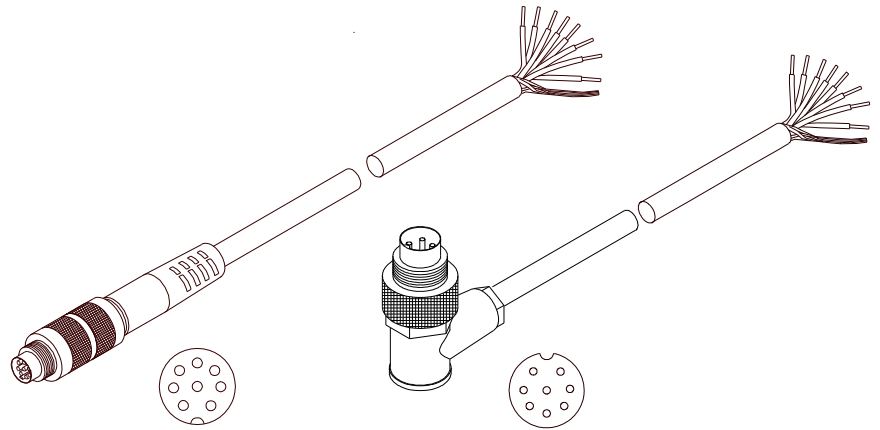
Connector Assignment

Connection to PLC:

8-pole fem. connector Binder Series 712

Pin: Color: Assignment:

1	white	GND (0V)
2	brown	+24VDC (± 10%)
3	green	IN0 (EXT TRIGGER)
4	yellow	IN1 (TEACH / RESET)
5	grey	OUT0 (-)
6	pink	OUT1 (+)
7	blue	OUT2 (OK)
8	red	ANA (0 ... +10V)
in case of version -4/20:		
ANA (4 ... 20mA)		



cab-las8/SPS-...
(max. length 25m, outer jacket: PUR)

cab-las8/SPS-w-...
(max. length 25m, outer jacket: PUR)

Connecting cable:

cab-las8/SPS-(length) or
cab-las8/SPS-w-(length) (angle type 90°)
(standard length 2m)

Connection to PC:

4-pole fem. connector Binder Series 707

Pin:	Assignment:
1	+24VDC (+Ub, OUT)
2	GND (0V)
3	RxD
4	TxD

Connection via RS232 interface at the PC:

Connecting cable:
cab-las4/PC-(length)
cab-las4/PC-w-(length) (angle type 90°)
(standard length 2m)

alternative:

Connection via USB interface at the PC:

Connecting cable (incl. driver software):
cab-4/USB-(length)
cab-4/USB-w-(length) (angle type 90°)
(standard length 2m)

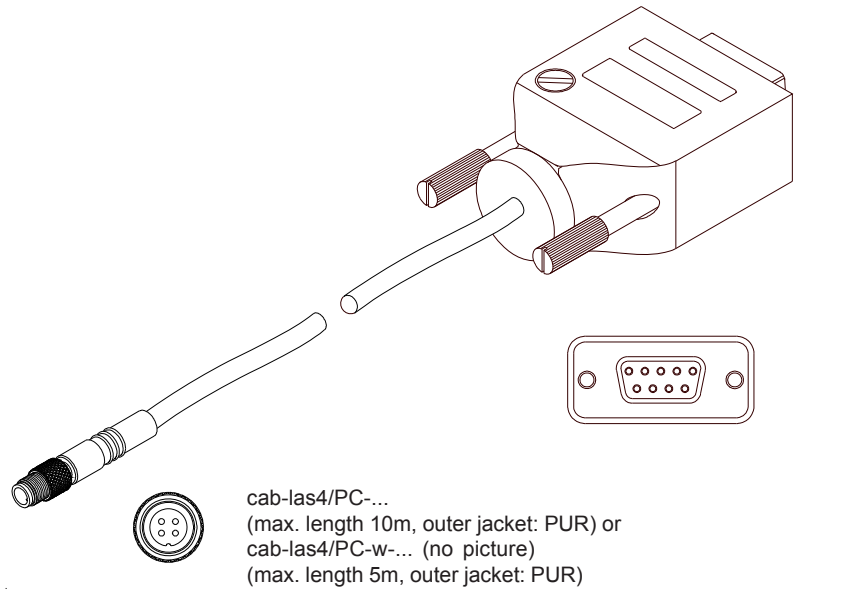
alternative:

Connection to local network via Ethernet bus:

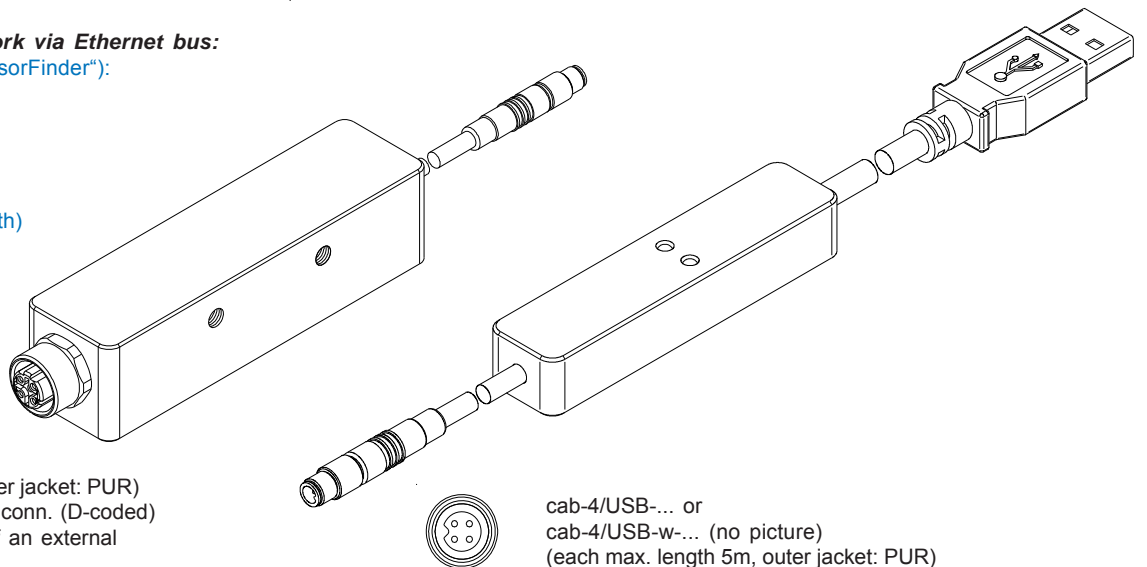
Adapter (incl. software „SensorFinder“):
cab-4/ETH-500
(standard length 0.5m)

Optional:

External CAT5 cable, e.g.
cab-eth/M12D-RJ45-flx-(length)



cab-las4/PC-...
(max. length 10m, outer jacket: PUR) or
cab-las4/PC-w-... (no picture)
(max. length 5m, outer jacket: PUR)



cab-4/ETH-500
(length 0.5m, outer jacket: PUR)
4-pole M12 fem. conn. (D-coded)
for connection of an external
CAT5 cable, e.g.
cab-eth/M12D-RJ45-flx-(length)

cab-4/USB-... or
cab-4/USB-w-... (no picture)
(each max. length 5m, outer jacket: PUR)



Connector Assignment

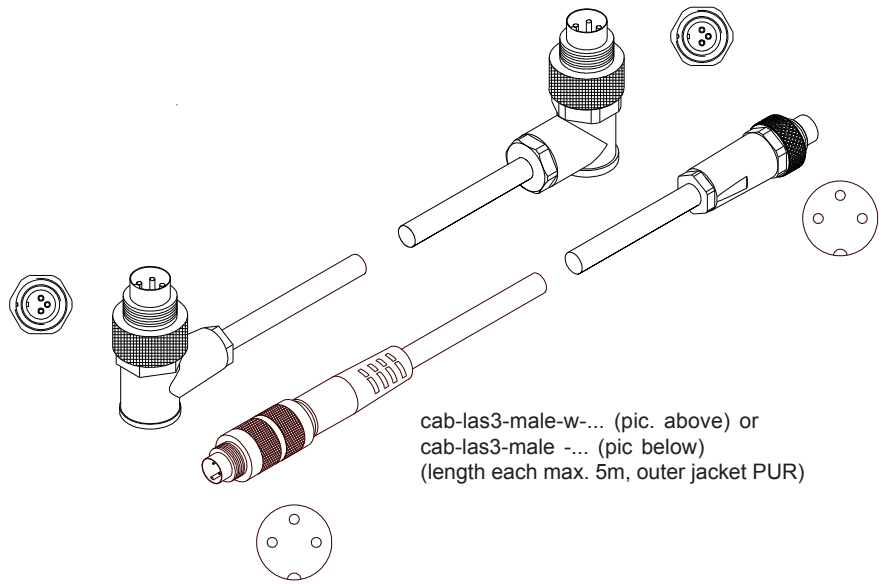
**Connection L-LAS-TB-...-T to
L-LAS-TB-...-R (or L-LAS-TB-...-R-4/20)
3-pol. fem. connector Binder series 712**

Pin: Assignment:

- 1 +5VDC
- 2 0V (GND)
- 3 I-CONTROL (0V ... +5V)

Connecting cable:

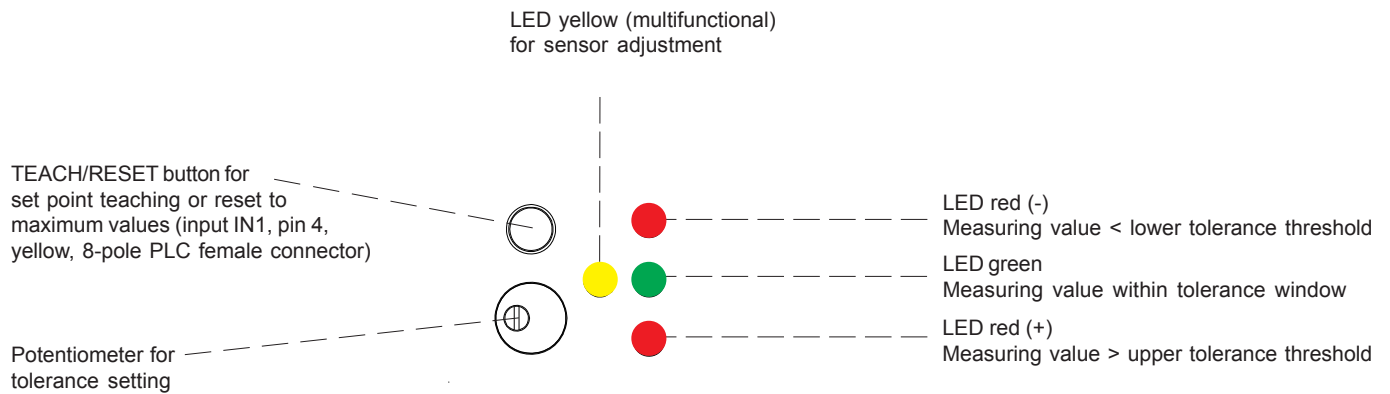
- cab-las3-male-(length)
- cab-las3-male-w-(length) (angle type 90°)
- (standard length 2m)



cab-las3-male-w-... (pic. above) or
cab-las3-male -... (pic below)
(length each max. 5m, outer jacket PUR)



LED Display



Laser Information

The laser line sensors of L-LAS-TB series comply with laser class 1 according to EN 60825-1. Under reasonably foreseeable conditions a class 1 laser is safe. The reasonably foreseeable conditions are kept during specified normal operation. The use of these laser transmitters therefore requires no additional protective measures.

The laser line sensors of L-LAS-TB series are supplied with an information label „CLASS 1 LASER PRODUCT“.

CLASS 1 LASER PRODUCT

DIN EN 60825-1: 2008-05



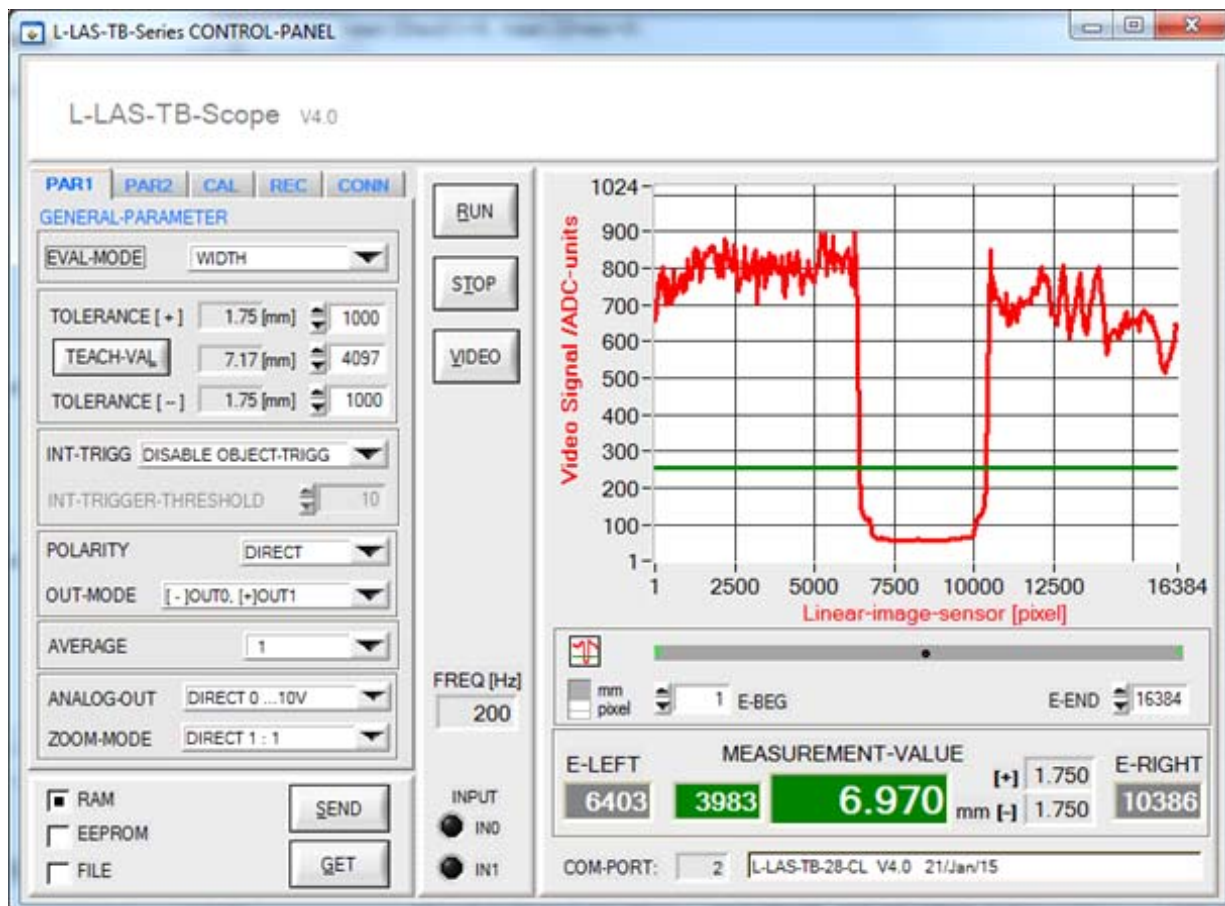
Parameterization

Windows® software L-LAS-TB-Scope:

The L-LAS-TB sensor can be easily parameterised with the Windows® user interface.

For this purpose the sensor is connected to the PC with the serial interface cable cab-las4/PC (or with the USB interface cable cab-4/USB or the Ethernet adapter cable cab-4/ETH). When parameterisation is finished, the PC can be disconnected again.

Windows® user interface:



With the help of the L-LAS-TB-Scope software the following settings can be made at the sensor:

- Setting of laser power and type of automatic power correction
- Polarity of digital outputs
- Different evaluation modes
- Start of the teach process by software button
- Setting of tolerance ranges for monitoring the measured value

Furthermore, various numerical and graphical measured quantities can be visualized with the L-LAS-TB-Scope software. For example, the raw data of the CCD line sensor can be displayed graphically and numerically.

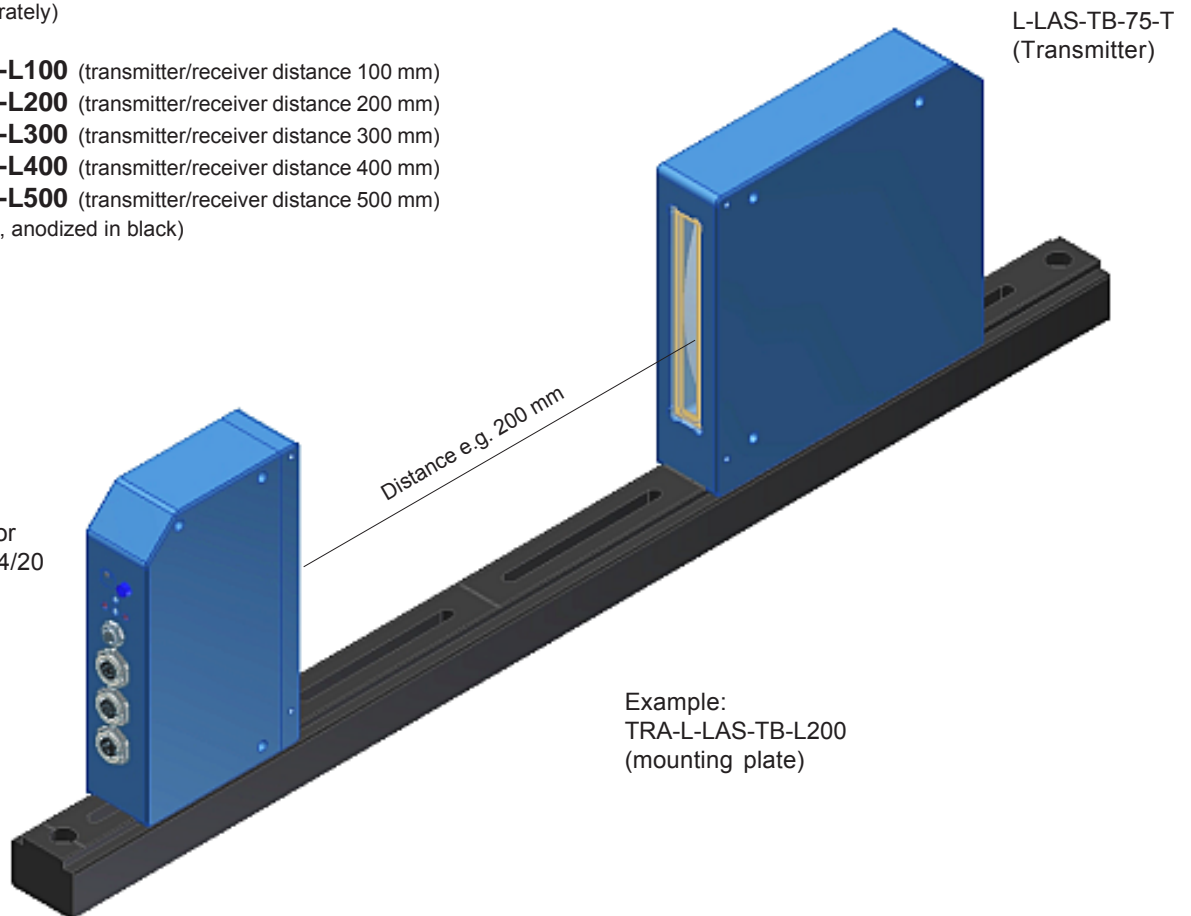

Accessories
Mounting plate

for L-LAS-TB-75-T and L-LAS-TB-75-R (L-LAS-TB-75-R-4/20):

(please order separately)

TRA-L-LAS-TB-L100 (transmitter/receiver distance 100 mm)**TRA-L-LAS-TB-L200** (transmitter/receiver distance 200 mm)**TRA-L-LAS-TB-L300** (transmitter/receiver distance 300 mm)**TRA-L-LAS-TB-L400** (transmitter/receiver distance 400 mm)**TRA-L-LAS-TB-L500** (transmitter/receiver distance 500 mm)

(Aluminium housing, anodized in black)

L-LAS-TB-75-R or
L-LAS-TB-75-R-4/20
(Receiver)Example:
TRA-L-LAS-TB-L200
(mounting plate)**Blast air top part**

for L-LAS-TB-75-T and L-LAS-TB-75-R (L-LAS-TB-75-R-4/20):

(please order separately for transmitter and receiver each)

ABL-75

(Plastic housing, black)

