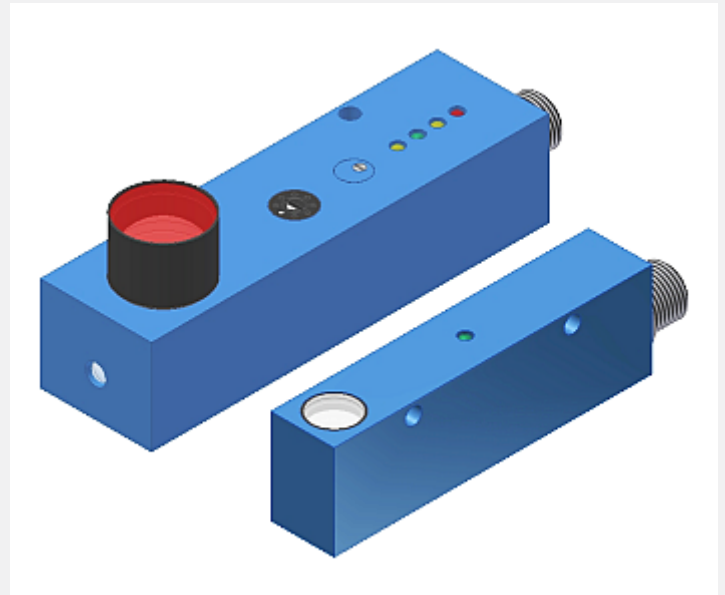


# D-LAS Serie

## ► D-LAS-ED1-R D-LAS-ED1-(9.5)-T

(Glass Pane Detection)

- Collimated laser beam (<math><0.4\text{ mW}</math>, 670 nm), **laser class 1**
- Large receiver range (laser spot 9.5 mm x 4 mm)
- Large transmitter/receiver distance (max. 12 m)
- Highly sensitive (starting from 0.5 mm strength of glass)
- Insensitive to outside light due to interference filter and absorption filter as well as pulsating light operation (100kHz)
- Adjustment of sensitivity via 5-step switch
- Adjustment of gain via 3-revolutions potentiometer
- Receiving signal level indication via 3 LED (yel/grn/yel)
- Dirt accumulation indication via red LED
- Switching state indication via super bright yellow LED
- Analog output (0V ... +10V)



### Design

#### Product name:

#### Transmitter (selectively):

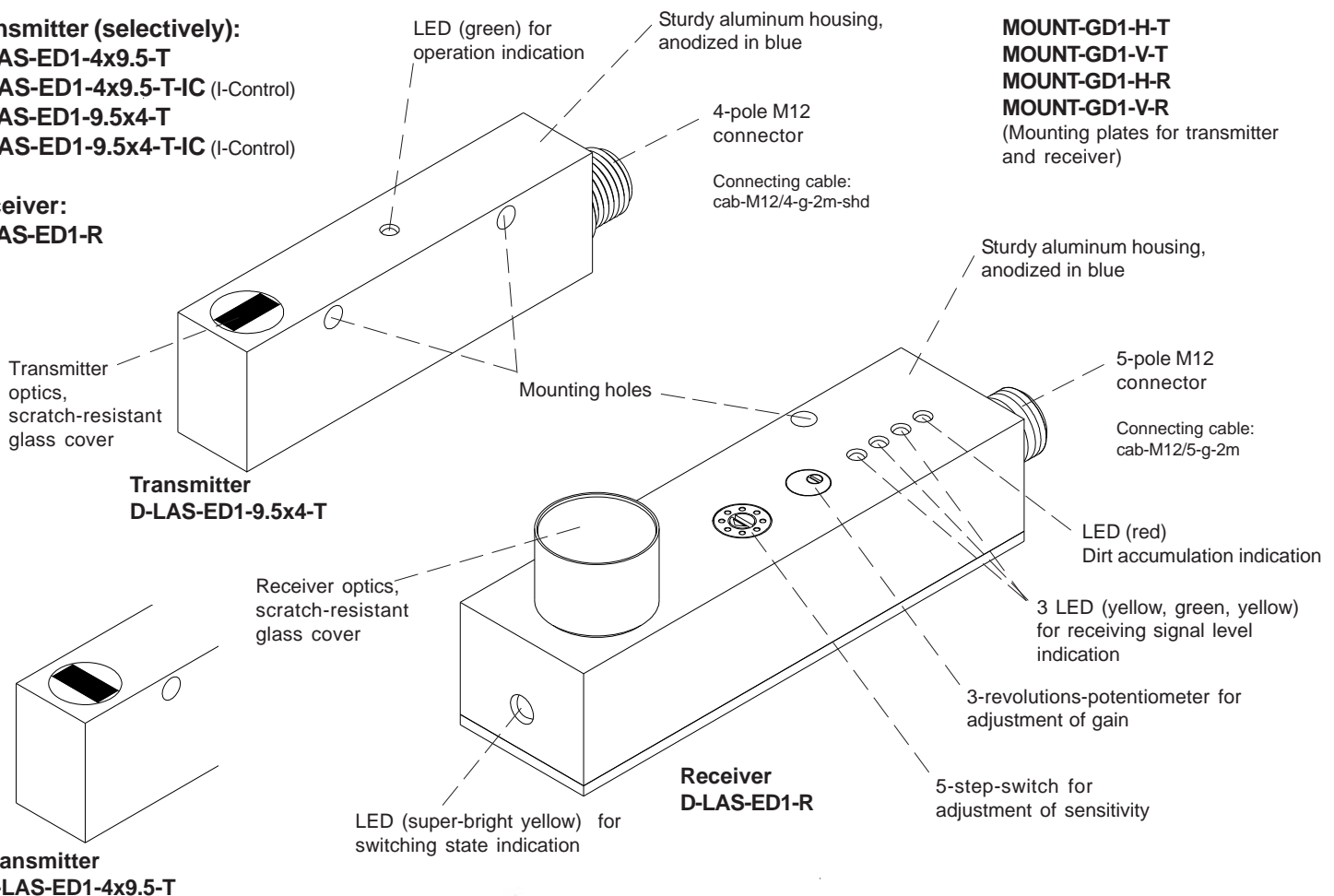
**D-LAS-ED1-4x9.5-T**  
**D-LAS-ED1-4x9.5-T-IC** (I-Control)  
**D-LAS-ED1-9.5x4-T**  
**D-LAS-ED1-9.5x4-T-IC** (I-Control)

#### Receiver:

**D-LAS-ED1-R**

#### Accessories: (cf. page 7)

**MOUNT-GD1-H-T**  
**MOUNT-GD1-V-T**  
**MOUNT-GD1-H-R**  
**MOUNT-GD1-V-R**  
 (Mounting plates for transmitter and receiver)





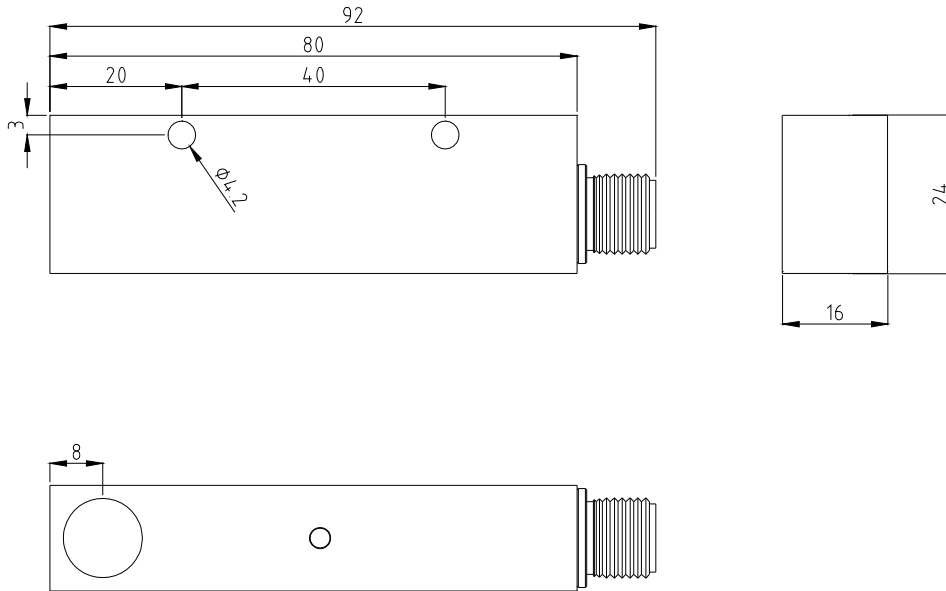
**Technical Data**

Type	D-LAS-ED1-9.5x4-T (transmitter) or D-LAS-ED1-4x9.5-T (transmitter) D-LAS-ED1-R (receiver)	D-LAS-ED1-9.5x4-T-IC (transmitter) or D-LAS-ED1-4x9.5-T-IC (transmitter) D-LAS-ED1-R (receiver)
Laser	Solid state laser, 670 nm, AC operation, 0.4 mW max. opt. power, laser class 1 acc. to DIN EN 60825-1. The use of these laser transmitters therefore requires no additional protective measures.	
Max. range	typ. 12 m	
Min. detectable strength of glass	0.5 mm	
Beam dimensions at sensor outlet	typ. 9.5 mm x 4 mm	
Optical filter	Interference filter + absorption filter (IR filter)	
Beam divergency	typ. 1 mrad	
Voltage supply	+24VDC (± 10%), protected against polarity reversal, overload protected	
Alternating current/ direct current supply	AC operation (100 kHz)	
Ambient light	up to 5000 Lux	
Adjustment of sensitivity (switching threshold)	adjustable via integrated 5-step switch (step 1: 93%, step 2: 90%, step 3: 87%, step 4: 83%, step 5: 80%)	
Adjustment of gain (analog signal)	adjustable via integrated 3-revolutions potentiometer	
Current consumption	Transmitter: typ. 60 mA Receiver: typ. 30 mA	
Switching frequency	typ. 1 kHz	
Input (transmitter)	---	Pin 2 (white): I-CONTROL
Switching outputs (receiver)	Pin 2 (white): Analog output (0 ... +10V) Pin 4 (black): Output Q <sub>inv</sub> (npn bright-switching, pnp dark-switching) Pin 5 (grey): Output Q (npn dark-switching, pnp bright-switching)	
Enclosure rating	IP67	
Operating temperature range	-20°C up to +50°C	
Storage temperature range	-20°C up to +85°C	
Housing material	Aluminum, anodized in blue	
Housing dimensions	Transmitter: approx. 80 mm x 24 mm x 16 mm (without connector) Receiver: approx. 100 mm x 28 mm x 39 mm (without connector)	
Connector type	Transmitter: 4-pole M12 connector (stainless steel) Receiver: 5-pole M12 connector (stainless steel)	
Max. switching current	100 mA, short-circuit proof	
EMC test acc. to	DIN EN 60947-5-2	
Switching state indication	By means of a super-bright yellow LED (at receiver housing)	
Receiving signal level display	By means of 3 LED: yellow/green/yellow (at receiver housing)	
Dirt accumulation indication	By means of a red LED (at receiver housing)	
Operating indication	By means of a green LED (at transmitter housing)	

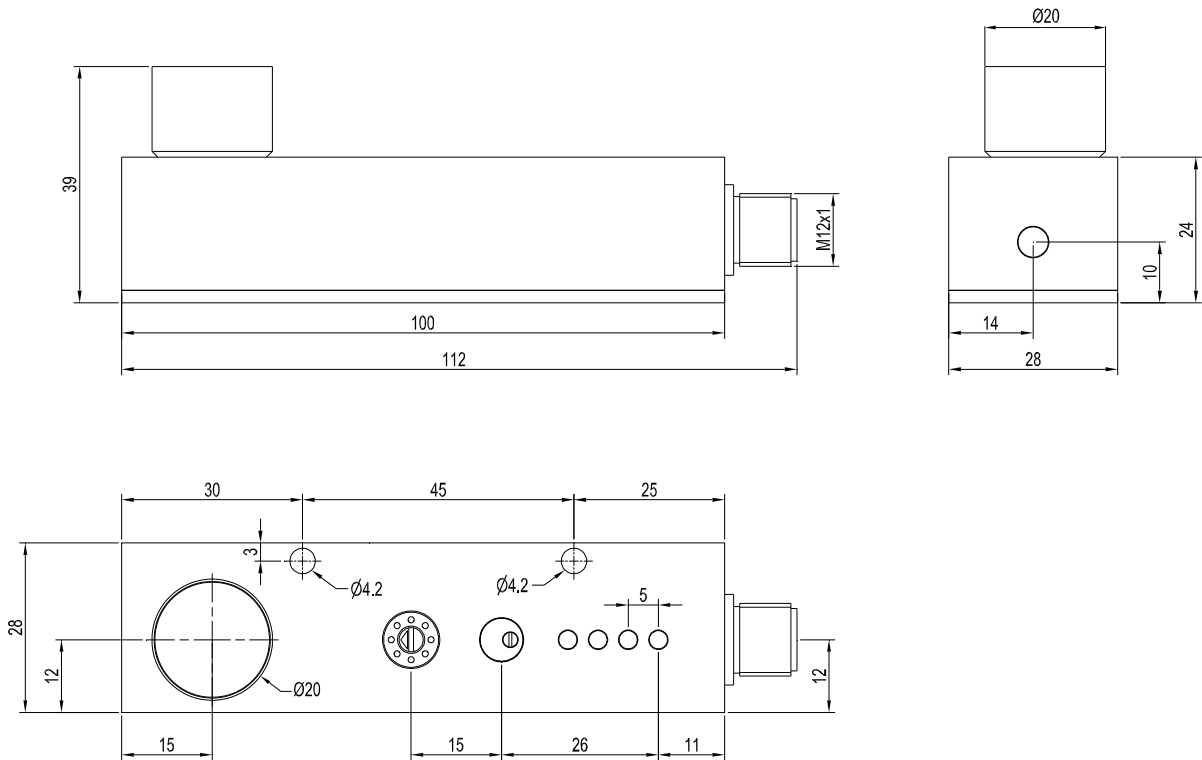


Dimensions

D-LAS-ED1-...-T  
D-LAS-ED1-...-T-IC  
(transmitter):



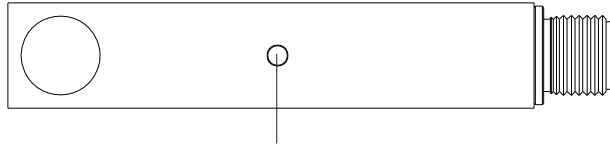
D-LAS-ED1-R  
(receiver):



(All dimensions in mm)

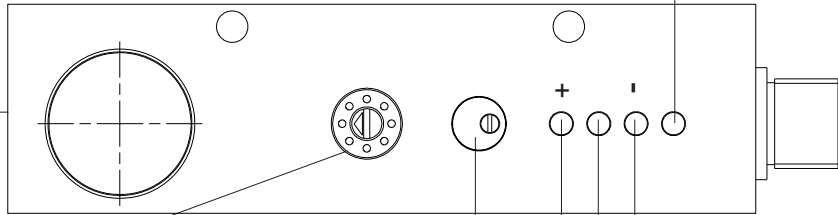
Setting

D-LAS-ED1-...-T  
D-LAS-ED1-...-T-IC  
(transmitter):



Green LED for operating display

D-LAS-ED1-R  
(receiver):

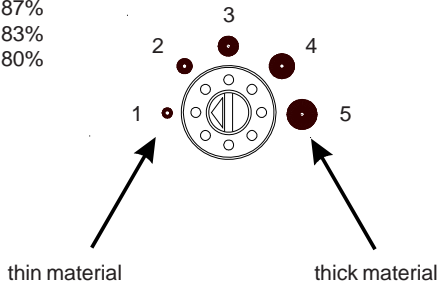


Super bright yellow LED for switching state display

Dirt accumulation indication:  
red LED on: sensor dirty

5-step switch for adjustment of sensitivity  
(switching threshold):

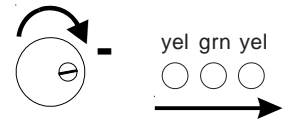
- Step 1: 93% (threshold at 93% of receiving signal)
- Step 2: 90%
- Step 3: 87%
- Step 4: 83%
- Step 5: 80%



Receiving signal level indication:  
yellow LED on: receiving signal too low  
green LED on: receiving signal correct  
yellow LED on: receiving signal too high (overloaded)

3-revolutions potentiometer for adjustment of gain:

Rotation clockwise:  
Receiving level decreases  
(decrease of amplification)



Adjustment of the laser light barrier:

After mounting of transmitter and receiver units, the laser beam can be aligned to the receiver optics by means of the mounting flanges (on-period conditions!).

Then, the gain factor of the receiver can be set by means of the potentiometer, the optimal gain is indicated via the green LED.

Laser Information

The laser transmitters of D-LAS series comply with laser class 1 according to EN 60825-1. Under reasonably foreseeable conditions a class 1 laser is safe. The reasonably foreseeable conditions are kept during specified normal operation. The use of these laser transmitters therefore requires no additional protective measures.

The laser transmitters of D-LAS series are supplied with an information label „CLASS 1 Laser Product“.

**CLASS 1 Laser Product**  
IEC 60825-1: 2008-05  
THIS LASER PRODUCT COMPLIES  
WITH 21 CFR 1040 AS APPLICABLE



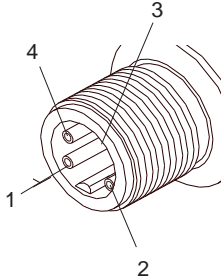


## Connector Assignment

### Transmitter D-LAS-ED1-4x9.5-T D-LAS-ED1-9.5x4-T

#### 4-pole connector M12

Pin No.:	(Color)	Assignment:
1	(brn)	+24VDC ( $\pm 10\%$ )
2	(wht)	not connected
3	(blu)	GND (0V)
4	(blk)	not connected
Shield		Housing



#### Connecting cable for transmitter:

**cab-M12/4-g-2m-shd**

(PUR-cable, shielded, length 2 m,  
4-pole M12 female connector)

### Transmitter (with I-Control): D-LAS-ED1-4x9.5-T-IC (I-Control) D-LAS-ED1-9.5x4-T-IC (I-Control)

#### 4-pole connector M12

Pin No.:	(Color)	Assignment:
1	(brn)	+24VDC ( $\pm 10\%$ )
2	(wht)	I-Control
3	(blu)	GND (0V)
4	(blk)	not connected
Shield		Housing

### Receiver D-LAS-ED1-R

#### 5-pole connector M12

Pin No.:	(Color)	Assignment:
1	(brn)	+24VDC ( $\pm 10\%$ )
2	(wht)	ANALOG (0V ... +10V)
3	(blu)	GND (0V)
4	(blk)	Output INV „Qinv“
5	(gry)	Output „Q“

#### Connecting cable for receiver:

**cab-M12/5-g-2m**

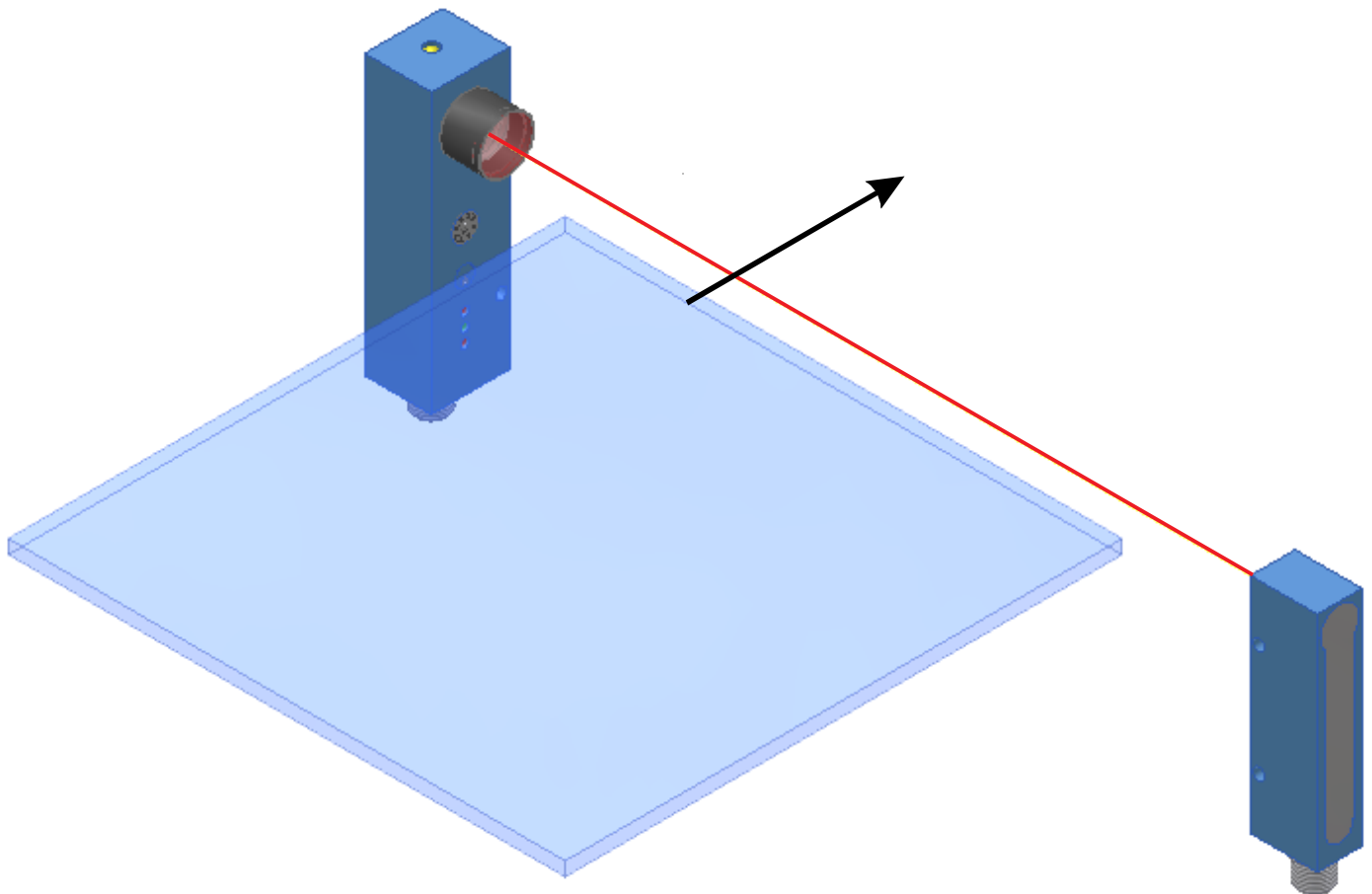
(PUR-cable, length 2 m,  
5-pole M12 female connector)

**Application Example**

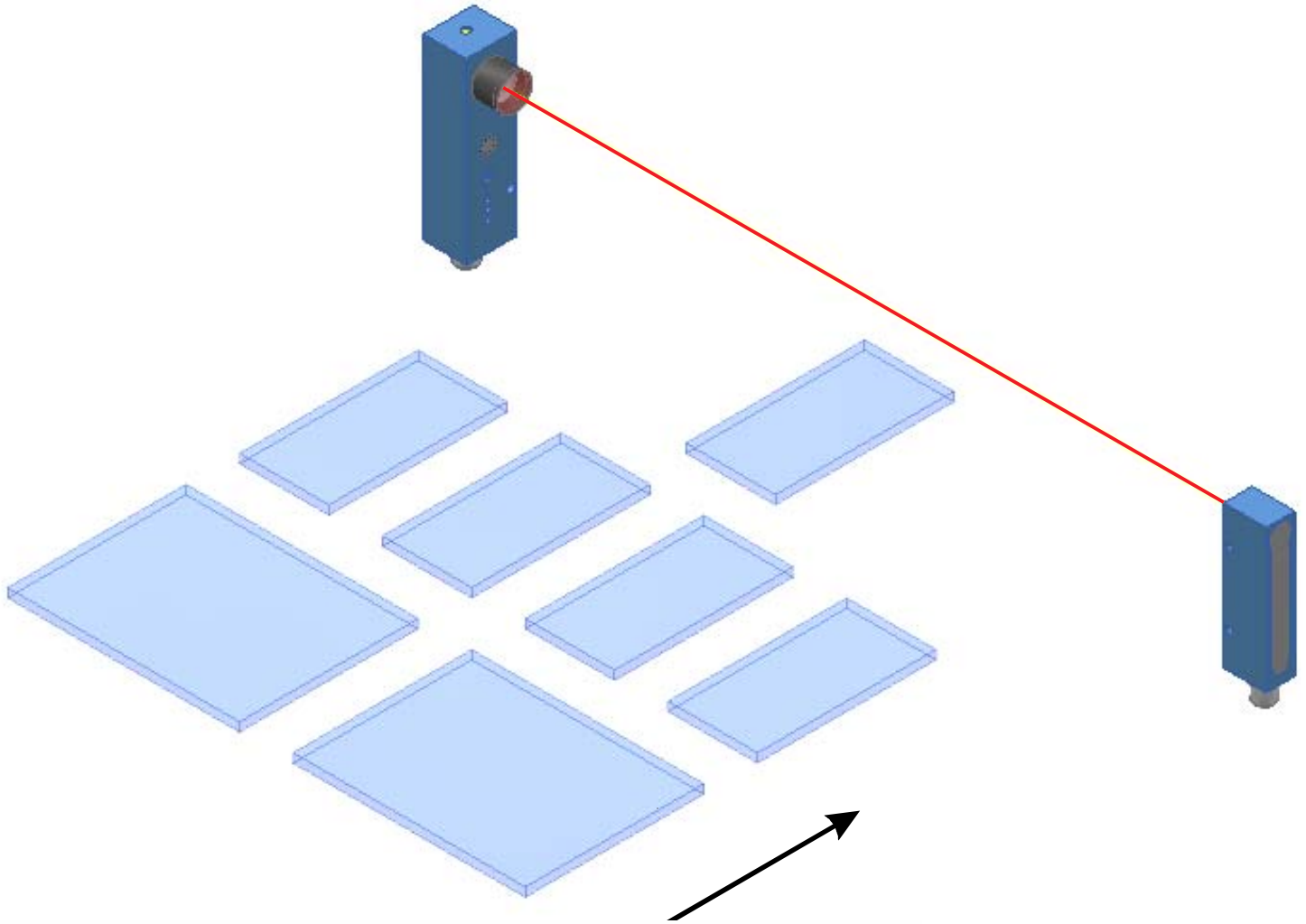
When flat glass (float glass) is transported, the start and end of a glass pane have to be reliably detected before a change of the direction of transport. It must be ensured in this process that no spurious trigger pulses are initiated while the laser light beam is interrupted by the glass pane. The conveyer belt may have a width of up to 12 m, and it is possible that several glass panes are transported in parallel. It may also be that only one glass pane is transported within these 12 m. In this case it is important that the position of the glass pane is reliably detected, irrespective of its position. Detection also must take into consideration that float glass of a thickness of 0.5 mm may be transported.

For safe detection of the glass pane a correspondingly large detection range (9.5 m x 4 mm) must be available on the one hand, and on the other hand it must be possible to set a correspondingly high sensitivity.

Sensitivity setting is done in 5 steps by means of a step switch. A potentiometer is used to set the proper gain (3 LEDs as setting aid: 2x yellow, 1x green). The output provides two digital signals (glass detection and dirtying). An additional LED (super bright yellow) provides information about the switching state (glass detection) of the laser light barrier.



Application Example

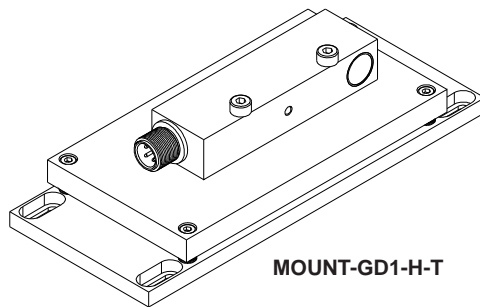


Mounting

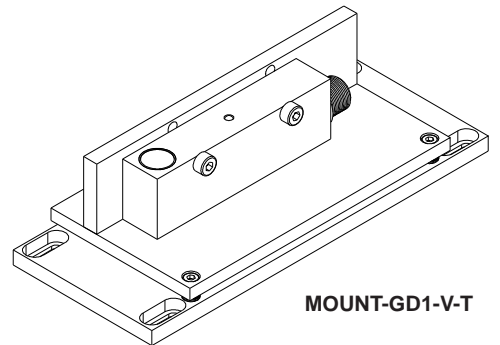
**Mounting accessories:**  
(please order separately)

**Mounting plates for  
D-LAS-ED1-...-T, D-LAS-ED1-...-T-IC:**

**MOUNT-GD1-H-T** (for horizontal mounting)  
**MOUNT-GD1-V-T** (für vertical mounting)



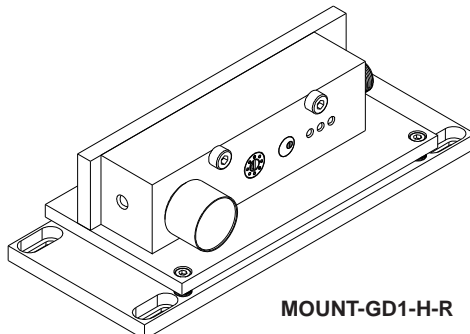
MOUNT-GD1-H-T



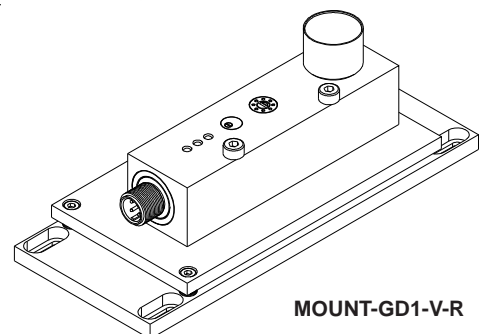
MOUNT-GD1-V-T

**Mounting plates for  
D-LAS-ED1-R:**

**MOUNT-GD1-H-R** (for horizontal mounting)  
**MOUNT-GD1-V-R** (für vertical mounting)



MOUNT-GD1-H-R



MOUNT-GD1-V-R