

M-LAS Series

► M-CON3 Electronic control unit

- For control of M-LAS sensors
- Digital output static and dynamic
- Threshold adjustment can be activated via PC
- Analog output (0V ... 10V)
- Analog output (0 mA ... 20 mA or 4 mA ... 20 mA)
- Ultrahigh accuracy triggering in μm -range
- Dirt accumulation indication
- Dirt accumulation compensation
- Switching state indication dynamic/static

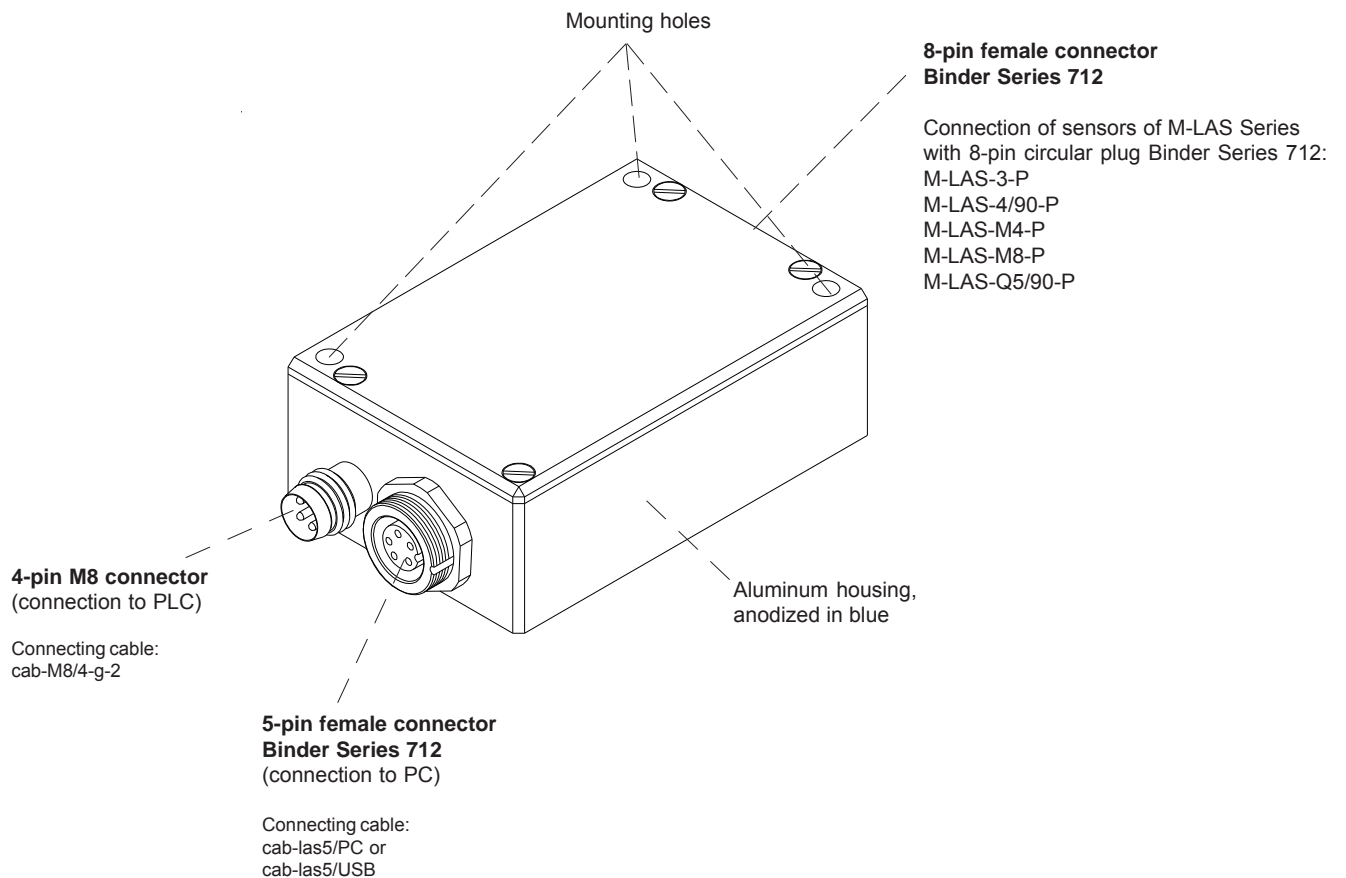


Design

Product name:

M-CON3

(incl. Windows® PC software LR-Scope)

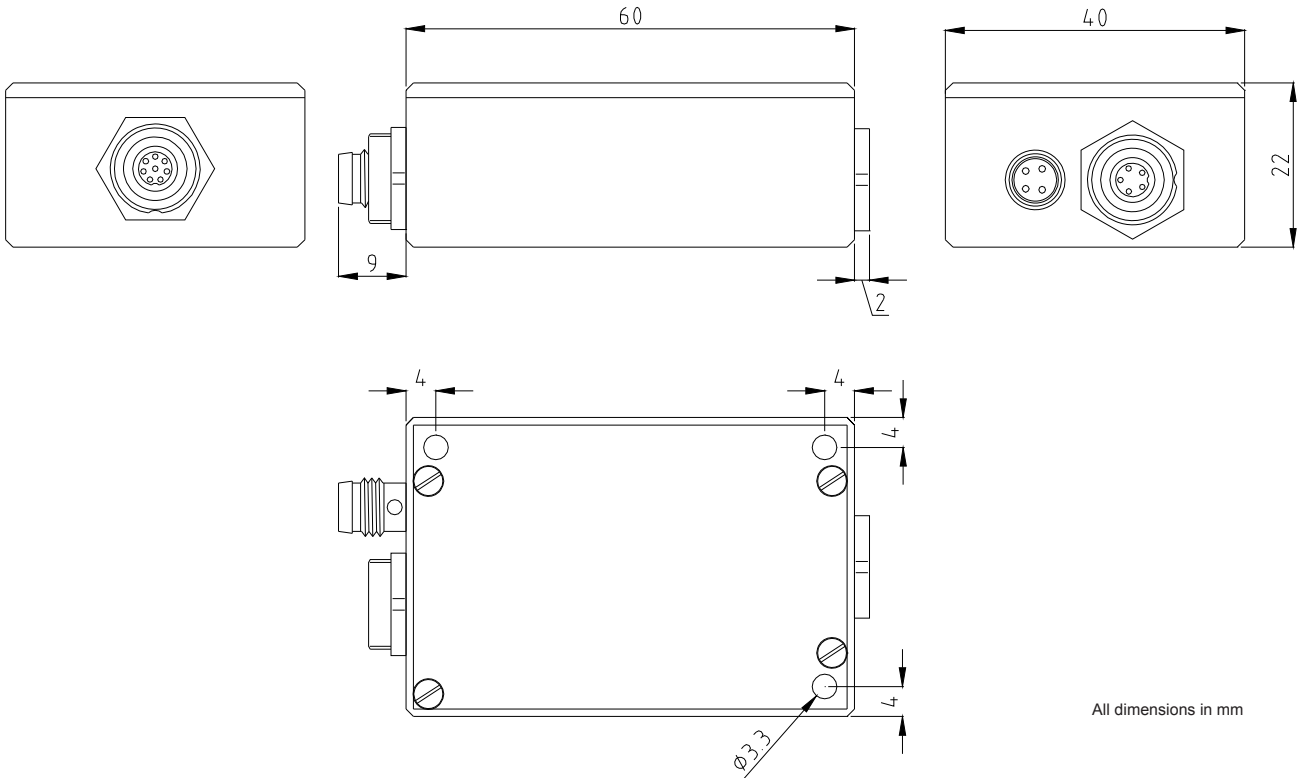




Technical Data

Model	M-CON3
Voltage supply	+12VDC ... +32VDC Ripple 10% max.
Current consumption	with M-LAS sensor: typ. 80 mA
Operating temperature range	-20°C ... +60°C
Storage temperature range	-20°C ... +85°C
Triggering accuracy	typ. < 1 µm (depends on the M-LAS sensor type used, with threshold correction being activated)
Min. detectable object	starting from 10 µm (depends on the M-LAS sensor type used)
Housing	Aluminum, anodized in blue, dimensions: approx. 60 mm x 40 mm x 22 mm
Enclosure rating	IP 64
Threshold correction	adjustable via PC
Output ANALOG	0V ... +10V
Output DIGITAL STATIC	adjustable via PC: Qinv: NPN bright-switching (NPN n.c.) / PNP dark-switching (PNP n.o) Q: PNP bright-switching (PNP n.c.) / NPN dark-switching (NPN n.o.)
Averaging	can be activated via PC
Tolerance band / threshold	can be activated via PC
Switching state indication	via orange LED, integrated in the M8 connector
Type of connector	Connection to PLC: 4-pole M8 connector Connection to PC: 5-pole female connector Binder Series 712 Connection to M-LAS sensor: 8-pole female connector Binder Series 712
Modulation frequency	typ. 20 kHz
Switching frequency	typ. 6 kHz
Max. switching current	100 mA, overcurrent-protected
Band width analog signal	1 kHz (-3dB)
EMC test acc. to	DIN EN 60947-5-2

Dimensions

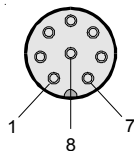


All dimensions in mm

Connector Assignment

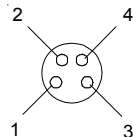
8-pin fem. connector Binder Series 712
(to M-LAS-...-P sensor)

Pin-No.:	Assignment:
1	n.c.
2	n.c.
3	n.c.
4	Receiver collector
5	n.c.
6	Receiver emitter
7	Transmitter anode
8	Transmitter cathode



4-pin M8 connector
(to PLC)

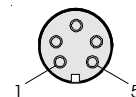
Pin-No.:	Color:	Assignment:
1	br	+Ub (+12...+32VDC)
2	ws	ANALOG (0V...+10V)
3	bl	0V (GND)
4	sw	DIGITAL OUT



Connecting cable: cab-M8/4-g-2

5-pin fem. connector Binder Series 712
(to PC)

Pin-No.:	Assignment:
1	0V (GND)
2	TX0
3	RX0
4	n.c.
5	n.c.



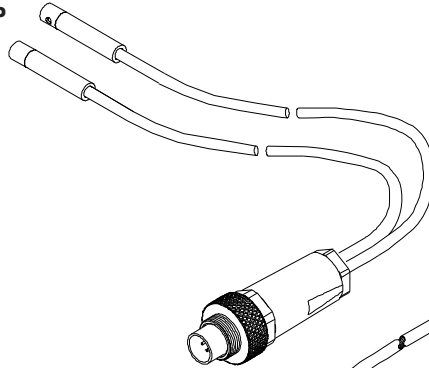
Connecting cable: cab-las5/PC



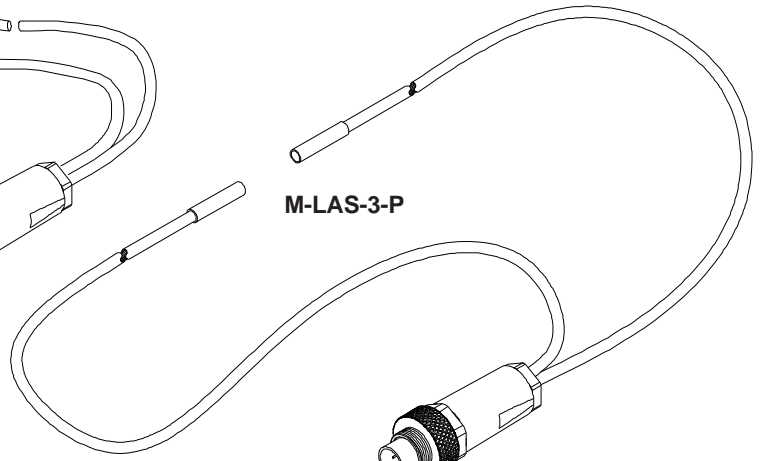
Laser Light Barriers

Sensor frontends (laser light barriers)
suitable for operation with M-CON3 electronic control unit

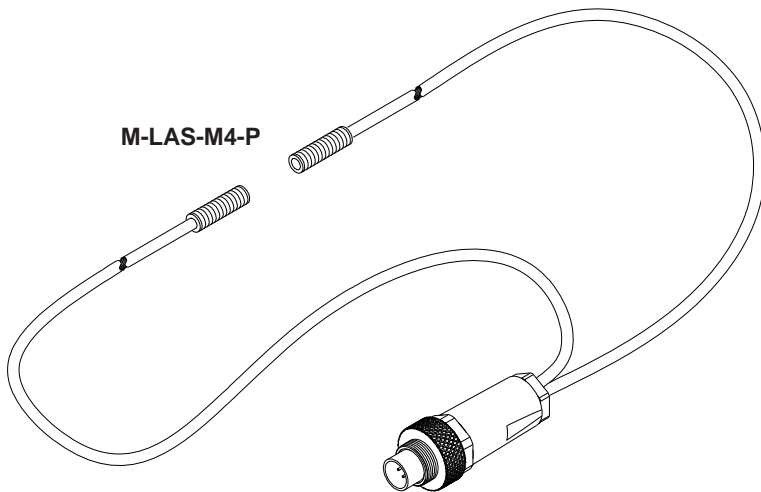
M-LAS-4/90-P



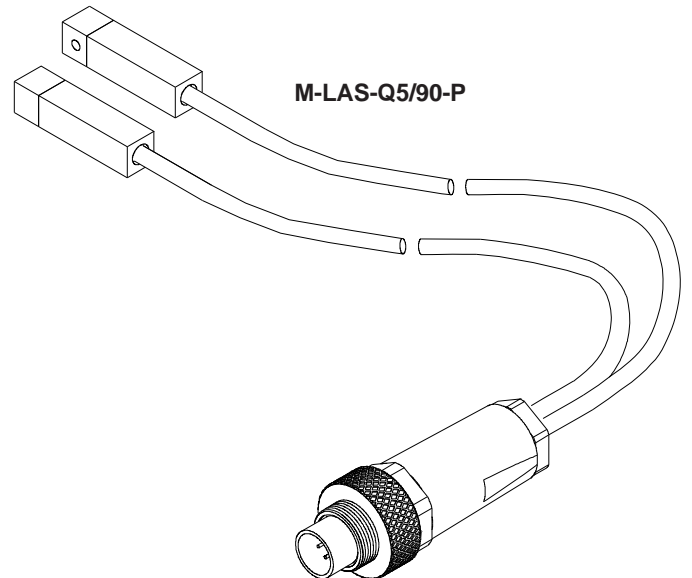
M-LAS-3-P



M-LAS-M4-P



M-LAS-Q5/90-P



M-LAS-M8-P

