

M-LAS Series

▶ M-LAS-10-RFX-IR Reflex Laser Light Barrier

- Laser beam divergence < 1 mrad
- Beam diameter at transmitter optic output < 1 mm
- Laser class 1 ($P_o < 0,4 \text{ mW}$)
- Infrared light beam (850 nm)
- Enclosure rating IP67
- Flexible cable made of PUR (oil-resistant, shielded)
- Scratch-resistant optics cover made of glass
- Small housing (made of aluminum)
- **Single operation of the light barrier is not possible!**

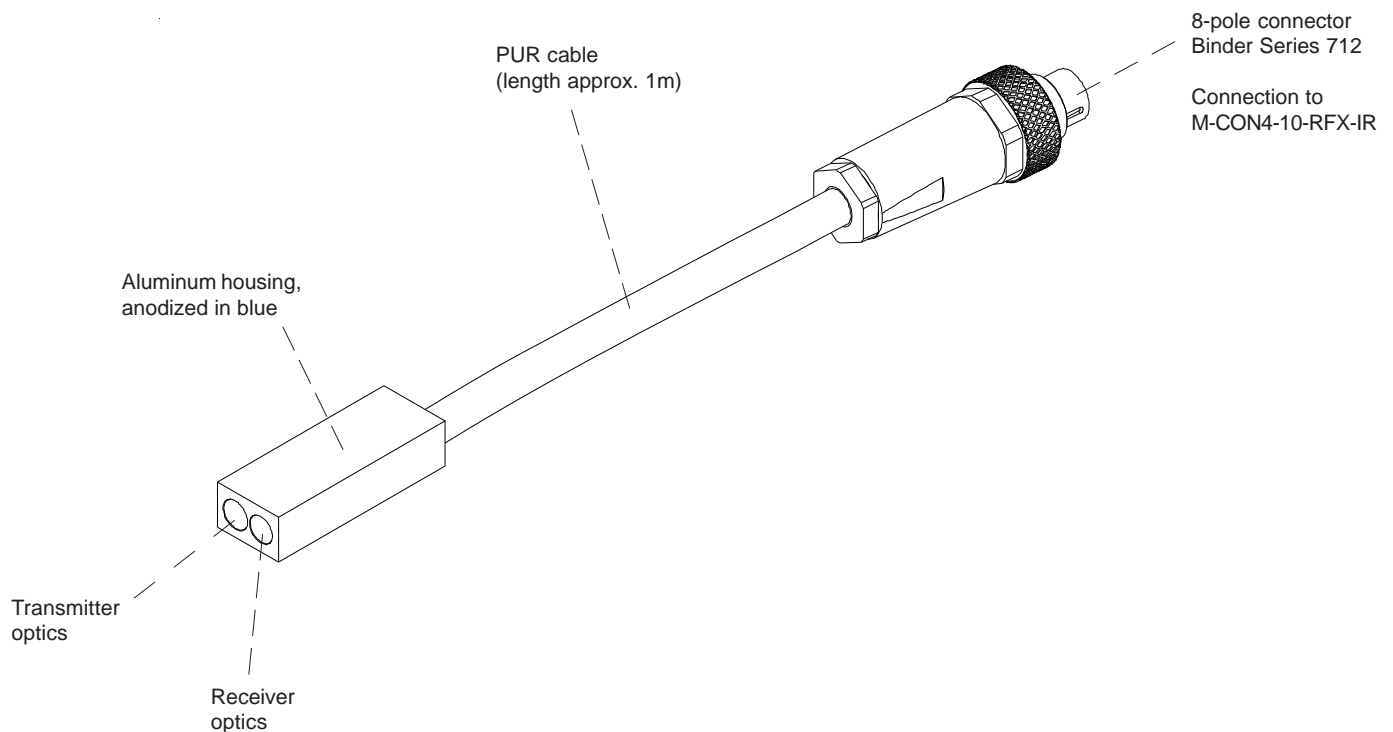


Design

Product name:


M-LAS-10-RFX-IR

for connection with M-CON4-10-RFX-IR





Technical Data

| Model | M-LAS-10-RFX-IR |
|-----------------------------|---|
| Laser | Semi-conductor laser, 850 nm, AC operation, 0,4 mW max. optical power, laser class 1 acc. to DIN EN 60825-1. The use of these laser sensor therefore requires no additional protective measures. |
| Reflector distance | max. 800 mm |
| Spot size | at housing outlet: typ. 0,7 mm at a distance of 20 mm: typ. 0,5 mm at a distance of 800 mm: typ. 2,8 mm |
| Min. detectable object | typ. 0,02 mm |
| Resolution | typ. 0,02 mm |
| Reproducibility | typ. 0,05 mm |
| Optical filter | Day light block filter RG715 |
| Optics | collimated |
| Pulsating light operation | 100 kHz |
| Ambient light | up to 5000 Lux |
| Enclosure rating | IP67 |
| Current consumption | typ. 5 mA |
| EMC test acc. to | DIN EN 60947-5-2  |
| Type of connector | Connection to M-CON4-10-RFX-IR electronic control unit via 8-pole female connector type Binder 712 |
| Operating temperature range | -20°C ... +80°C |
| Operating temperature range | -20°C ... +90°C |
| Housing | Aluminum, anodized in black |
| Housing dimensions | LxWxH approx. 30 mm x 11 mm x 7 mm |



Laser Warning

The laser transmitter M-LAS-10-RFX-IR comply with laser class 1 according to EN 60825.

The use of these laser transmitters therefore requires no additional protective measures.

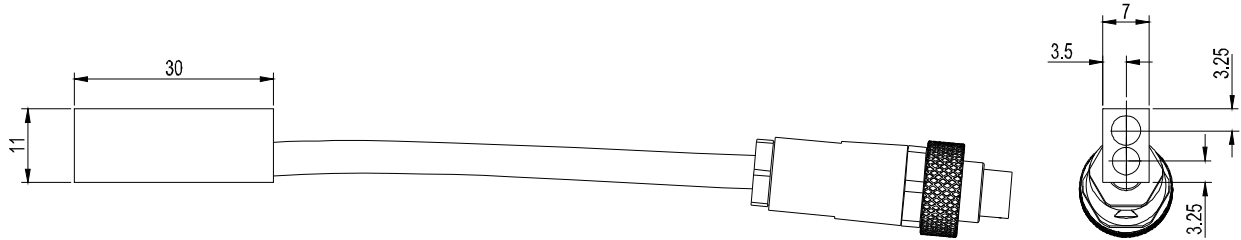


LASER CLASS 1



Dimensions

All dimensions in mm

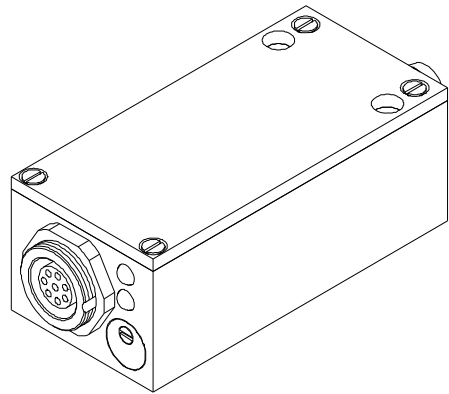
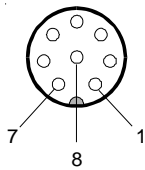


Connector Assignment

Connection of M-LAS-10-RFX-IR to M-CON4-10-RFX-IR:

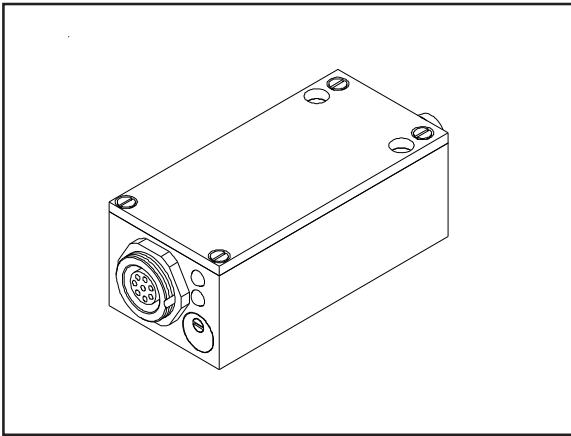
Pin No. Assignment of 8-pole connector Binder Series 712

- 1 GND (0V)
- 2 +5V
- 3 n.c.
- 4 Output receiver (/AC)
- 5 n.c.
- 6 n.c.
- 7 Transmitter anode
- 8 Transmitter cathode

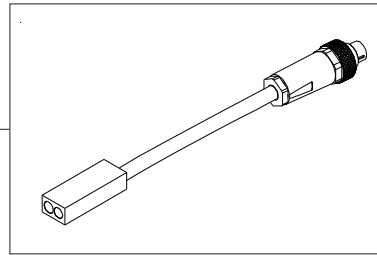




Product Line



M-CON4-10-RFX-IR
electronic control unit



M-LAS-10-RFX-IR
reflex laser light barrier