

M-LAS Series

▶ M-LAS-10-RFX-VIS Reflex Laser Light Barrier

- Laser beam divergence < 1 mrad
- Beam diameter at transmitter optic output < 1 mm
- Laser class 2 ($P_o < 1 \text{ mW}$)
- Visible laser light (red light 650 nm)
- Enclosure rating IP67
- Flexible cable made of PUR (oil-resistant, shielded)
- Scratch-resistant optics cover made of glass
- Small housing (made of aluminum)
- **Single operation of the light barrier is not possible!**

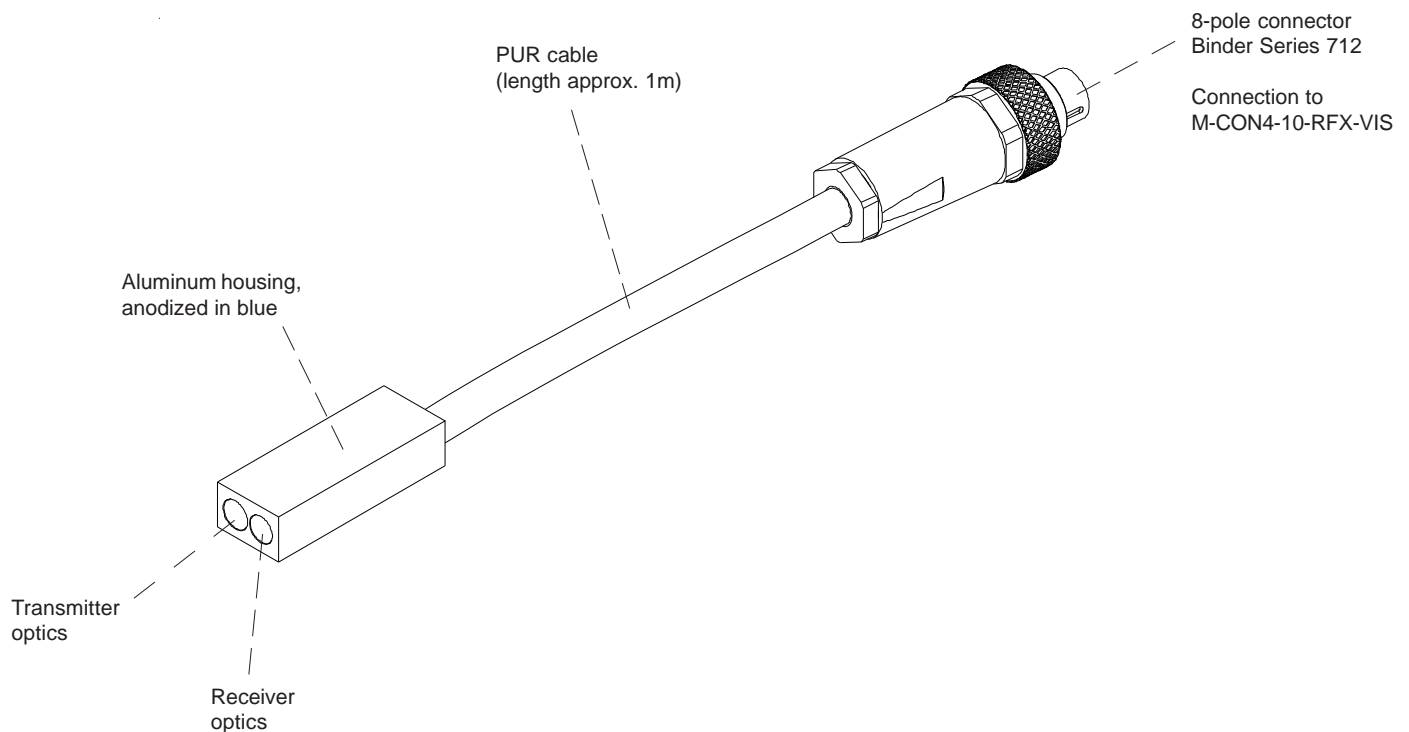


Design

Product name:


M-LAS-10-RFX-VIS

for connection with M-CON4-10-RFX-VIS





Technical Data

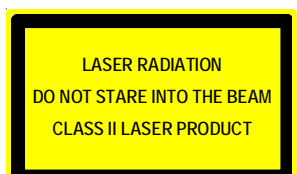
Model	M-LAS-10-RFX-VIS
Laser	Semi-conductor laser, 650 nm, AC operation, 1 mW max. optical power, laser class 2 acc. to DIN EN 60825-1. The use of these laser sensor therefore requires no additional protective measures.
Reflector distance	max. 800 mm
Spot size	at a distance of 100 mm: typ. 0,3 mm at a distance of 800 mm: typ. 5 mm
Min. detectable object	typ. 0,03 mm
Resolution	typ. 0,02 mm
Reproducibility	typ. 0,05 mm
Optical filter	Red filter OG590
Optics	focused onto 100 mm
Pulsating light operation	100 kHz
Ambient light	up to 5000 Lux
Enclosure rating	IP67
Current consumption	typ. 5 mA
EMC test acc. to	DIN EN 60947-5-2 
Type of connector	Connection to M-CON4-10-RFX-VIS electronic control unit via 8-pole female connector type Binder 712
Operating temperature range	-20°C ... +80°C
Operating temperature range	-20°C ... +90°C
Housing	Aluminum, anodized in black
Housing dimensions	LxWxH approx. 30 mm x 11 mm x 7 mm



Laser Warning

The laser transmitters of the M-LAS-10-RFX-VIS reflex laser light barrier comply with laser class 2 according to EN 60825. The use of these laser transmitters therefore requires no additional protective measures.

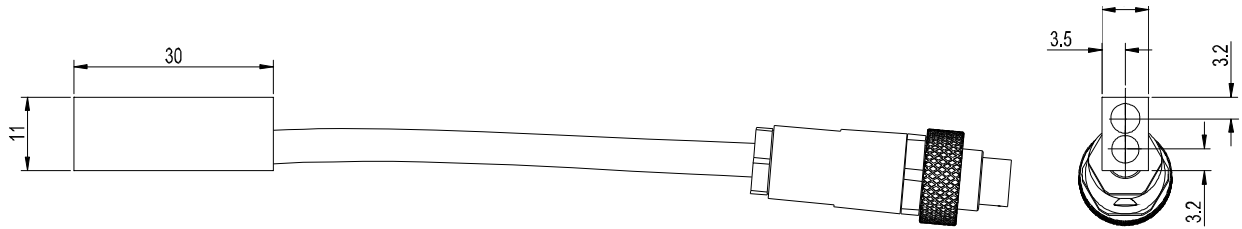
The reflex laser light barriers M-LAS-10-RFX-VIS are supplied with a laser warning label.





Dimensions

All dimensions in mm

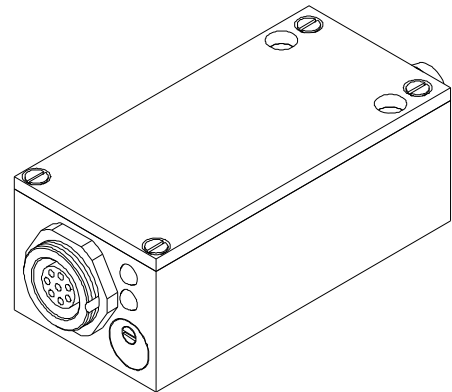
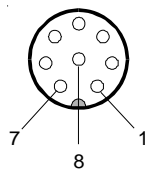


Connector Assignment

Connection of M-LAS-10-RFX-VIS to M-CON4-10-RFX-VIS:

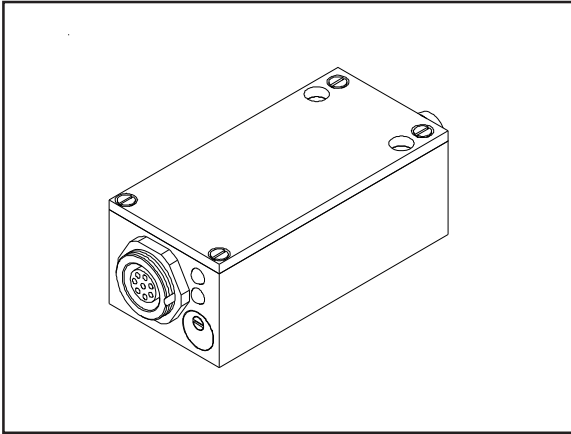
Pin No. Assignment of 8-pole connector Binder Series 712

- 1 GND (0V)
- 2 +5V
- 3 n.c.
- 4 Output receiver (/AC)
- 5 n.c.
- 6 n.c.
- 7 Transmitter anode
- 8 Transmitter cathode

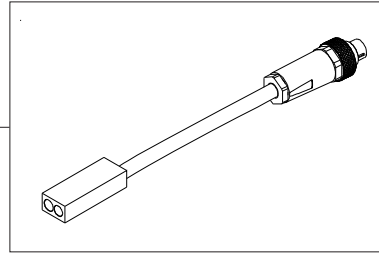




Product Line



M-CON4-10-RFX-VIS
electronic control unit



M-LAS-10-RFX-VIS
reflex laser light barrier