

Accessories

▶ **cab-las4/PC-...**
cab-las4/PC-w-...
 PC connecting cable

This SUB-D adaptor cable enables the connection of sensors to the serial RS232 interface at the PC.

- Two standard cable lengths available (2m or 5m)
- 9-pole SUB-D female connector / PC
- 4-pole circular connector Binder Series 707 / SENSOR
- Also available as a version with 90° angled plug

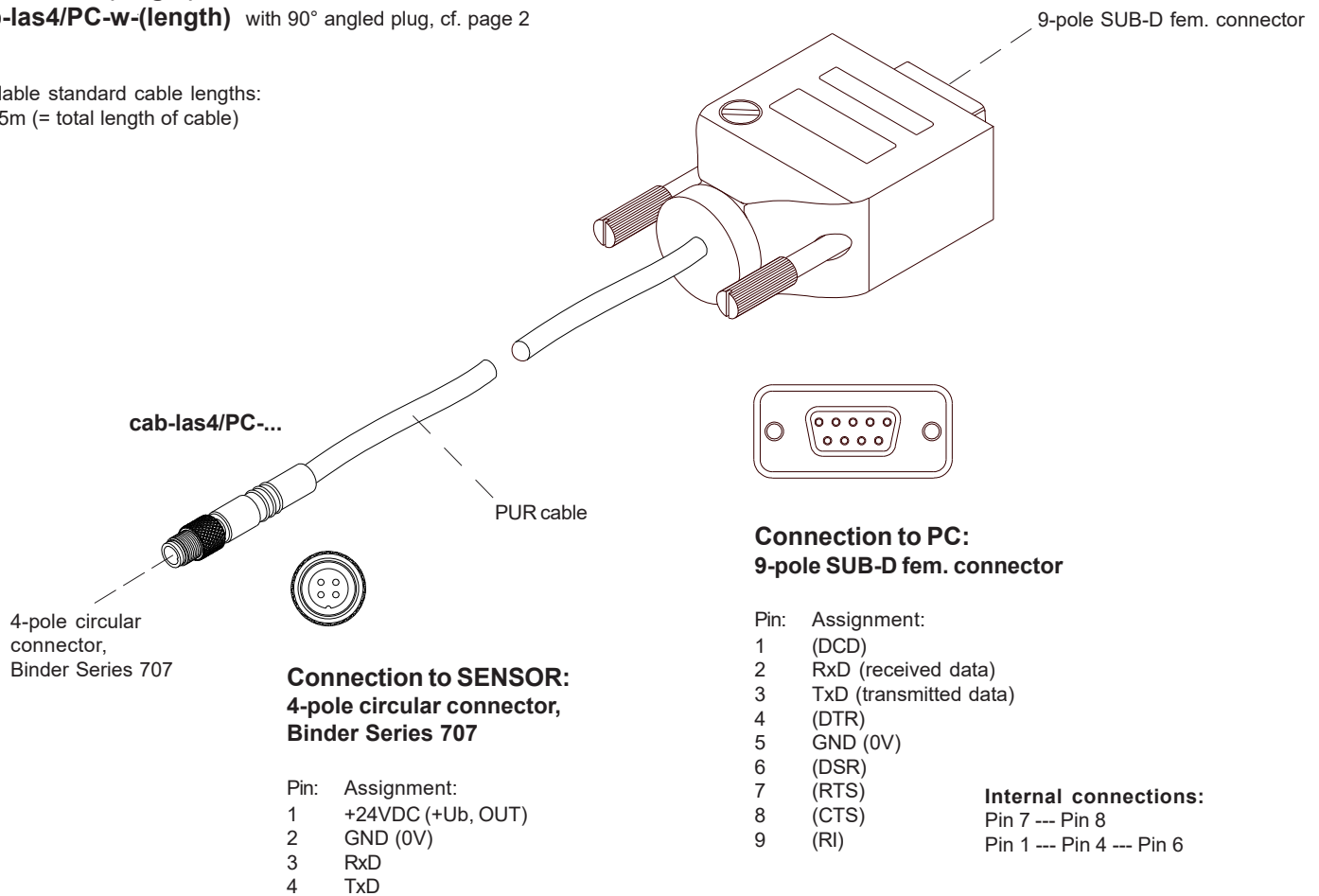


Design

Product name:

cab-las4/PC-(length)
cab-las4/PC-w-(length) with 90° angled plug, cf. page 2

Available standard cable lengths:
 2m, 5m (= total length of cable)

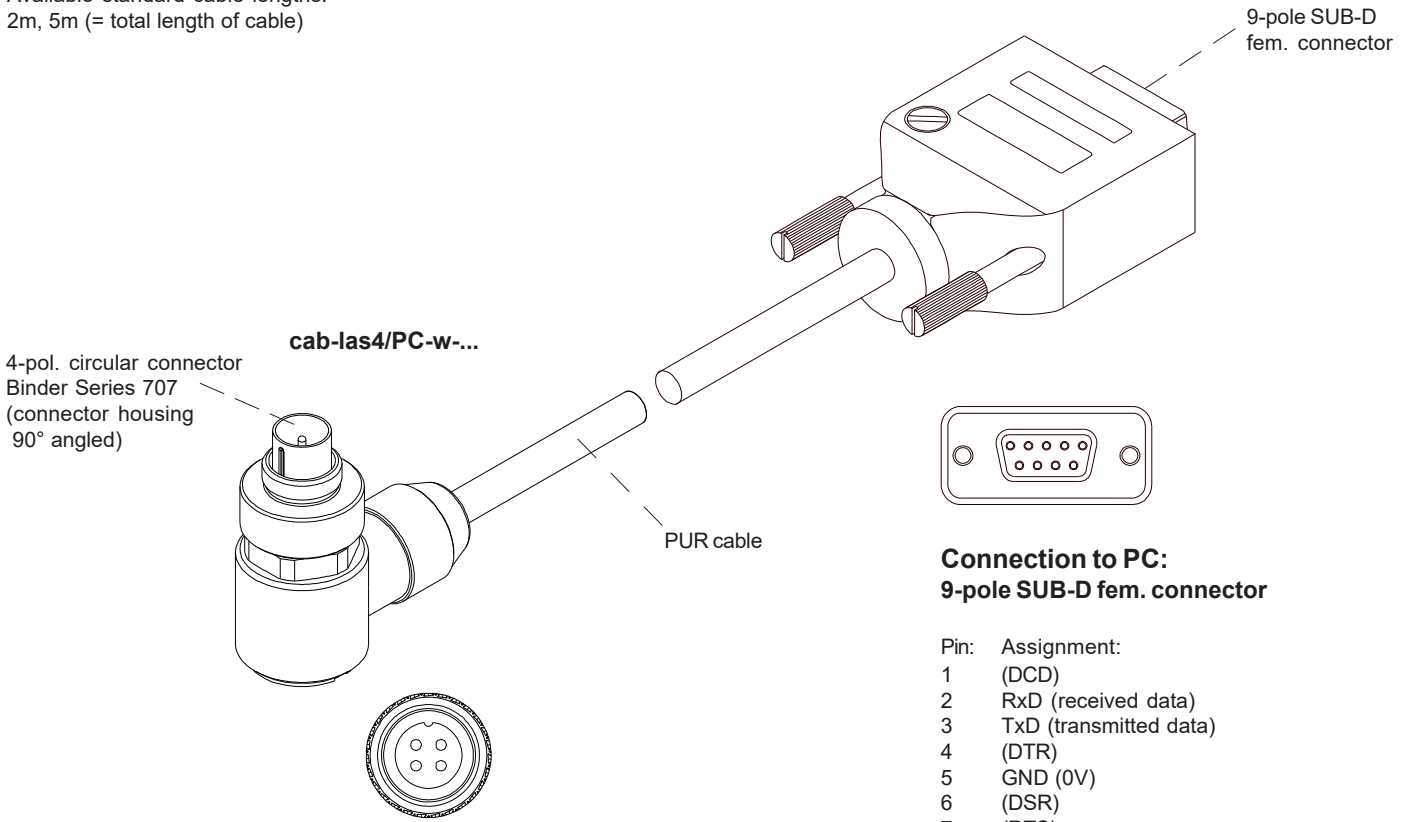




Variant Angled Plug

cab-las4/PC-w-(length) with 90° angled plug

Available standard cable lengths:
2m, 5m (= total length of cable)



**Connection to SENSOR:
4-pole circular connector,
Binder Series 707**

Pin:	Assignment:
1	+24VDC (+Ub, OUT)
2	GND (0V)
3	RxD
4	TxD

**Connection to PC:
9-pole SUB-D fem. connector**

Pin:	Assignment:
1	(DCD)
2	RxD (received data)
3	TxD (transmitted data)
4	(DTR)
5	GND (0V)
6	(DSR)
7	(RTS)
8	(CTS)
9	(RI)

Internal connections:
Pin 7 --- Pin 8
Pin 1 --- Pin 4 --- Pin 6